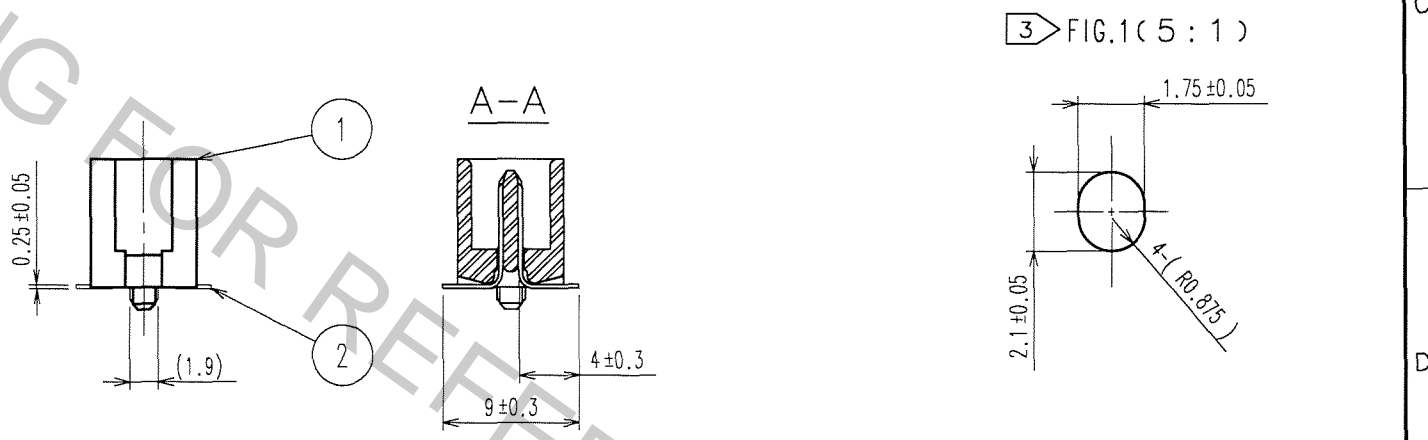
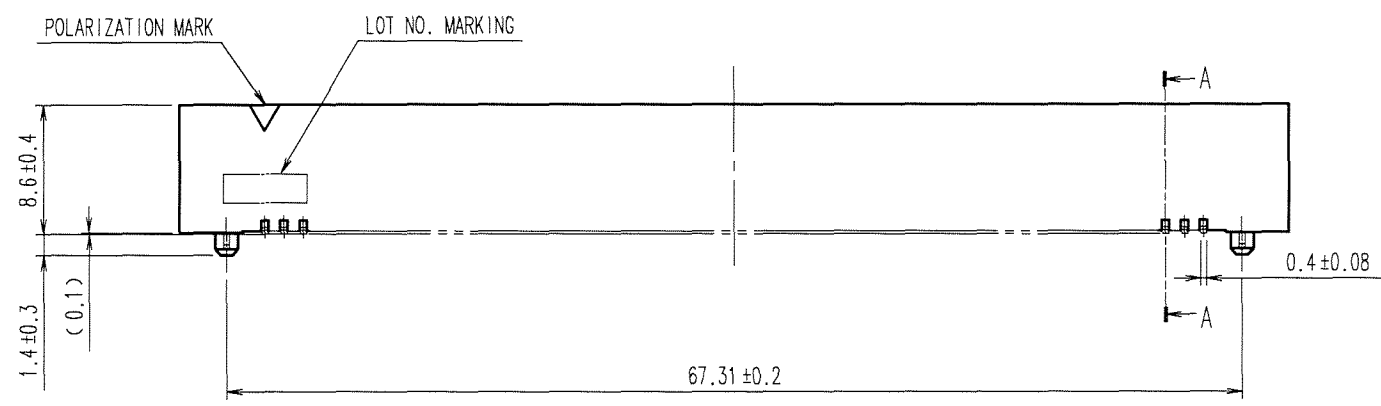
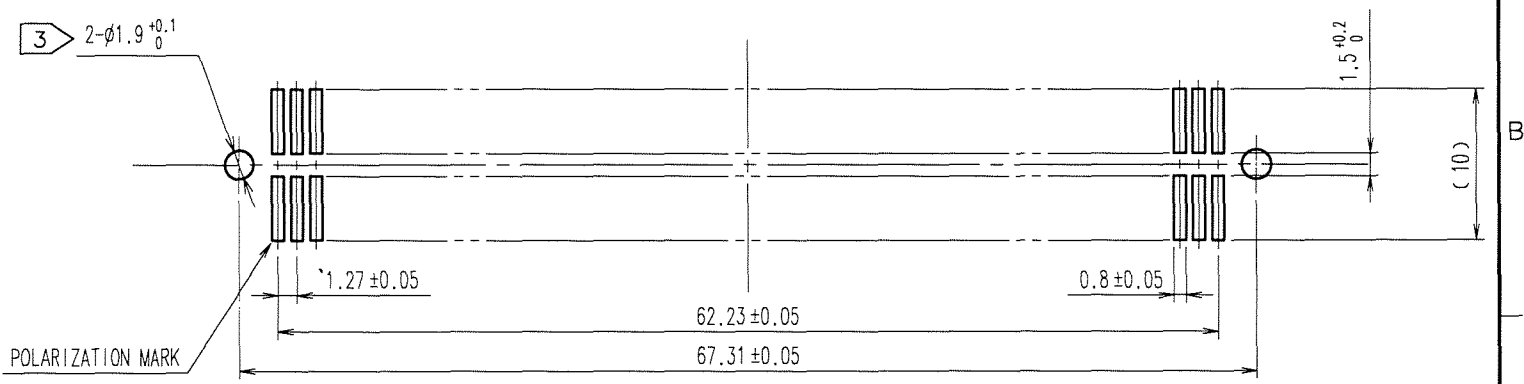
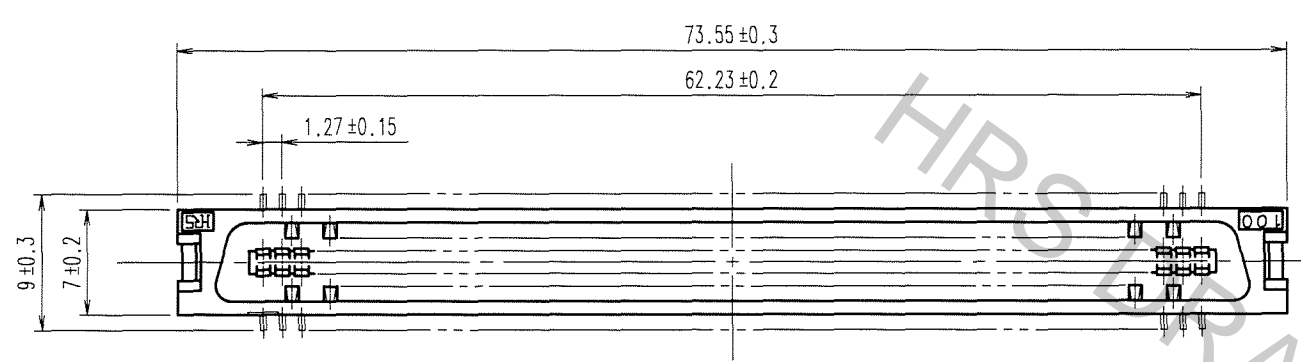


Apr.1.2017 Copyright 2017 HIROSE ELECTRIC CO., LTD. All Rights Reserved.

COUNT	DESCRIPTION OF REVISIONS	BY	CHKD	DATE	COUNT	DESCRIPTION OF REVISIONS	BY	CHKD	DATE
△					△				
△					△				
△					△				

RECOMMENDED LAND PATTERN DIMENSION OF PCB (MOUNTING SIDE)



- NOTES
- 1 LEAD CO-PLANARITY SHALL BE 0.15 MAX.
  - 2 THE DIMENSIONS IN PARENTHESES ARE FOR REFERENCE.
  - 3 IN CASE OF THE AUTOMATED MOUNTING, RECOMMENDED HOLE DIAMETER OF BOSS IS SHOWN IN FIG.1.

1	PPS	LIGHT BROWN (UL94V-0)	2	PHOSPHOR BRONZE	CONTACT AREA: GOLD 0.2μ m min. LEAD AREA: TIN-PLATING 2μ m min. UNDER PLATING: NICKEL 2μ m min.
NO.	MATERIAL	FINISH, REMARKS	NO.	MATERIAL	FINISH, REMARKS
CODE NO. (OLD) CL		DRAWN A. SUZUKAWA 06.04.06	DESIGNED H. Nakamura 06.04.06	CHECKED H. Ogawa 06.04.06	APPROVED H. Okawa 06.04.06
DRAWING NO. EDC3-082410-21		PART NO. FX2-100P-1.27SV(71)		CODE NO. CL572-2008-8-71	
SCALE 2 : 1		UNITS mm		HRS HIROSE ELECTRIC CO., LTD	

TO