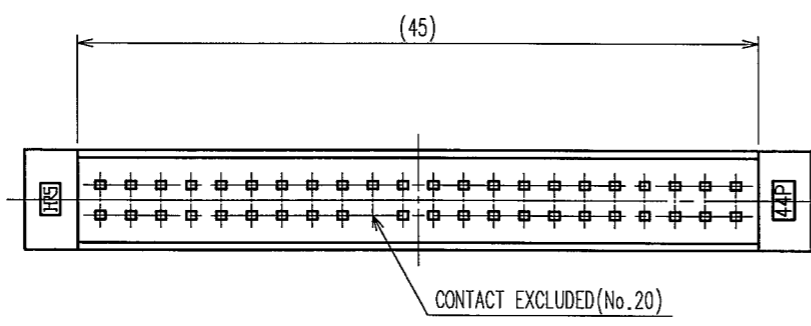
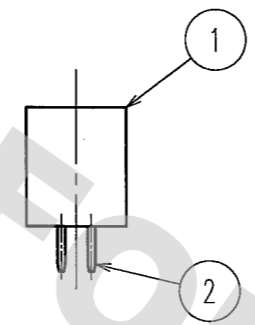
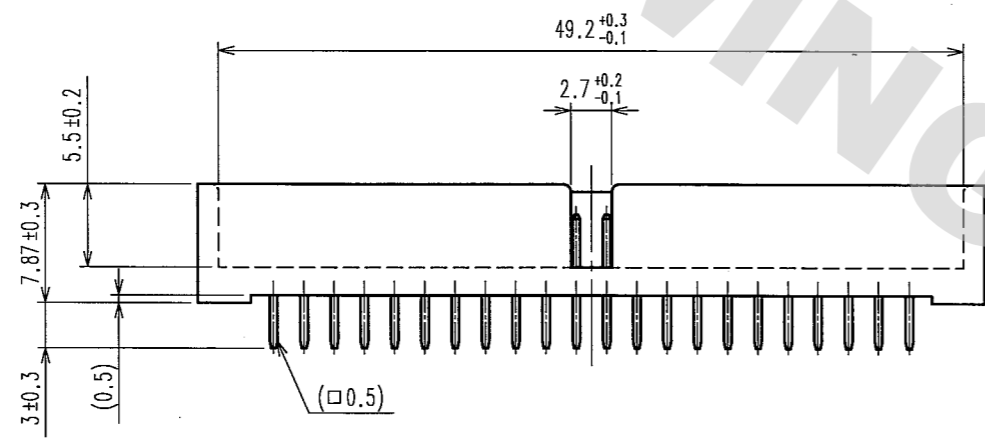
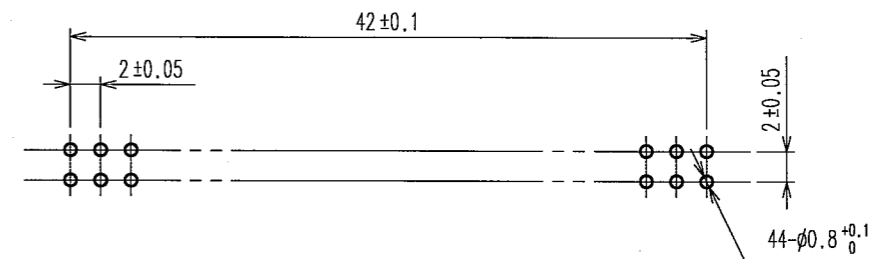
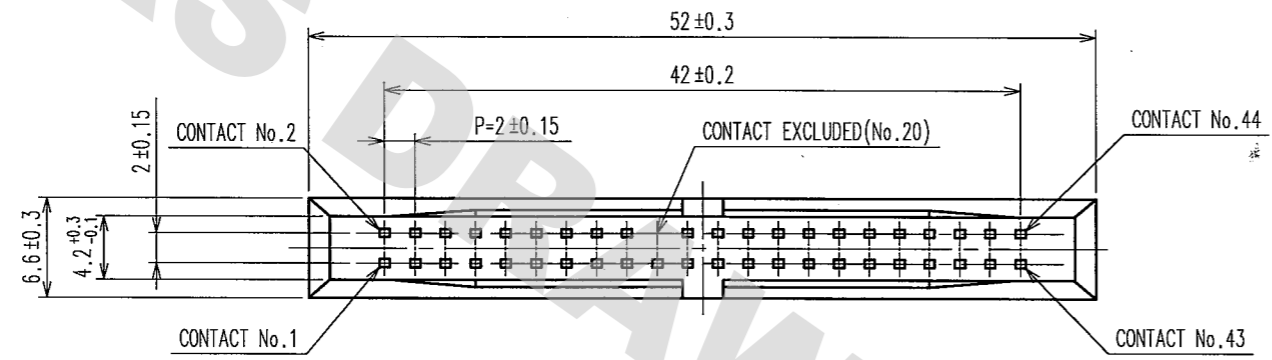


1 2 3 4 5 6 7 8

COUNT	DESCRIPTION OF REVISIONS	BY	CHKD	DATE	COUNT	DESCRIPTION OF REVISIONS	BY	CHKD	DATE
△				..	△				..
△				..	△				..
△				..	△				..



RECOMMENDED PC BOARD HOLE PATTERN

NOTE 1 THE DIMENSIONS IN PARENTHESES ARE FOR REFERENCE.

DRAWING FOR REFERENCE: This is subject to change without notice
08/11/2012

TO
PCK

1	POLYAMIDE	BLACK	UL94V-0	2	BRASS	CONTACT AREA:GOLD PLATED 0.2μ m min. MOUNTING AREA:TIN PLATING 2μ m min. UNDER PLATING:NICKEL 2.5μ m min.			
NO.	MATERIAL	FINISH, REMARKS		NO.	MATERIAL	FINISH, REMARKS			
CODE NO. (OLD) CL				DRAWN	DESIGNED	CHECKED	APPROVED	RELEASED	
				H.OZAWA	H. Ozawa	H. Ozawa	H. Ozawa		
				'06.01.26	'06.01.26	'06.01.26	'06.01.26		
DRAWING NO. EDC3-082336-22				PART NO. A3E-44PA-2DSA(81)					
SCALE 2 : 1				CODE NO. CL621-0911-8-81					
UNITS mm				HRS HIROSE ELECTRIC CO., LTD					

1 2 3 4 5 6 7 8

