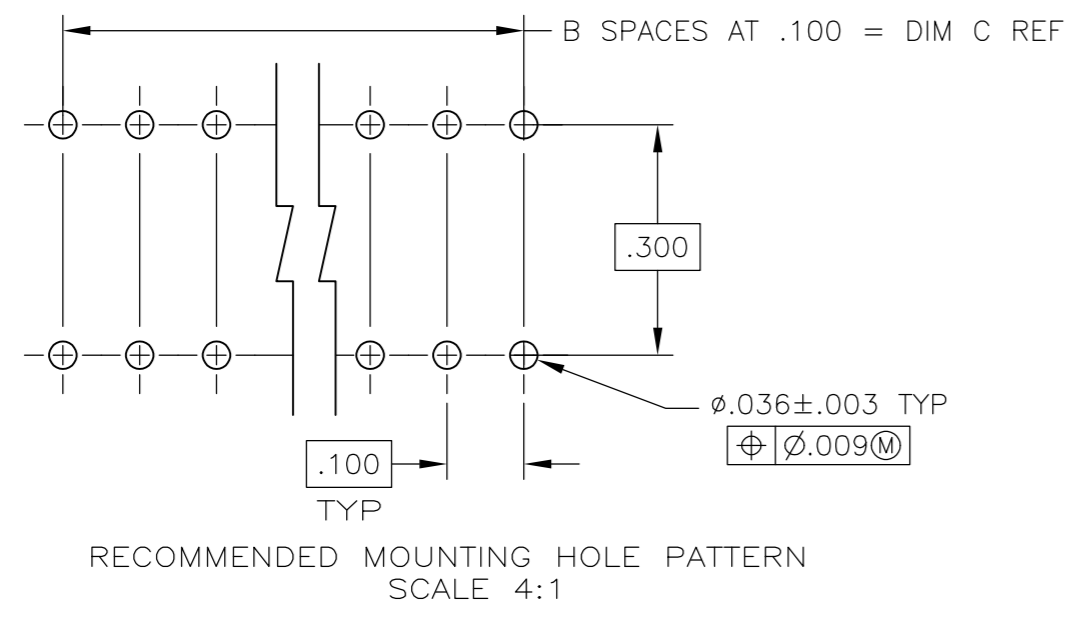
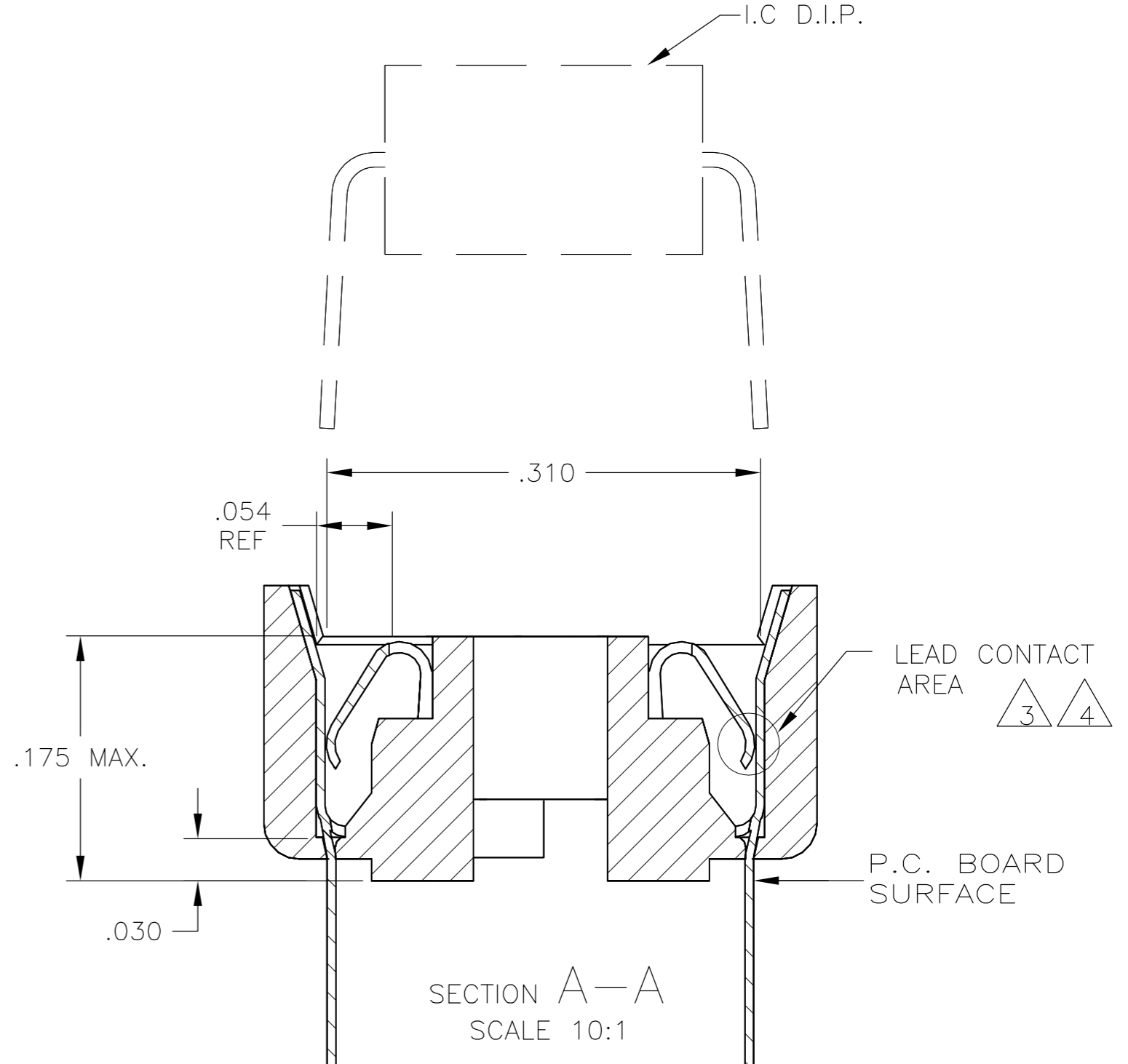
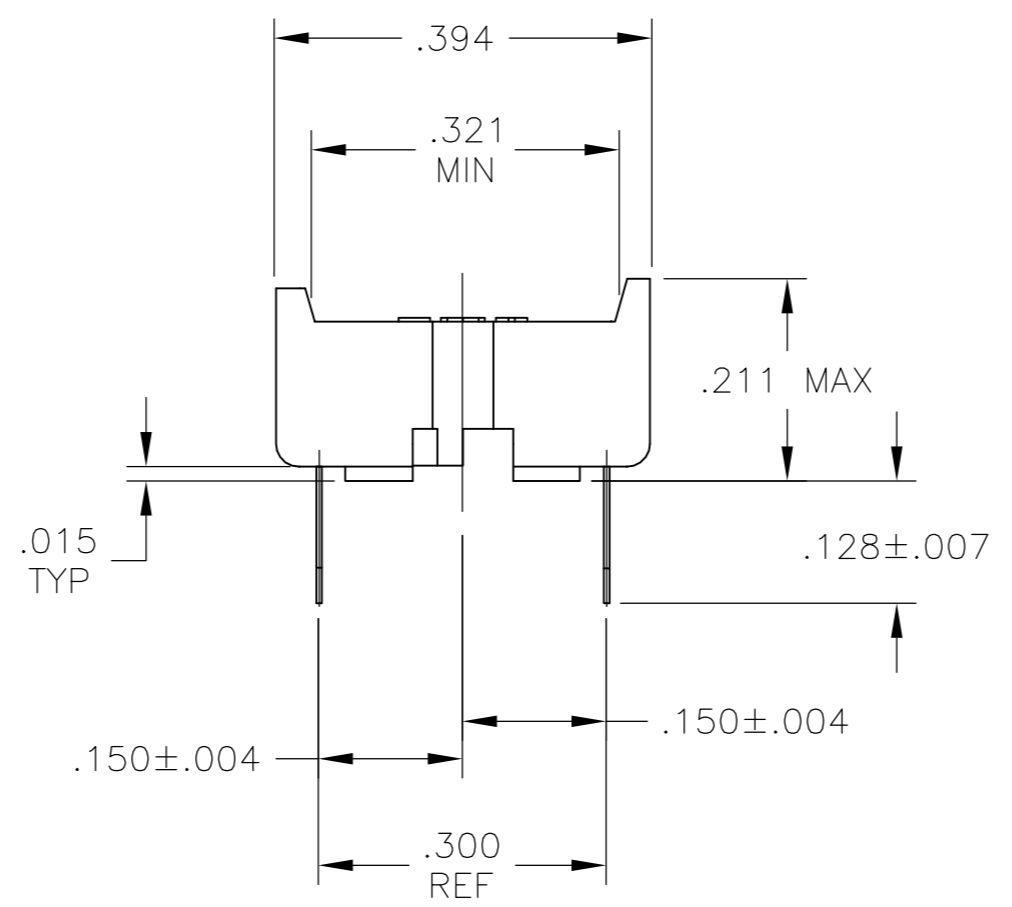
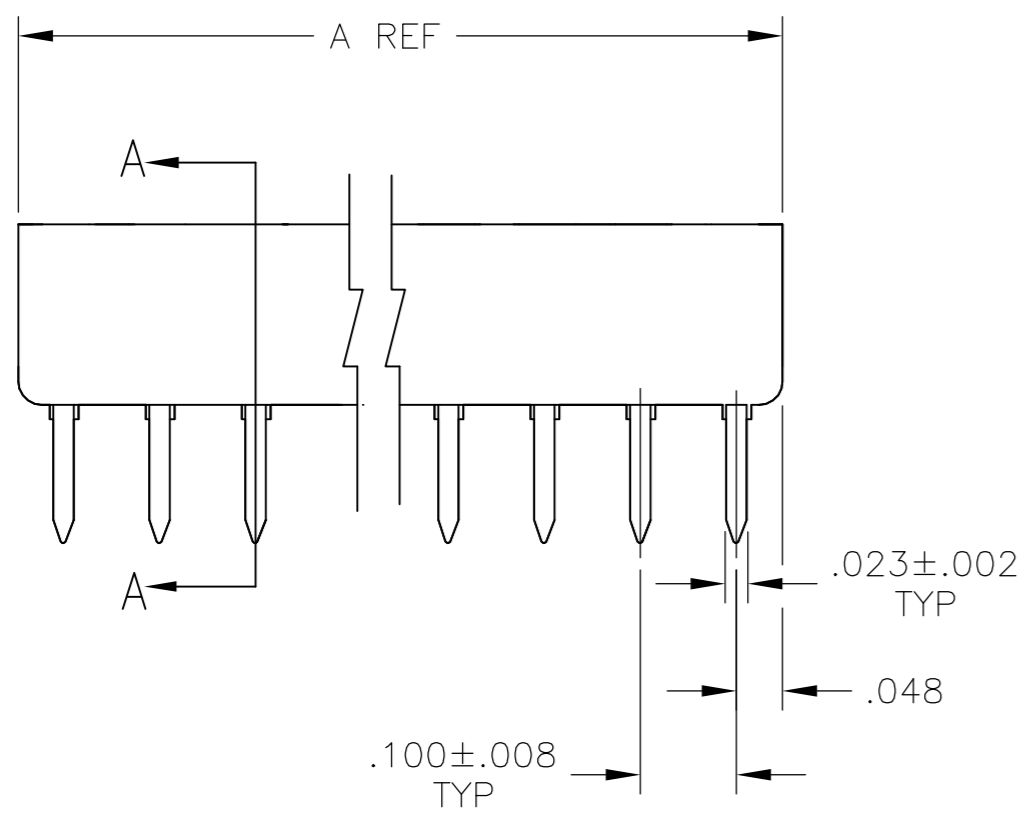
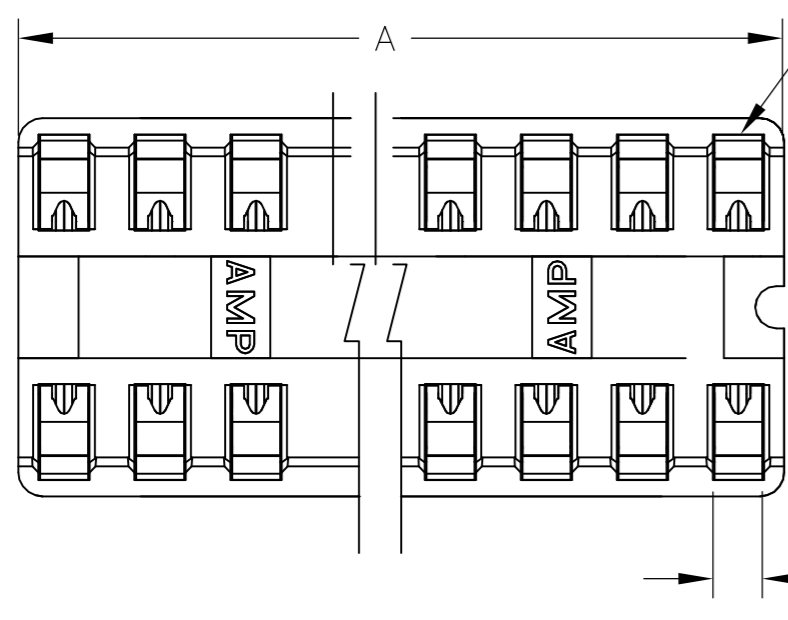


THIS DRAWING IS UNPUBLISHED. RELEASED FOR PUBLICATION
 © COPYRIGHT - By - ALL RIGHTS RESERVED.

LOC		DIST		REVISIONS			
P	LTR	DESCRIPTION		DATE	DWN	APVD	
B		ECR-13-018647		14MAR2014	W.W	C.W	



- 1 RECEPTACLE ACCEPTS A .008-.014 THICK I.C. LEAD.
- 2 TUBE LOADED FOR AUTOMATIC INSERTION.
- 3 BECU CONTACT - PLATED WITH TWO .000030 MIN THK. GOLD STRIPES IN CONTACT AREA WITH TIN ON CONTACT LEGS, BALANCE OF CONTACT NICKEL PLATED.
- 4 PHOS. BRZ CONTACT - PLATED WITH TWO .000015 MIN THK. GOLD STRIPES IN CONTACT AREA WITH TIN ON CONTACT LEGS, BALANCE OF CONTACT NICKEL PLATED.
- 5 GLASS FILLED THERMOPLASTIC, 94V-0, BLACK

CONTACT & FINISH	DIM. C	B	SPCS	DIM. A	POSITION	PART NO.
(B) OBSOLETE	3	1.100	11	1.195	24	1-1825094-7
(B) OBSOLETE	3	.900	9	.995	20	1-1825094-6
(B) OBSOLETE	3	.800	8	.895	18	1-1825094-5
(B) OBSOLETE	3	.700	7	.795	16	1-1825094-4
(B) OBSOLETE	3	.600	6	.695	14	1-1825094-3
(B) OBSOLETE	3	.300	3	.395	8	1-1825094-2
(B) OBSOLETE	3	.200	2	.295	6	1-1825094-1
(B) OBSOLETE	4	1.100	11	1.195	24	1825094-7
(B) OBSOLETE	4	.900	9	.995	20	1825094-6
(B) OBSOLETE	4	.800	8	.895	18	1825094-5
(B) OBSOLETE	4	.700	7	.795	16	1825094-4
(B) OBSOLETE	4	.600	6	.695	14	1825094-3
(B) OBSOLETE	4	.300	3	.395	8	1825094-2
(B) OBSOLETE	4	.200	2	.295	6	1825094-1

THIS DRAWING IS A CONTROLLED DOCUMENT.

DIMENSIONS: INCHES

TOLERANCES UNLESS OTHERWISE SPECIFIED:

0 PLC	±	-
1 PLC	±	-
2 PLC	±	-
3 PLC	±	.005
4 PLC	±	-
ANGLES	±	0°30'

MATERIAL: SEE TABLE

FINISH: SEE TABLE

DWN: B.S.VISWESWARA

CHK: K WRIGHT

APVD: -

PRODUCT SPEC: 108-1066

APPLICATION SPEC: 114-1049

WEIGHT: -

CUSTOMER DRAWING

TE Connectivity

DIP SOCKET ASSY, LADDER, DIPLOMATE, .300 CL, LEAD FREE

SIZE: A2

CAGE CODE: 00779

DRAWING NO: C=1825094

RESTRICTED TO: -

SCALE: 5:1

SHEET: 1 of 1

REV: B