

## Standard Mini Servo (#900-00010)

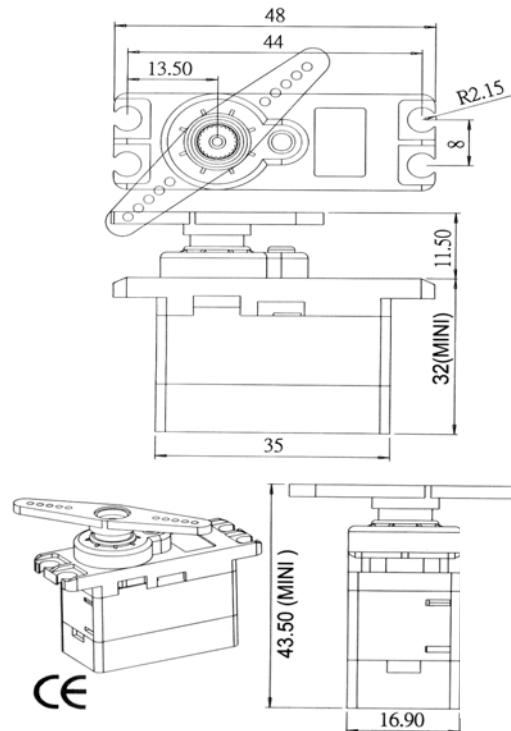
### General Information

The Parallax Mini standard servo is ideal for small robotics and basic movement projects. These servos will allow a movement range of 0 to 180 degrees.



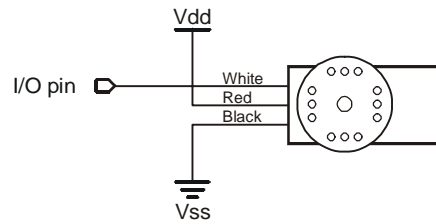
### Technical Specifications

- > Power 4.8vdc to 6vdc max
- > Speed 0 deg to 180 deg in .5 seconds on average
- > Weight 26.6 grams/.94oz
- > Torque 2.8 kg-cm/39oz-in
- > Size mm (L x W x H)  
40.5x20.0x38.0
- > Size in (L x W x H)  
1.38x.67x1.26



Measurements are in mm

# Wiring setup



The servo is controlled by pulsing of its signal line. If you are using a Basic Stamp this is done with the pulsout command. Below is stamp code that will help you with basic control of a servo. The codes below may not move the servos from on extreme to another but is will give you a general demonstration on function.

## 'Stamp1

```
symbol temp = w0
start:
    for temp = 70 to 250 step - 1
        pulsout 0,temp
        pause 50
    next
    for temp = 250 to 70
        pulsout 0,temp
        pause 50
    next
goto start
```

## 'Stamp 2 ,2e,2pe

```
temp VAR Word
start:
    FOR temp = 1200 TO 305
        PULSOUT 0,temp
        PAUSE 20
    NEXT
    FOR temp = 305 TO 1200
        PULSOUT 0,temp
        PAUSE 20
    NEXT
GOTO start
```

## 'Stamp 2sx,2p24/40

```
temp var word
start:
    for temp = 500 to 3000
        pulsout 0,temp
        pause 50
    next
    for temp = 3000 to 500
        pulsout 0,temp
        pause 50
    next
goto start
```