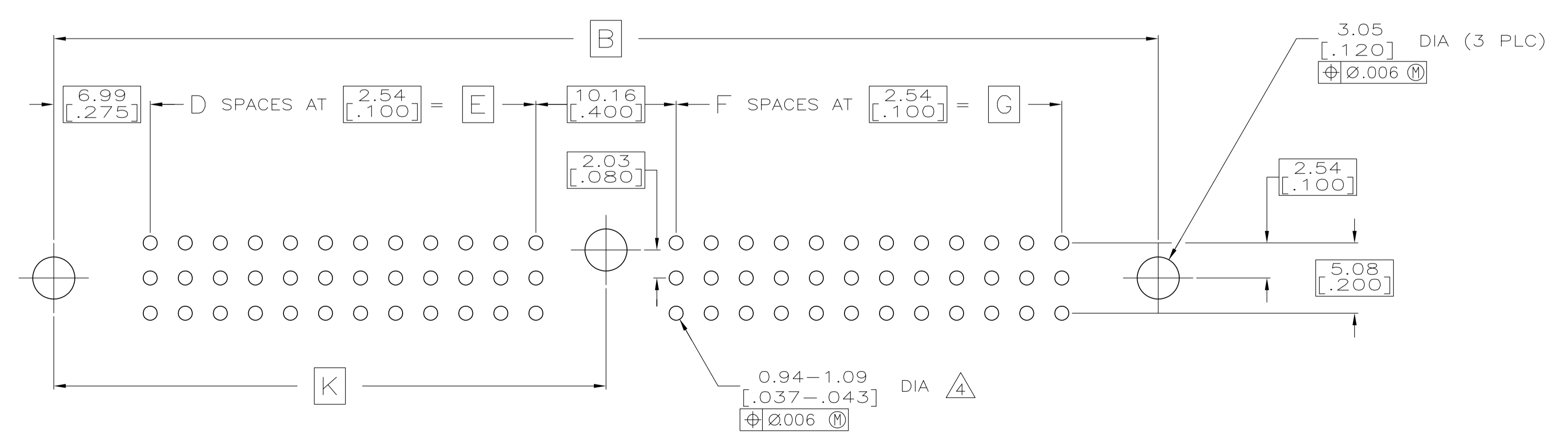
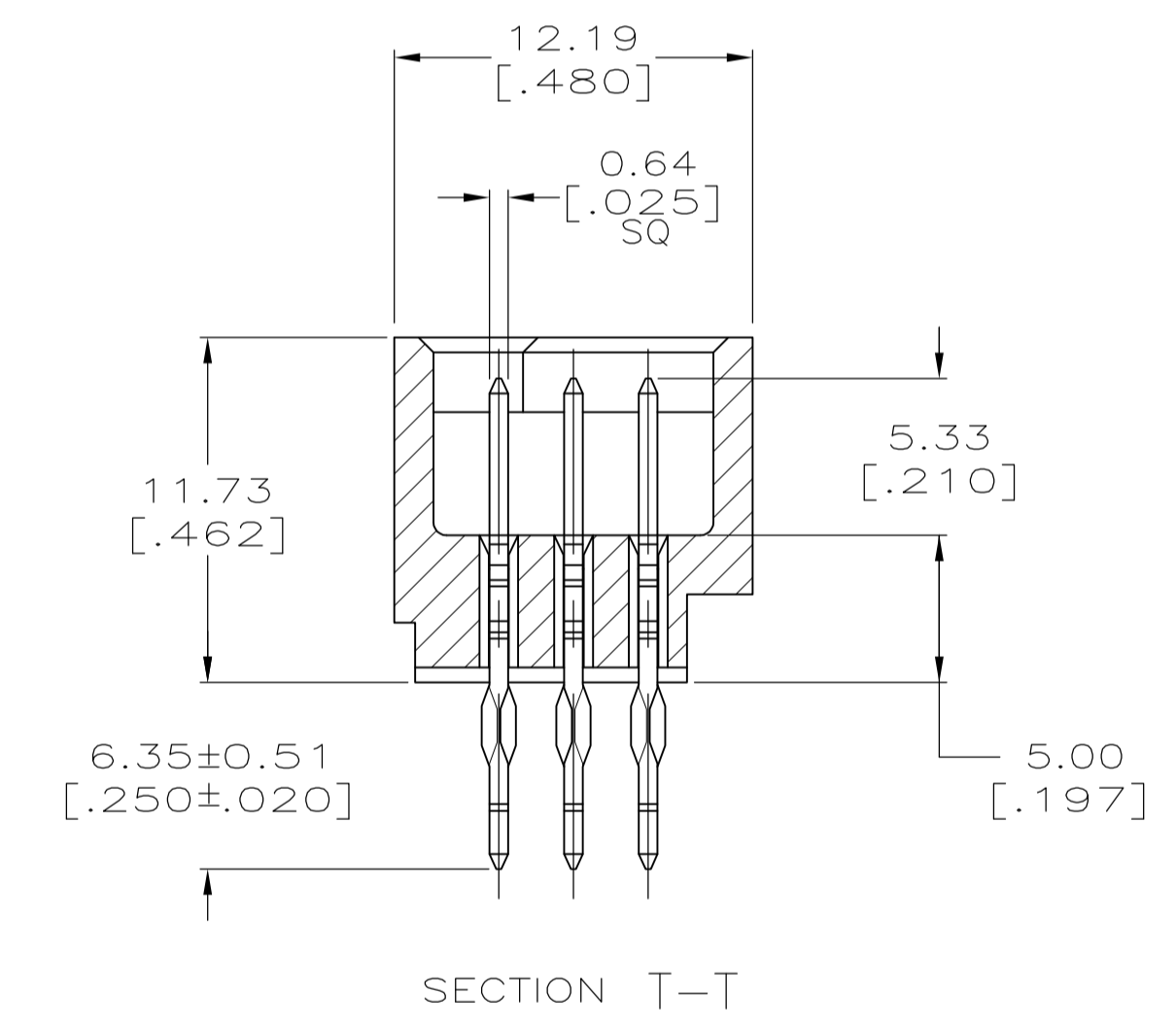
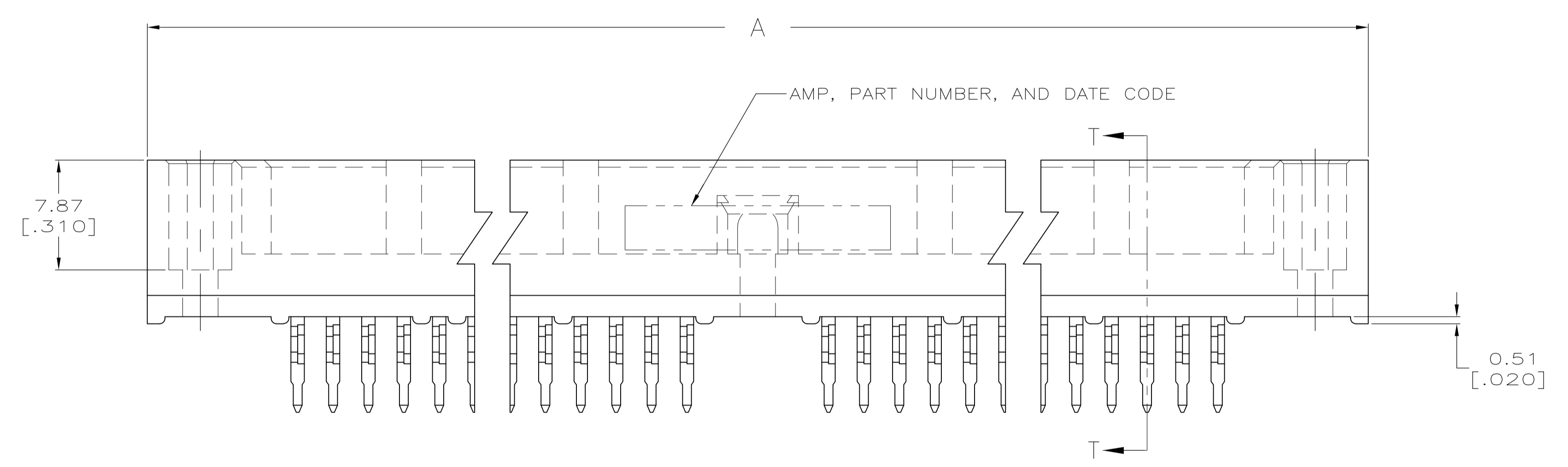
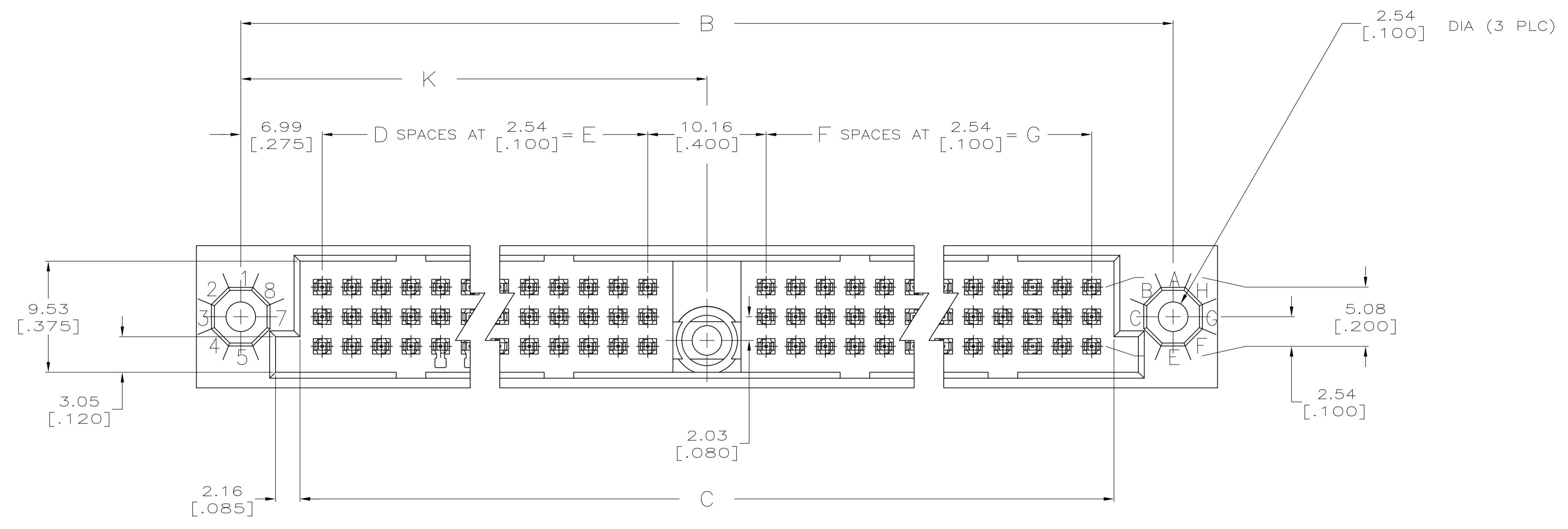


LOC		DIST		REVISIONS			
P	LTR	DESCRIPTION	DATE	DN	APVD		
J		REVISED PER EC 0512-0287-05	10DEC05	JDP	AMS		
J1		REVISED PER ECO-09-021510	12SEP09	KK	AEG		



RECOMMENDED P.C. BOARD LAYOUT

THIS DRAWING IS A CONTROLLED DOCUMENT.		DIN R.K. SEIFRIED 04/11/90	Tyco Electronics Corporation Harrisburg, PA 17105-3608
DIMENSIONS: mm [INCHES]		CHK F. KIBLER 8-11-92	
TOLERANCES UNLESS OTHERWISE SPECIFIED:		APVD	NAME
0 PLC ± -	1 PLC ± -	HDI, 3 ROW, PIN ASSEMBLY,	
2 PLC ± -	3 PLC ± 0.13 [.005]	ONE CENTER GUIDE PIN, 6.35[.250]	
4 PLC ± -	ANGLES ± -	LONG ACTION PINS, 0.00076[.000030] GOLD PLATE	
MATERIAL	FINISH	SIZE	CAGE CODE DRAWING NO
		WEIGHT	A1 00779 C=533294
CUSTOMER DRAWING		SCALE	4:1 SHEET 1 OF 2 REV J1

- ① HOUSING MATERIAL: THERMOPLASTIC, COLOR-NATURAL.
- ② CONTACT MATERIAL: PHOSPHOR BRONZE.
- ③ CONTACT FINISH: .00127-.00254 [.000050-.000100] NICKEL UNDERPLATE ALL OVER; .00076 [.000030] GOLD PLATE IN CONTACT AREA, TIN-LEAD PLATED POSTS.
- ④ ACTION PIN POSTS REQUIRE 2.36 [.093] MIN THICK P.C. BOARD. RECOMMENDED P.C. BOARD HOLES ARE 1.151 [.0453] DIA PLATED THRU WITH 0.025-0.076 [.001-.003] COPPER; WITH 0.0076 [.0003] MIN TIN-LEAD PLATING; FINISHED HOLE AFTER PLATING 0.94-1.09 [.037-.043] DIA.
- ⑤ PART NUMBER IS OBSOLETE.
- ⑥ OBSOLETE PARTS: OBSOLETE CIS STREAMLINING PER D.RENAUD/D.SINISI

⑤	164.46 [6.475]	152.40 [6.000]	-60	152.40 [6.000]	-60	318.77 [12.550]	328.93 [12.950]	336.55 [13.250]	-366	533294-8
⑤	156.84 [6.175]	144.78 [5.700]	-57	144.78 [5.700]	-57	303.53 [11.950]	313.69 [12.350]	321.31 [12.650]	-348	533294-7
	149.22 [5.875]	137.16 [5.400]	54	137.16 [5.400]	54	288.29 [11.350]	298.45 [11.750]	306.07 [12.050]	330	533294-6
⑥	141.60 [5.575]	129.54 [5.100]	51	129.54 [5.100]	51	273.05 [10.750]	283.21 [11.150]	290.83 [11.450]	312	533294-5
⑤	133.98 [5.275]	121.92 [4.800]	-48	121.92 [4.800]	-48	257.81 [10.150]	267.97 [10.550]	275.59 [10.850]	-294	533294-4
⑤	126.36 [4.975]	114.30 [4.500]	-45	114.30 [4.500]	-45	242.57 [9.550]	252.73 [9.950]	260.35 [10.250]	-276	533294-3
⑤	118.74 [4.675]	106.68 [4.200]	-42	106.68 [4.200]	-42	227.33 [8.950]	237.49 [9.350]	245.11 [9.650]	-258	533294-2
	111.12 [4.375]	99.06 [3.900]	39	99.06 [3.900]	39	212.09 [8.350]	222.25 [8.750]	229.87 [9.050]	240	533294-1
	K	G	F	E	D	C	B	A	POSN	PART NUMBER

⑥ OBSOLETE

THIS DRAWING IS A CONTROLLED DOCUMENT.		DIN R. K. SEIFRIED 04/11/90	Tyco Electronics Corporation Harrisburg, PA 17105-3608	
DIMENSIONS: mm [NCHES]		CHK F. KIBLER 8-11-92	NAME HDI, 3 ROW, PIN ASSEMBLY, ONE CENTER GUIDE PIN, 6.35[.250] LONG ACTION PINS, 0.00076[.000030] GOLD PLATE	
TOLERANCES UNLESS OTHERWISE SPECIFIED:		APVD	RESTRICTED TO	
0 PLC ± -		SIZE CAGE CODE DRAWING NO		
1 PLC ± -		A1 00779 C=533294		
2 PLC ± -		WEIGHT -		
3 PLC ± 0.13 [.005]		CUSTOMER DRAWING		
4 PLC ± -		SCALE 4:1 SHEET 2 OF 2 REV J1		
ANGLES ± -				