

MATERIALS AND FINISHES

COUPLING SLEEVE: BRASS
PLATED NICKEL

BODY: BRASS
PLATED TRI-M3

RETENTION CAP: BRASS
PLATED TRI-M3

INSULATORS: TEFLON

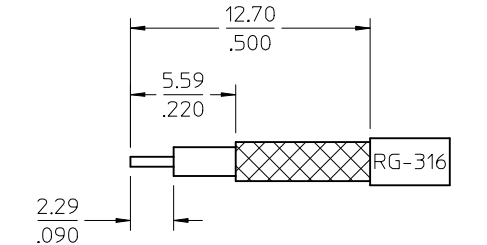
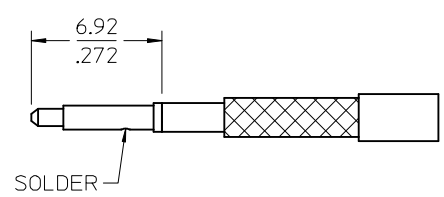
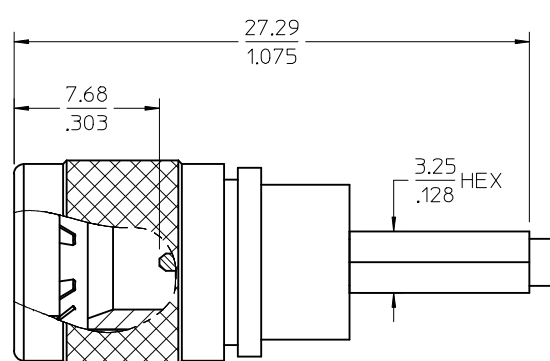
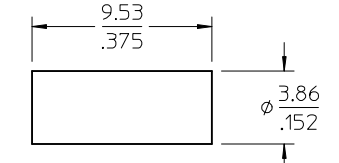
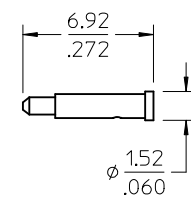
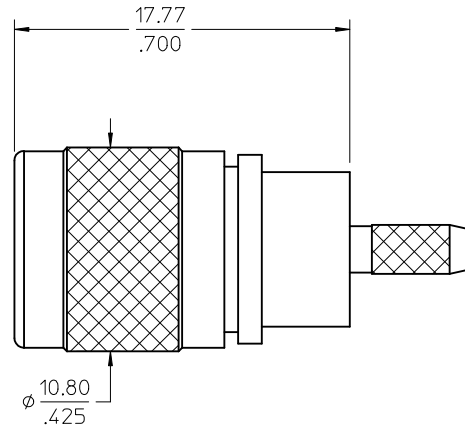
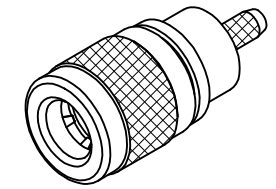
RETENTION SPRING: STAINLESS STEEL
PASSIVATED

GROUND SPRING: BERYLLIUM COPPER
PLATED GOLD

CONTACT: BRASS
PLATED GOLD

OVER HIGH PHOSPHOR NICKEL

CRIMP TUBE: BRASS
PLATED NICKEL



RECOMMENDED CABLE STRIP DIMENSION

73254-0091	ONE PIECE 73254-0090 PER BAG
73254-0090	TRAY
PART NO.	DESCRIPTION

CHG:	UPDATE PACKAGING FOR 73254-0090 PER RF15-E212
EC NO:	URF2015-0658
DRWNR:	YEH
CHKD:	
APPR:	YCHENG
REV:	1

QUALITY SYMBOLS	= 0 = 0 = 0
DESCRIPTION	2015/05/29

GENERAL TOLERANCES (UNLESS SPECIFIED)	<table border="1"> <tr> <th></th> <th>mm</th> <th>INCH</th> </tr> <tr> <td>4 PLACES</td> <td>± .005</td> <td>± .0004</td> </tr> <tr> <td>3 PLACES</td> <td>± .004</td> <td>± .0003</td> </tr> <tr> <td>2 PLACES</td> <td>± .003</td> <td>± .0002</td> </tr> <tr> <td>1 PLACE</td> <td>± .002</td> <td>± .0001</td> </tr> <tr> <td>0 PLACE</td> <td>± .001</td> <td>± .0000</td> </tr> </table>		mm	INCH	4 PLACES	± .005	± .0004	3 PLACES	± .004	± .0003	2 PLACES	± .003	± .0002	1 PLACE	± .002	± .0001	0 PLACE	± .001	± .0000
	mm	INCH																	
4 PLACES	± .005	± .0004																	
3 PLACES	± .004	± .0003																	
2 PLACES	± .003	± .0002																	
1 PLACE	± .002	± .0001																	
0 PLACE	± .001	± .0000																	
ANGULAR	± 2 °																		
DRAFT WHERE APPLICABLE	MUST REMAIN WITHIN DIMENSIONS																		

DIMENSION STYLE	MM/IN
DRAWN BY	SSS
DATE	2003/10/07
CHECKED BY	TEF
DATE	2003/10/07
APPROVED BY	GMH
DATE	2003/10/07
MATERIAL NO.	SEE TABLE
SIZE	C

SCALE	5:1
DESIGN UNITS	INCH
THIRD ANGLE PROJECTION	
TITLE	QMA PLUG STRAIGHT RG316 50 OHMS QMA-PC, EWR-2187
	molex
DOCUMENT NO.	SD-73254-009
SHEET NO.	1 OF 1
THIS DRAWING CONTAINS INFORMATION THAT IS PROPRIETARY TO MOLEX INCORPORATED AND SHOULD NOT BE USED WITHOUT WRITTEN PERMISSION	