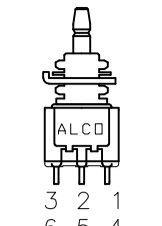
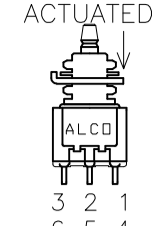
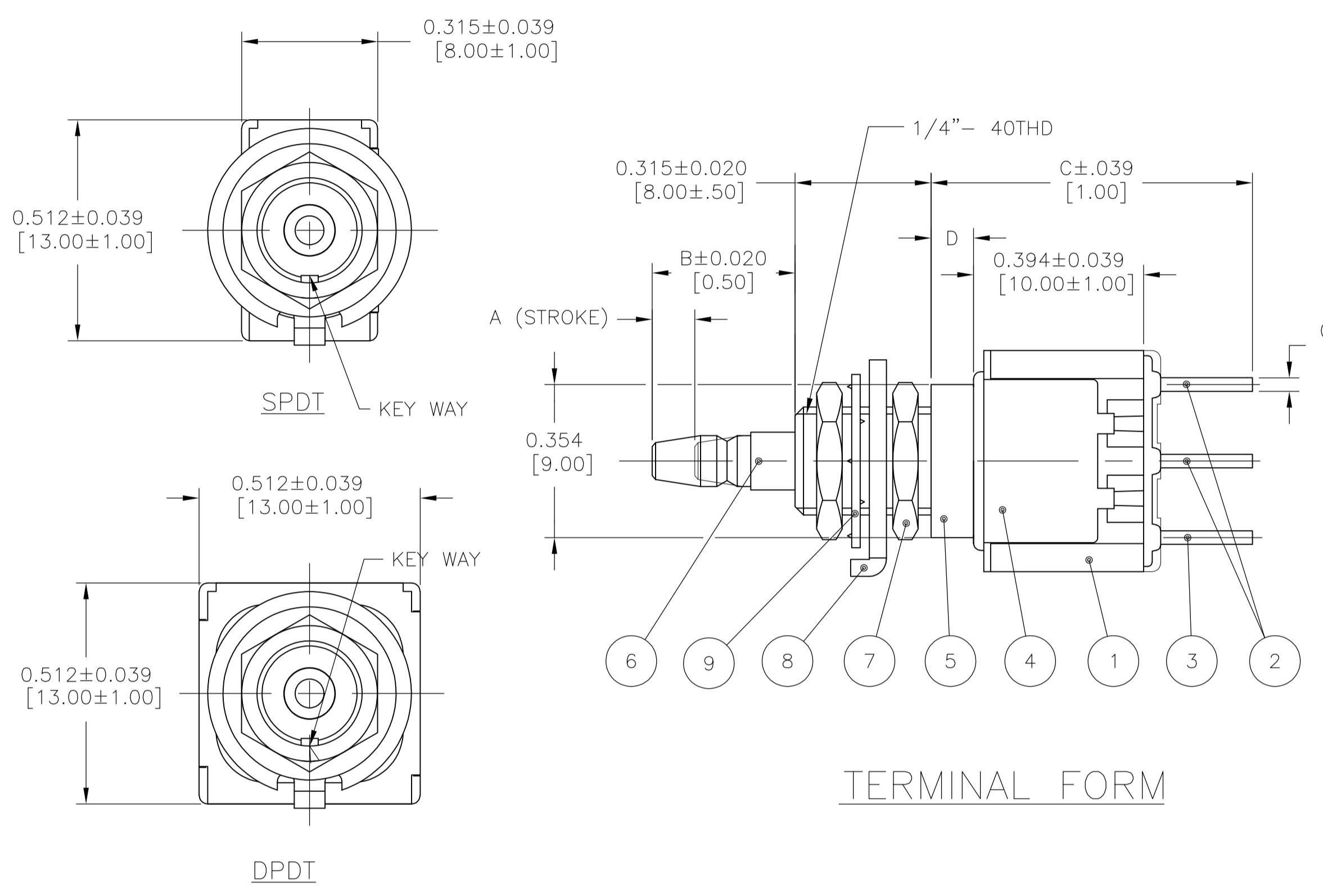


		DIMENSION				OPERATING FORCE	PART NUMBER	TYPE	MARK		 3 2 1 6 5 4	 3 2 1 6 5 4
		A	B	C	D				MARK:A	MARK:B		
	ON-ON	.098 [2.5]	.331 [8.4]	.744 [18.9]	.098 [2.5]	△6	1977738-1 MPS1004DPC	SPDT	MPS1004D ALCO	DC 60mA 30V ON ON C		3-1
MOMENTARY	ON-(ON)	.039 [1]	.315 [8]	.685 [17.4]	.039 [1]	△8	1977738-2 MPS1004FPC	SPDT	MPS1004F ALCO	DC 60mA 30V NO NC C	3-2	(3)-(1)
	ON-ON	.098 [2.5]	.331 [8.4]	.744 [18.9]	.098 [2.5]	△7	1977738-3 MPS2004NPC	DPDT	MPS2004N ALCO	DC 60mA 30V ON ON C	3-2 6-5	3-1 6-4
MOMENTARY	ON-(ON)	.039 [1]	.315 [8]	.685 [17.4]	.039 [1]	△9	1977738-4 MPS2004RPC	DPDT	MPS2004R ALCO	DC 60mA 30V NO NC C		(3)-(1) (6)-(4)

NOTE: TERMINALS 4,5,6 ARE FOUND ONLY ON DP VERSIONS (-3, -4)



SPECIFICATIONS:

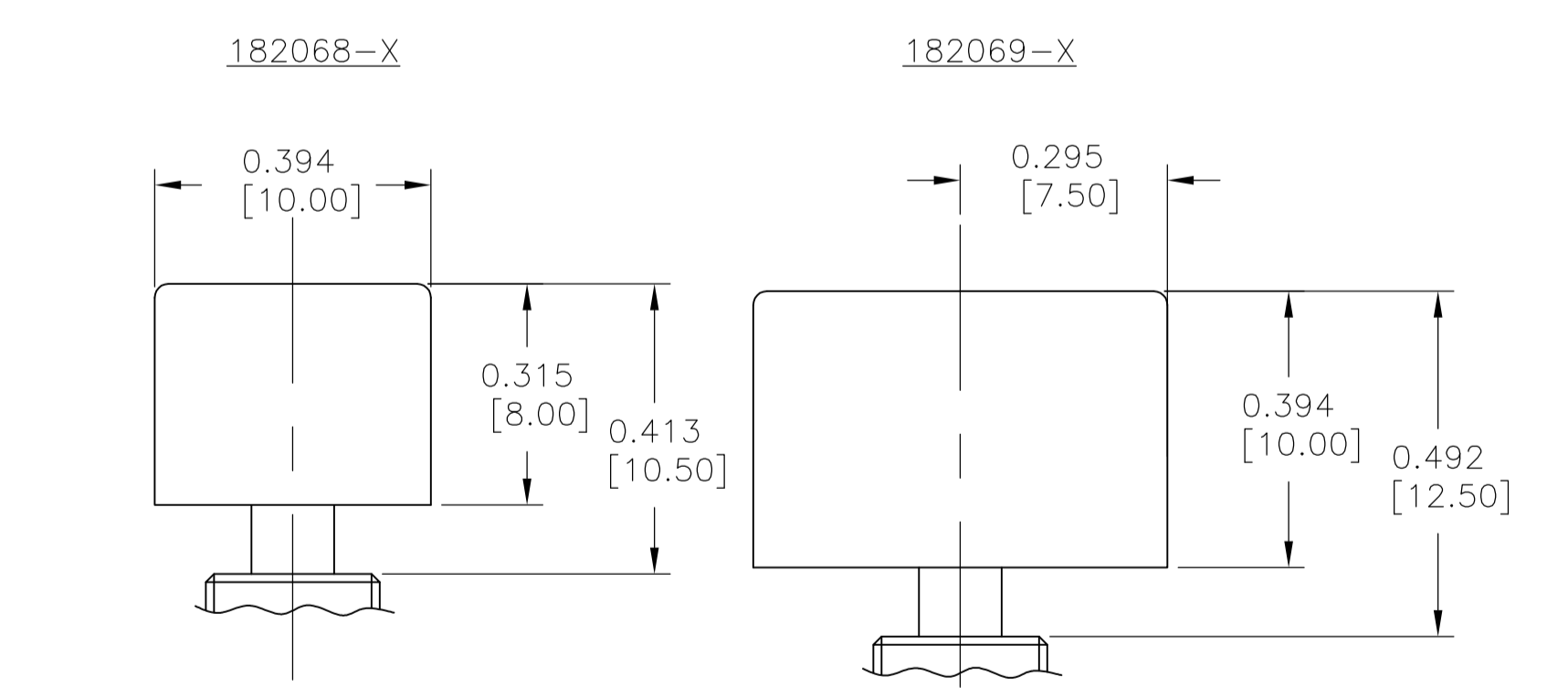
- RATING: MIN, 1µa 20mV DC; MAX, 60mA 30V DC (RESISTIVE LOAD)
- INITIAL CONTACT RESISTANCE: 20mΩ MAX. AT 5mA 0.2mV AC.
- INITIAL INSULATION RESISTANCE: 1,000MΩ MIN. AT 500V DC. (BETWEEN TERMINALS AND TERMINAL-GROUND)
- INITIAL DIELECTRIC STRENGTH: 1,000V AC FOR 1 MINUTE. (BETWEEN TERMINALS AND TERMINAL-GROUND)
- DURABILITY: 50,000 CYCLES

OPERATING FORCE:

- △6 3.92 ± 1.96N (400 ± 200gf)
- △7 4.9 ± 2.45N (500 ± 200gf)
- △8 2.94 ± 0.98N (300 ± 100gf)
- △9 4.9 ± 2.45N (500 ± 200gf)

10 OPERATING TEMP: -20 ~ +85°C
 STORAGE TEMP: -40 ~ +85°C

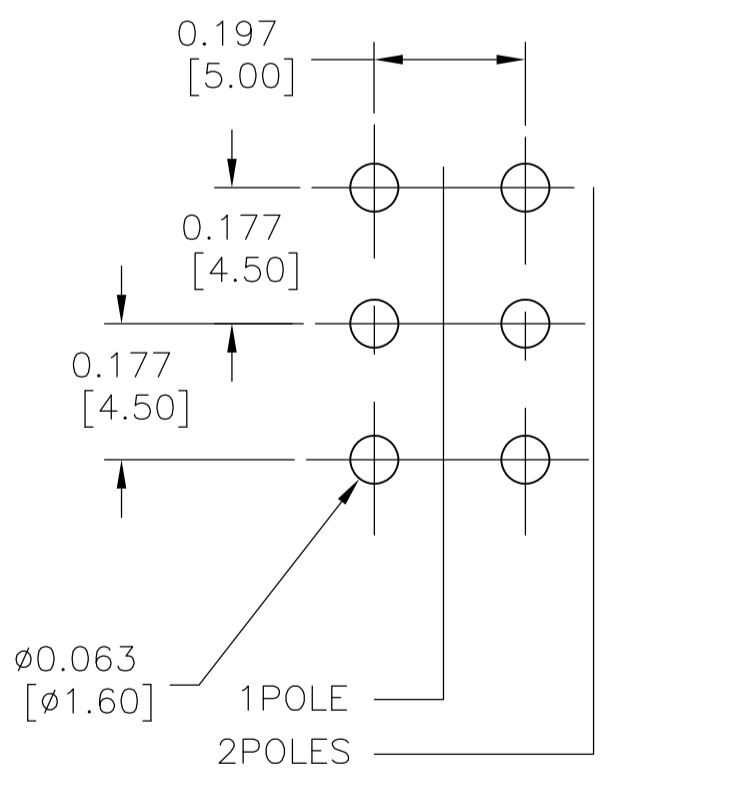
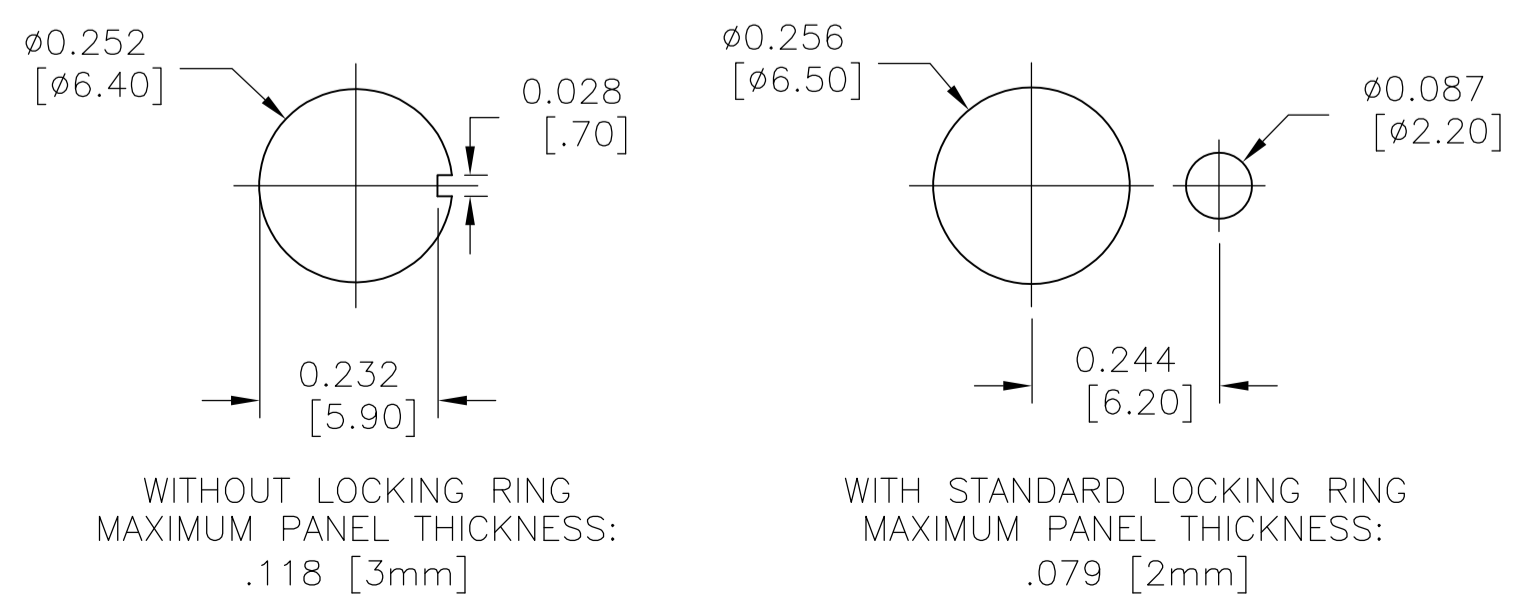
11 ALL MATERIALS AND FINISHES SHALL COMPLY WITH EU DIRECTIVE 2002/95/EC OF 27JAN2003 (ROHS)



BUTTON CAP

SOLD SEPARATELY
 SEE DRAWINGS 1825068 (ø.394 [10 MM])
 & 1825069 (ø.591 [15 MM])
 FOR COLOR CHOICES

PANEL CUT-OUTS (REF)



PC BOARD DRILLING

A/R	A/R	BLUE	-	EPOXY	10
1	1	ZINC PLATE	CARBON TOOL STEEL	TOOTH WASHER	9
1	1	ZINC PLATE	COLD ROLLED STEEL	LOCATING RING	8
2	2	NICKEL PLATE	BRASS	HEX NUT	7
1	1	NICKEL PLATE	BRASS	PLUNGER	6
1	1	-	BRASS	MOUNTING SLEEVE	5
1	1	-	STAINLESS STEEL	FRAME	4
2	1	GOLD PLATE	BRASS	COMMON TERMINAL	3
4	2	GOLD PLATE	BRASS	FIXED CONTACT	2
1	1	(BLUE)	EPOXY RESIN	CASE	1
2	1	FINISH (COLOR)	MATERIALS	PARTS	NO

THIS DRAWING IS A CONTROLLED DOCUMENT. DIN RAGHAVENDRA 28JAN11 Tyco Electronics Corporation
 CHK EPPLEY NAZ 28JAN11 Harrisburg, PA 17105-3608
 APP'D EPPLEY NAZ 28JAN11 NAME
 PRODUCT SPEC
 APPLICATION SPEC
 SIZE CASE CODE DRAWING NO RESTRICTED TO
 WEIGHT A1 00779 1977738
 CUSTOMER DRAWING SCALE 4:1 SHEET 1 OF 1 REV B1