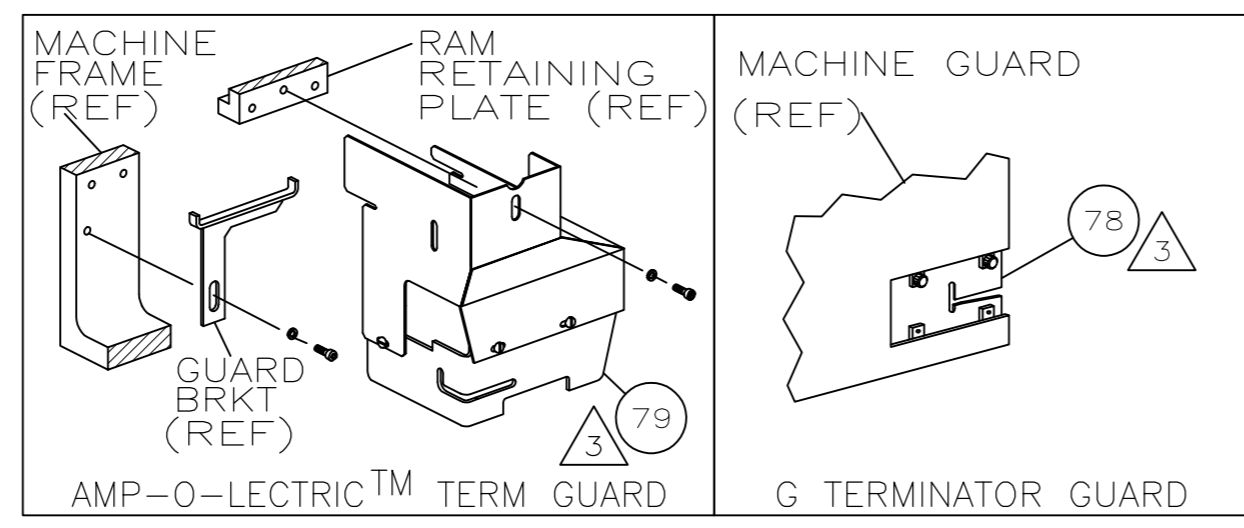


THIS DRAWING IS UNPUBLISHED. RELEASED FOR PUBLICATION. ALL RIGHTS RESERVED.

PART NUMBER	REV	FIRST USED
1385057-1	H	122500-1
1385057-2	H	565435-5
1385057-3	H	354500-1



TERMINAL NAME: RECEPTACLE, FASTON TM FLAG, .187 SERIES		CRIMPING DATA	
WIRE STRIP LENGTH	TERM APPL SPEC	FEED	APPL INSTRUCTION
.188-.219	114-2155	.650	408-8039

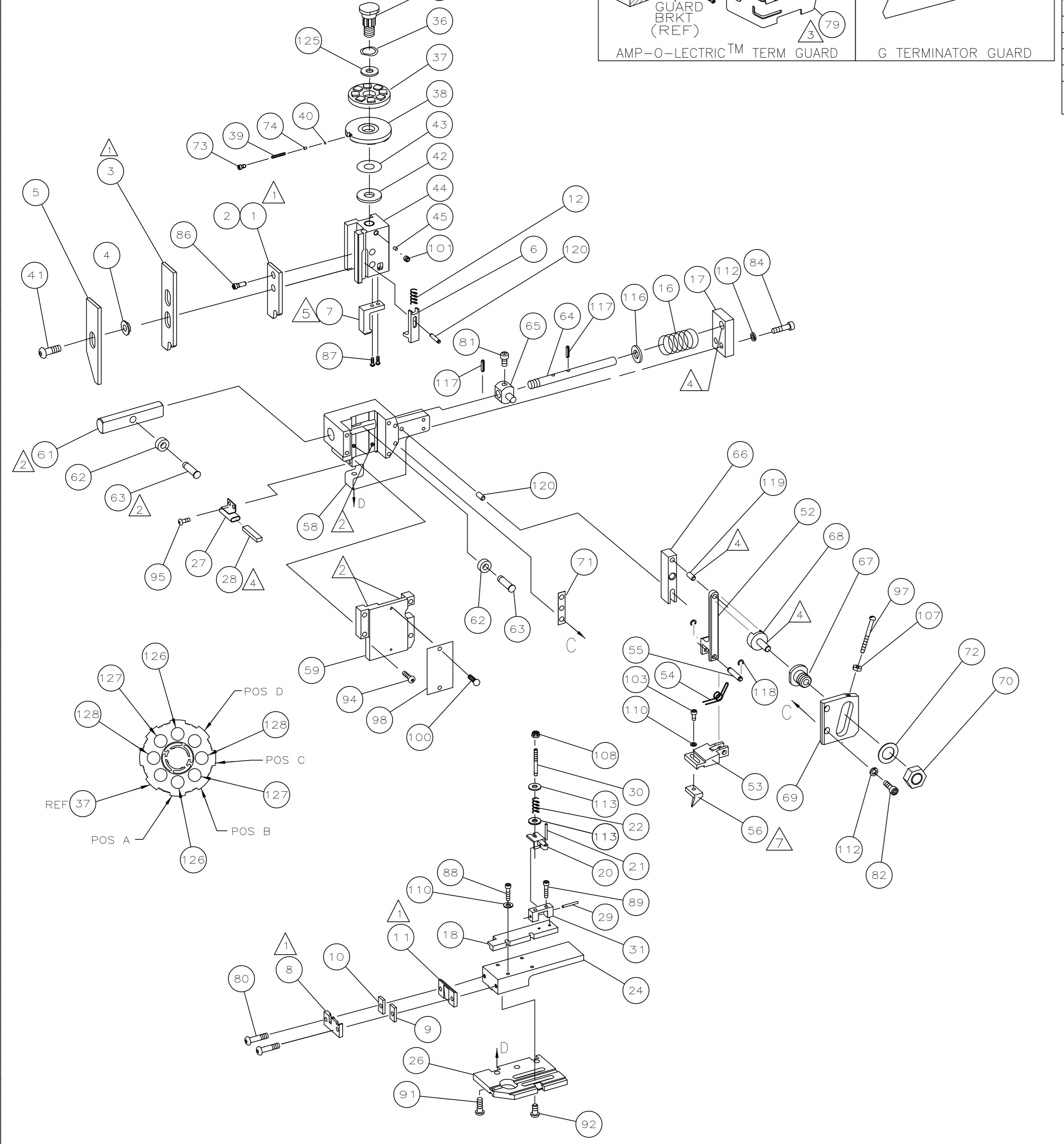
CRIMP	SIZE	TYPE	RANGE
A	.078 ±.002 [1.98 ±0.05mm]	16	△
B	.075 ±.002 [1.91 ±0.05mm]	18	△
C	NOT	USED	
D	NOT	USED	

WIRE	INSUL	SIZE	TYPE	RANGE
		.114 [2.90mm]	C	18-14
		.170 [4.32mm]	C	∅.075-.155

WIRE STRIP LENGTH	TERM APPL SPEC	FEED	APPL INSTRUCTION	SET UP GAGE	LAYOUT
.188-.219	114-2155	.650	408-8039	NONE	L2396

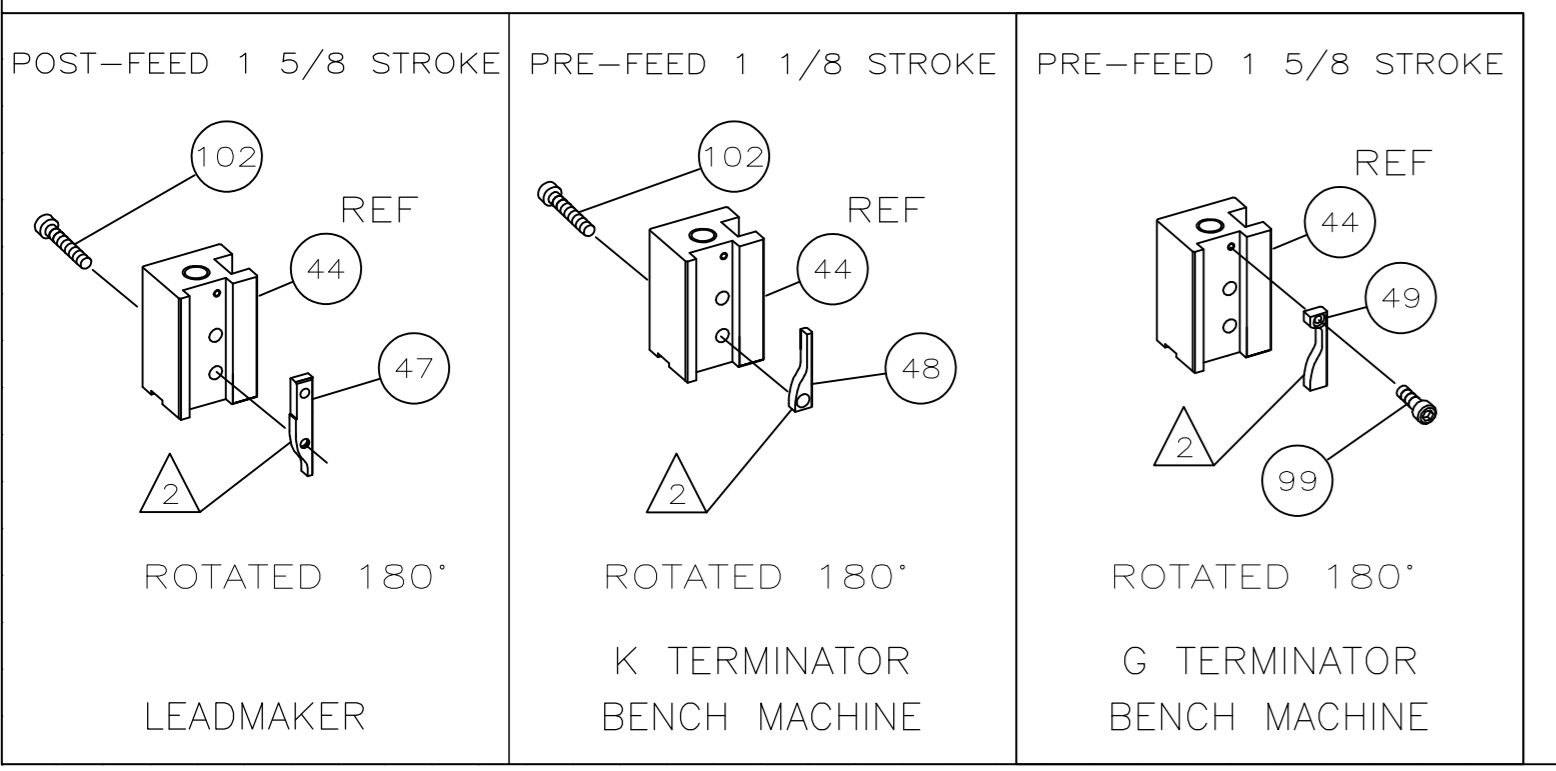
REVISIONS					
P	LTR	DESCRIPTION	DATE	DNW	APVD
H	ECR-16-004559		11-2010	RS	LZ

-1	LEADMAKER &	MECH POST FEED
-2	BENCH MODEL K	MECH PRE FEED
-3	BENCH MODEL G	MECH PRE FEED



QTY	REQD	PER	ASSY	PART NO	DESCRIPTION	ITEM NO
1	1	1		9-354778-3	PIN, WIRE DISC (.2960)B	127
2	2	2		9-354778-1	PIN, WIRE DISC (.2950)A	126
1	1	1		986950-1	WASHER, FLAT PRECISION	125
1	1	1		4088039	EF APPL INST 408-8039	123
2	2	2		4-21028-9	PIN,DOWEL(∅.187x1.50)HSG	120
1	1	1		1-21030-1	PIN,DOWEL(∅.187x.50)LEVER	119
2	2	2		21045-3	RING,RET"C"(∅.187)FD PIN	118
2	2	2		5-21028-1	PIN,STD SPRING(∅.12)FD ADJ ROD	117
1	1	1		21899-4	WASHER,FLAT(∅5/16)SCR ADJ	116
2	2	2		21899-2	WASHER, FLAT(#10)	113
4	4	4		21024-5	WASHER,LOCK(NO.10)FD ROD GDE	112
3	3	3		21024-4	WASHER,LOCK(NO.8)SHEAR BL	110
1	1	1		21022-3	NUT,HEX SL(10-32)DRAG STUD	108
1	1	1		21018-5	NUT,HEX(6-32)FD ADJ PL	107
1	1	1		2-22603-0	SCR,HEX HD(8-32x.31)FEED FINGER	103
1	1	1		3-21000-9	SCR,SHC(10-32x1.00)CAM	102
1	1	1		21009-2	SCR,SKT SET(1/4-20x.25)RAM	101
2	2	2		21017-2	SCR,DRIVE(#2x.19)ID PLATE	100
1	1	1		1-21002-7	SCR,BHC(6-32x.38)CAM	99
1	1	1		461264-1	PLATE, IDENTIFICATION	98
1	1	1		6-23715-5	SCR,PAN HD(6-32x1.50)FEED ADJ	97
2	2	2		2-21002-1	SCR,BHC(8-32x.38)HOLDER	95
4	4	4		2-21002-9	SCR,BHC(10-32x.75)HSG CAP	94
4	4	4		3-21002-3	SCR,BHC(1/4-20x.50)ST GD PL	92
3	3	3		2-22733-8	SCR,BHC(1/4-20x.62)BASE PL	91
2	2	2		2-21000-8	SCR,SHC(8-32x.62)DRAG MOUNT	89
2	2	2		2-21000-7	SCR,SHC(8-32x.50)STRIP GUIDE	88
2	2	2		1-21002-8	SCR,BSHC(6-32x.50)SLUG BLADE	87
1	1	1		2-21000-6	SCR,SHC(8-32x.38)CRIMPER	86
2	2	2		3-21000-7	SCR,SHC(10-32x.75)FEED ROD GDE	84
1	1	1		3-21000-6	SCR,SHC(10-32x.62)FEED ADJ PL	82
1	1	1		3-21000-4	SCR,SHC(10-32x.38)PIVOT BLOCK	81
2	2	2		4-21000-1	SCR,BHC(10-32x.88)SHEAR PL	80
-	REF	-		455745-1	GUARD, WINDOW	79
REF	-	-		679532-1	INSERT, GUARD	78
1	1	1		690603-1	SPRING, ASSIST	74
1	1	1		23030-1	SCR,SKT CAP(6-32x.25)CP DSC	73
1	1	1		458109-1	WASHER, FLAT (SPECIAL)	72
1	1	1		690517-1	SPACER	71

QTY	REQD	PER	ASSY	PART NO	DESCRIPTION	ITEM NO
1	1	1		22594-8	NUT, HEX	70
1	1	1		240628-1	PLATE, ADJ	69
1	1	1		240626-1	SHAFT, PIVOT	68
1	1	1		240633-1	BUSHING	67
1	1	1		455680-1	LEVER, INTERMEDIATE	66
1	1	1		240629-1	BLOCK, PIVOT	65
1	1	1		240632-2	SCR, ADJ	64
1	1	1		240659-3	PIN, CAM ROLLER	63
1	1	1		240658-1	CAM, ROLLER	62
1	1	1		454398-1	ROD, FEED	61
1	1	1		454220-9	CAP, RAM	59
1	1	1		453736-5	HOUSING	58
1	1	1		224716-1	PAWL, FEED	56
1	1	1		240624-1	PIN, FEED FINGER	55
1	1	1		691499-1	SPRING, FEED FINGER	54
1	1	1		690541-1	HOLDER, FEED FINGER	53
1	1	1		455679-2	LEVER, TERMINAL	52
1	1	1		453991-1	CAM, PRE-FEED 1 5/8 ST	49
-	1	-		690696-1	CAM, PRE-FEED 1 1/8 ST	48
-	-	1		238015-1	CAM, POST-FEED 1 5/8 ST	47
1	1	1		690191-1	PLUG, NYLON	45
1	1	1		691533-2	RAM	44
1	1	1		690125-1	WASHER, LAMINATED	43
1	1	1		690124-1	WASHER, RAM	42
1	1	1		3-21002-6	BOLT, CRIMPER(1/4-20x.88)	41
1	1	1		23241-6	BALL, STEEL	40
1	1	1		690170-1	SPRING, COMPRESSION	39
1	1	1		690142-1	DISC, INSULATION	38
1	1	1		354777-1	WIRE DISC, PLASTIC	37
1	1	1		22480-5	WASHER, SPRING	36
1	1	1		690212-1	POST, RAM	35
1	1	1		454569-1	MOUNT, DRAG	31
1	1	1		1-22354-9	DRAG, STUD	30
1	1	1		21030-2	PIN, MOUNT, DRAG	29
1	1	1		1424238-1	WICK, LUBRICATING	28
1	1	1		1338776-1	HOLDER, WICK	27
1	1	1		455676-1	PLATE, BASE	26
1	1	1		1213071-1	PLATE, STRIP GUIDE	24
1	1	1		8-22282-6	SPRING, DRAG	22
1	1	1		21030-6	LEVER, DRAG	21
1	1	1		454570-1	DRAG, STOCK	20
1	1	1		1213072-1	GUIDE, STRIP (FRONT)	18
1	1	1		454178-1	GUIDE, FEED ROD	17
1	1	1		4-22284-9	SPRING, FEED RETURN	16
1	1	1		5-22280-5	SPRING, HOLD DOWN	12
1	1	1		240644-5	PLATE, REAR SHEAR	11
1	1	1		7-240645-2	SPACER, SHEAR PLATE	10
1	1	1		1320330-3	SPACER, SHEAR PLATE	9
1	1	1		1490797-1	ANVIL	8
1	1	1		1214683-3	BLADE, SLUG	7
1	1	1		2-692134-1	POSITIONER, TERMINAL	6
-	-	1		1424913-1	GUIDE, WIRE	5
1	1	1		690574-4	SPACER, BLOCK CRIMPER	4
1	1	1		1213069-2	CRIMPER, INSULATION	3
1	1	1		1213068-6	CRIMPER, WIRE	1



- △ 1 RECOMMENDED SPARE PARTS.
- △ 2 GREASE LIGHTLY.
- △ 3 GUARD MUST BE IN PLACE WHEN OPERATING APPLICATOR IN A BENCH MACHINE.
- △ 4 LUBRICATE DAILY USING NO. 20 MACHINE OIL.
- △ 5 SPACE ITEM 7 .008" FROM ITEM 1.
- △ 6 MEASURE CH HERE NOT ACROSS STAKING FEATURE
- △ 7 POSITION FEED FINGER TO FEED TERMINAL BETWEEN RECEPTICAL AND EDGE OF CARRIER.

THIS DRAWING IS A CONTROLLED DOCUMENT.

STE TE Connectivity

END FEED HDM APPLICATOR

0.000000

1385057

SCALE - SHEET 1 OF 1 REV H