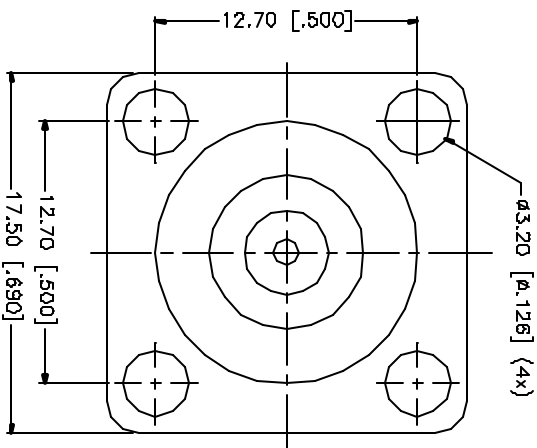
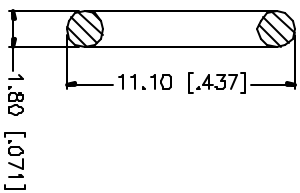
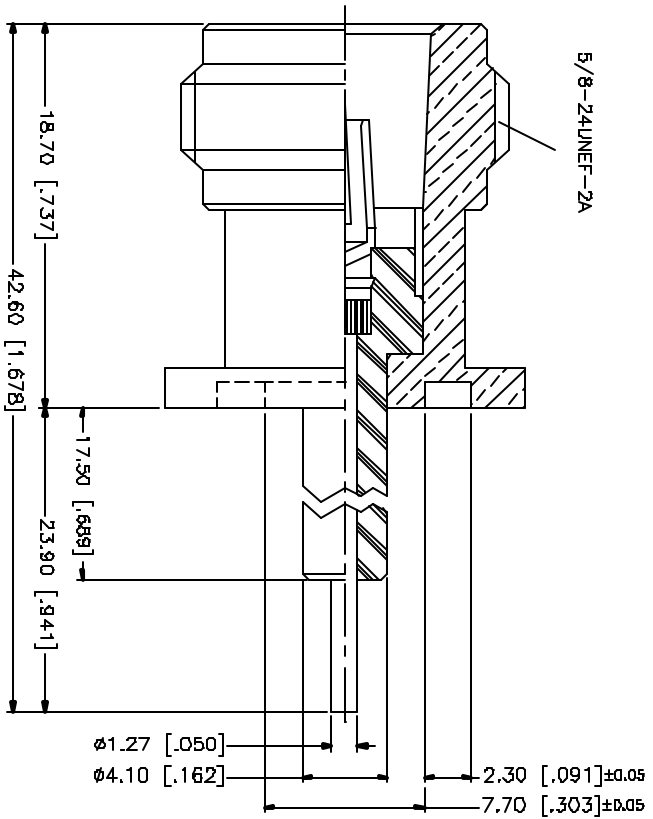


REV.	DATE	DESCRIPTION
A	02/27/00	REVISE O-RING GROOVE
B	04/22/00	ADD DURROMETER RATING TO GASKET
C	04/19/05	UPDATE DRAWING FORMAT



NO.	DESCRIPTION	MATERIAL	FINISH	QTY
7				
6				
5				
4	GASKET	SILICONE 70A SHORE DUREMETER	RED	1
3	CONTACT PIN	PHOS. BRONZE	GOLD	1
2	INSULATOR	TEFLON	NATURAL	1
1	BODY	BRASS	NICKEL	1
	DESCRIPTION	MATERIAL	FINISH	QTY

UNLESS OTHERWISE SPECIFIED DIMENSIONS ARE IN MILLIMETERS, INDICATED IN () ARE IN INCHES AND FOR CUSTOMER REFERENCE ONLY.
UNLESS OTHERWISE SPECIFIED TOLERANCES FOR MILLIMETERS ARE: 0.5 - .8mm ± 0.20mm .8 - 36mm ± 0.40mm 30 - 120mm ± 0.50mm
UNLESS OTHERWISE SPECIFIED TOLERANCES FOR INCHES ARE: .020 - .315 = ± 0.0075 .315 - 1.180 = ± 0.0154 1.180 - 4.1724 = ± 0.0204
DO NOT SCALE DRAWING

APPROVALS	DATE
DRAWN C.R.S.	04/18/05
CHECKED	
ISSUED	
SHEET 1 OF 1	

3D0 FILE	DWG. NO.	REV.	SIZE	SCALE
C:/172/172224.DWG	172224.DWG	C	A	NA

Amphenol Connex

PART DESCRIPTION
N PANEL RECEPTACLE
EXTENDED TEFLON (.689/.941)

PART NO. 172224