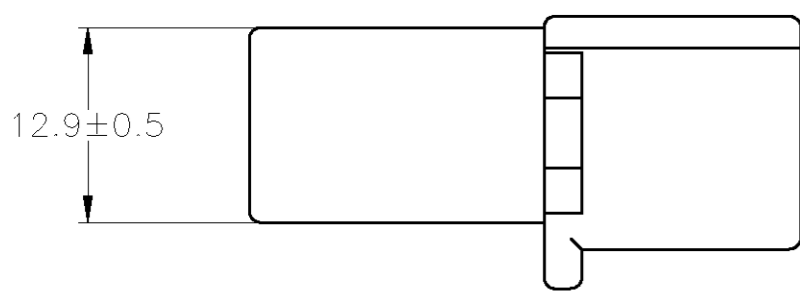
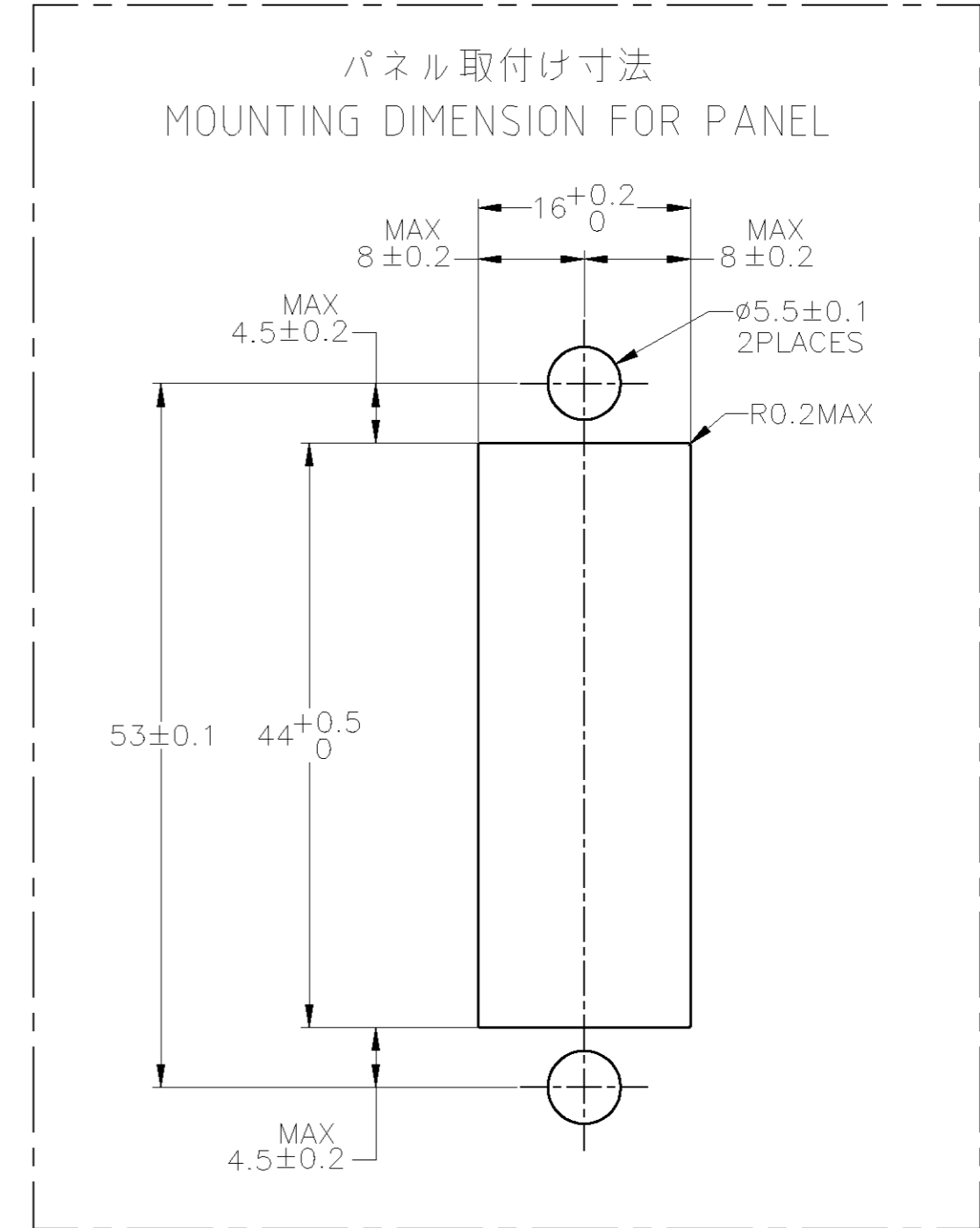
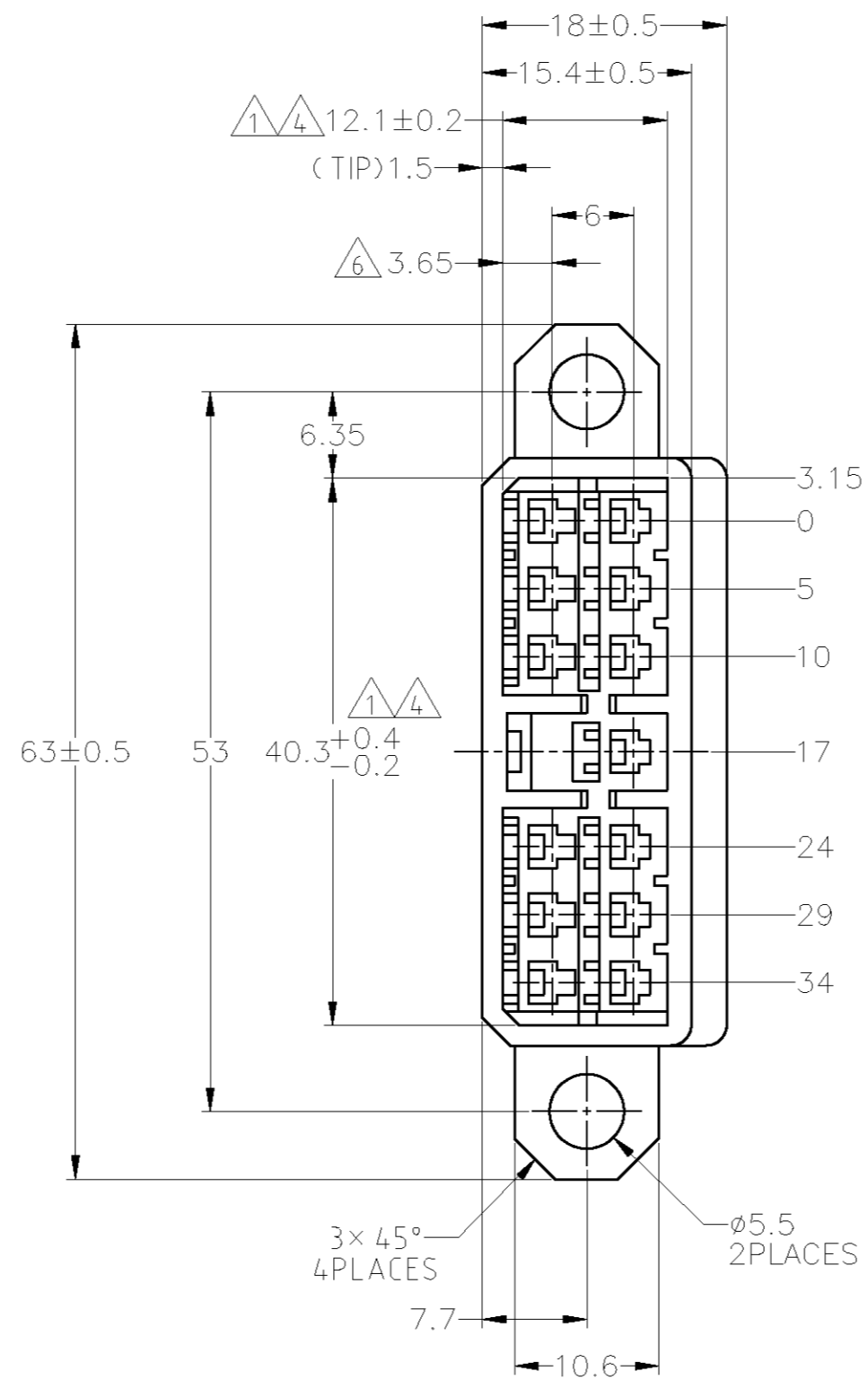
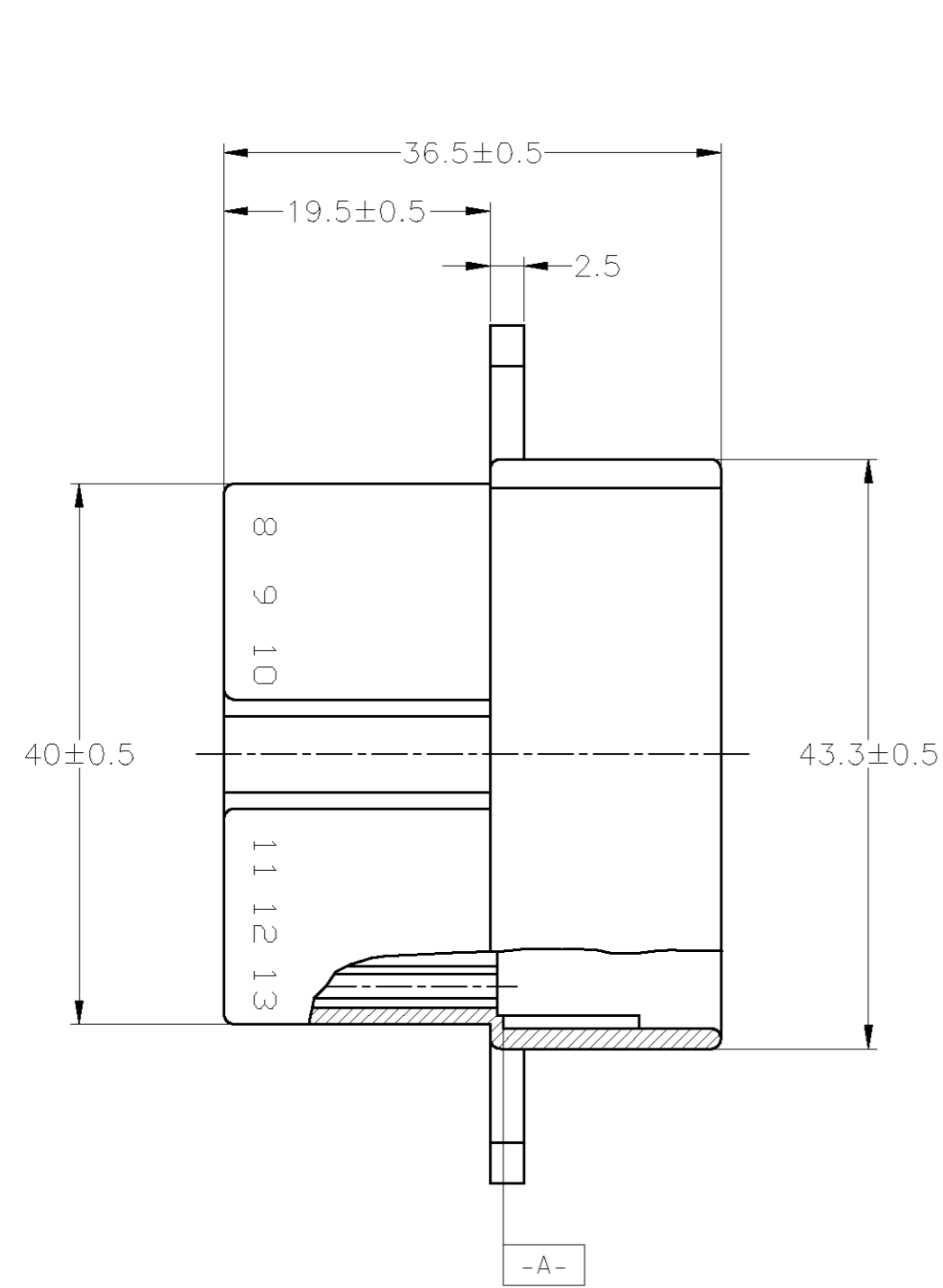


THIS DRAWING IS UNPUBLISHED. RELEASED FOR PUBLICATION  
 © COPYRIGHT BY TYCO ELECTRONICS CORPORATION. ALL INTERNATIONAL RIGHTS RESERVED.

LOC	DIST	REVISIONS			
P	LTR	DESCRIPTION	DATE	DWN	APVD
J	-	C1 REVISED	ECR-10-004036	25FEB10	TS KB



- △1 IN COUPLING WITH THE PLUG HOUSING MATING SATISFIES FUNCTION.
- 2. APPLIED CONTACT PN 170221, 170222
- 3. PRODUCT SPECIFICATION NUMBER: 108-5099
- △4 TO BE MEASURED WITHIN 2mm FROM [-A-]
- 5. IN COUPLING WITH THE PLUG HOUSING MATING FORCE 29.4N (3kg) MAX. WITHOUT RECEPTACLE CONTACT.
- △6 CENTERLINE OF CONTACT

- △1 相手ハウジングと所定の機能を満たして嵌合出来ること。
- 2. 使用コンタクト型番：170221 及び 170222, その他
- 3. 製品規格番号：108-5099
- △4 [-A-] 面より2mmの範囲で測定。
- 5. 相手ハウジングとの嵌合力は29.4N (3kg) 以下。但し、コンタクトは含まない。
- △6 コンタクトセンター迄の距離

OBSOLETE	GRAY	172347-6
OBSOLETE	BLUE	172347-5
	GREEN	172347-4
OBSOLETE	BROWN	172347-3
	NATURAL	172347-1
	COLOR	PART NUMBER

GENERAL TOLERANCE

10 ≥	: ±0.2
30 ≥ > 10	: ±0.25
100 ≥ > 30	: ±0.3
ANGLE	: ±3°

THIS DRAWING IS A CONTROLLED DOCUMENT.

DWN	T.SHINOHARA	30JUL09
CHK	K.BETSUI	30JUL09
APVD	K.BETSUI	30JUL09

Tyco Electronics Corporation  
Kawasaki, Japan

NAME: K.BETSUI

PRODUCT SPEC: SEE NOTE 3

APPLICATION SPEC: -

WEIGHT: -

CUSTOMER DRAWING

SCALE: 2:1

SHEET: 1 of 1

REV: C1

RESTRICTED TO: -