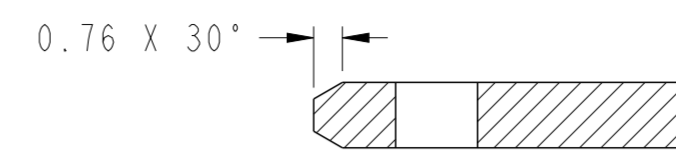


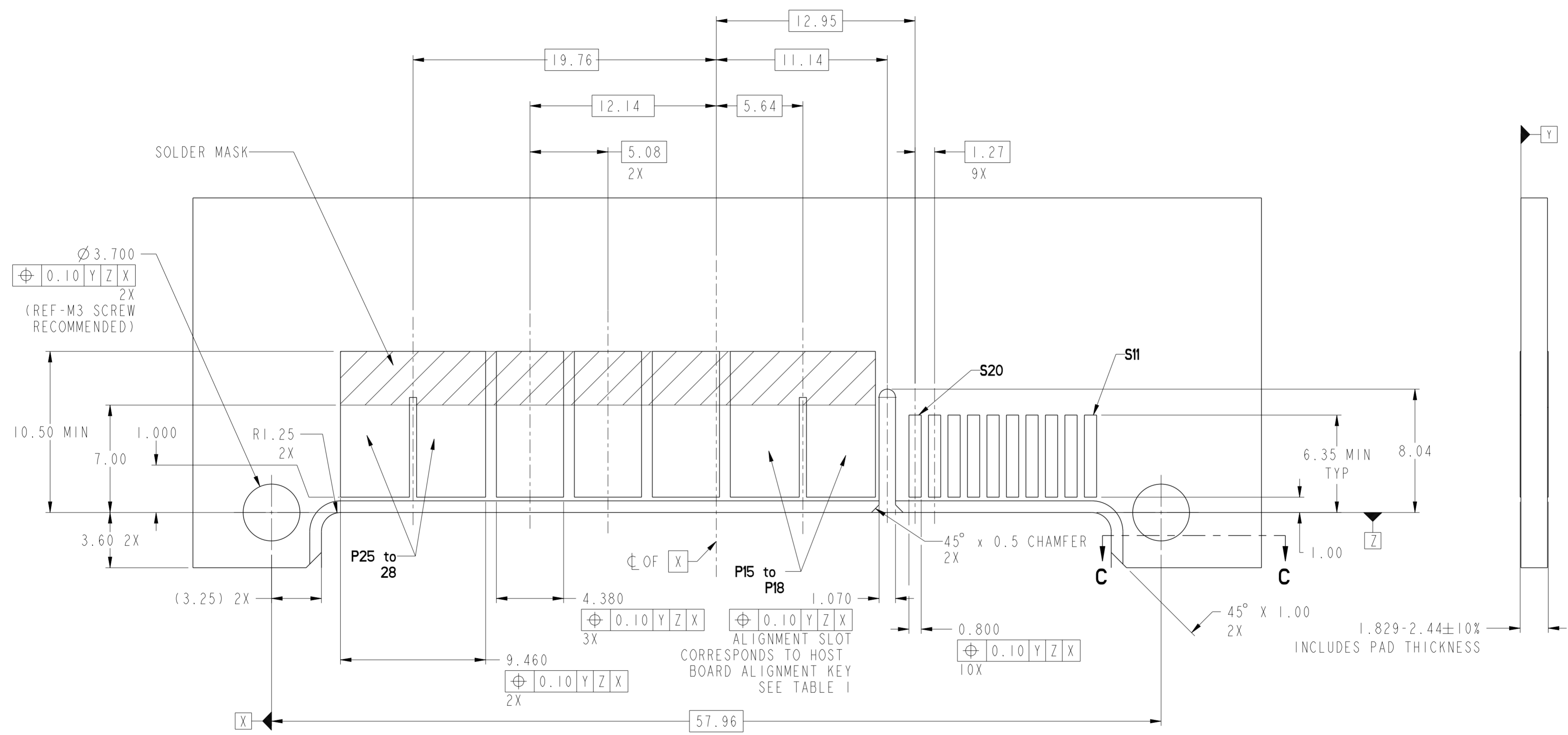
SECTION A-A

SECTION B-B

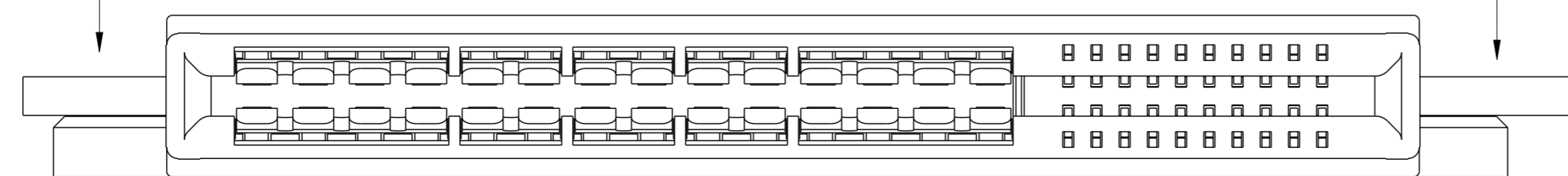
spec ref	-	dr	Chris Gieski	2012/10/08	projection	MM	size	A2	scale	4:1
tolerance std	ISO 406 ISO 1101	eng	Zhao Peter	2013/04/10			ecn no	-	rel level	Released
TOLERANCES UNLESS OTHERWISE SPECIFIED		chr	-	app						
surface	ISO 1302	linear	0.X	±0.3			title	STRADDLE MT. 28P-20S		rev A
		angular	0°	±°	www.fci.com	cat. no.	-	Product - Customer Drw	sheet 1 of 4	



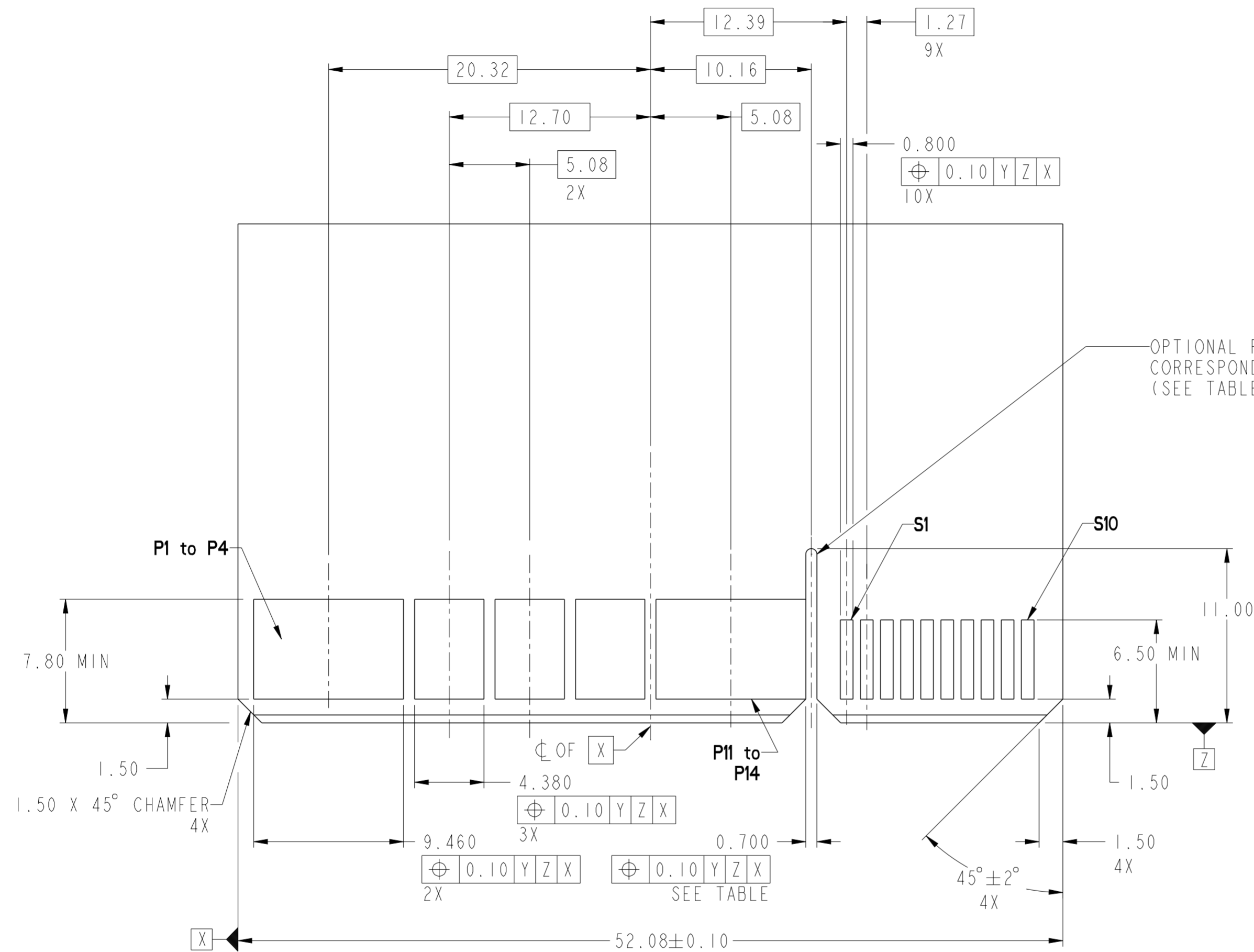
SECTION C-C



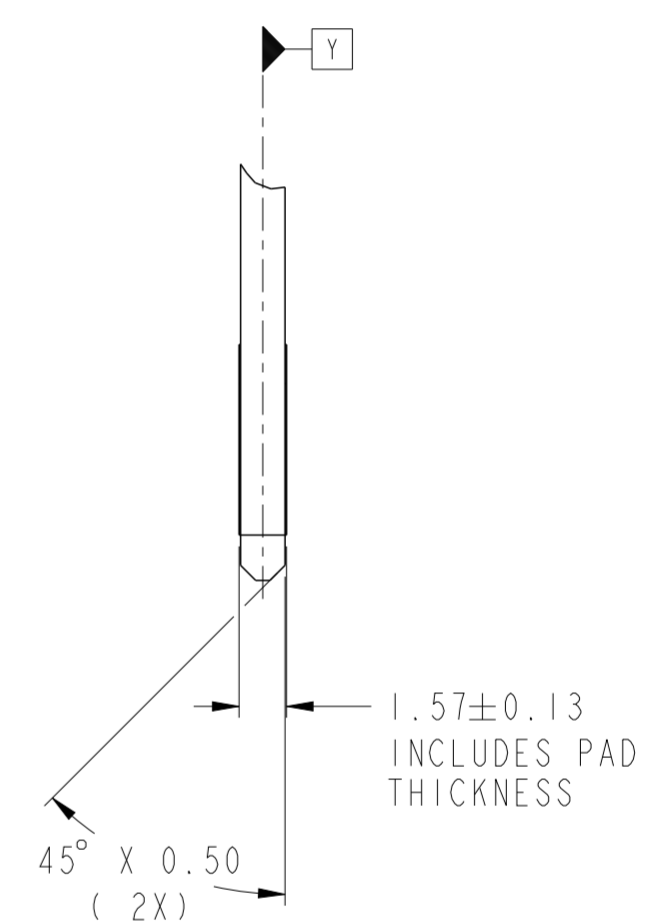
RECOMMENDED HOST BOARD LAYOUT AS VIEWED



dr	Chris Gieski	2012/10/08	projection	MM	size	A2	scale	4:1
eng	Zhao Peter	2013/04/10			ecn no	-	Released	
chr	-	rel level			-			
appr	Collins Lu	2013/04/10	product family	CARD EDGE	rel level	-	Released	
		STRADDLE MT. 28P-20S HPCE-MULTI-HOST-BOARD THICKNESS	cat. no.	Product - Customer Draw	sheet 2 of 4	rev A		



OPTIONAL POLARIZATION SLOT
CORRESPONDS TO ORIENTATION KEY OPTION
(SEE TABLE 1)

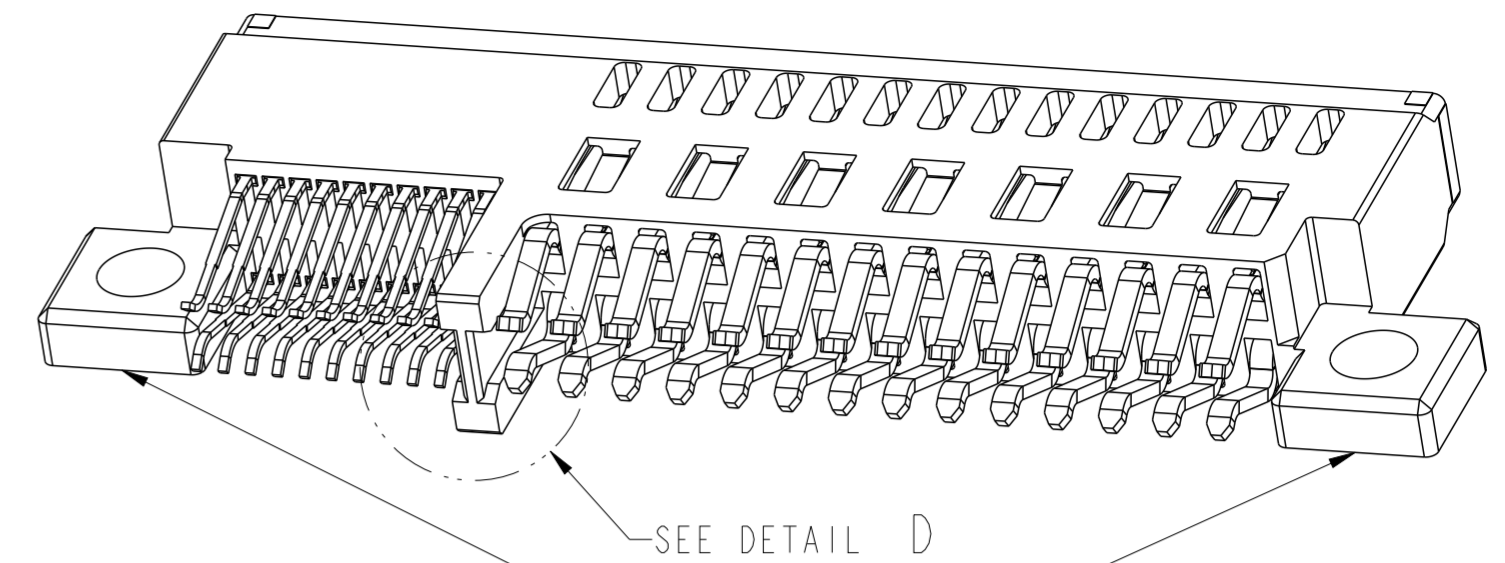


RECOMMENDED MATING BOARD FOOTPRINT

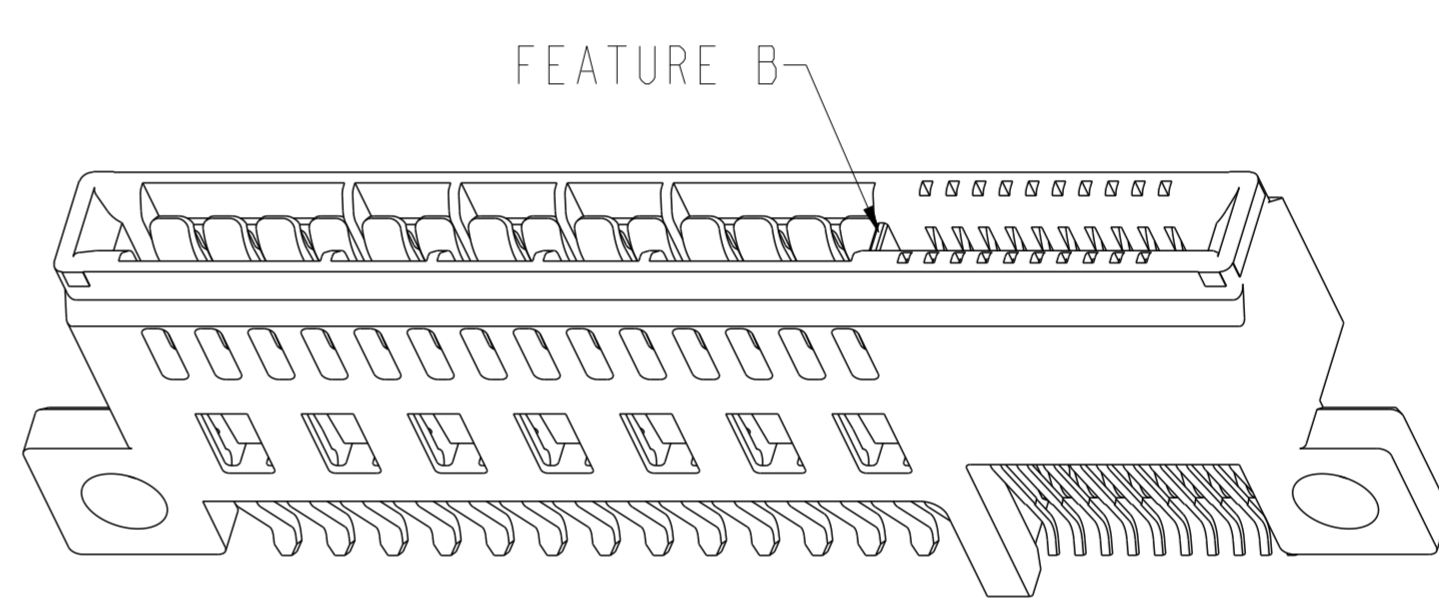
dr	Chris Gieski	2012/10/08	projection	MM	size	A2	scale	4:1
eng	Zhao Peter	2013/04/10			ecn no	-		
chr	-	-			rel level	Released		
appr	Collins Lu	2013/04/10	product family	CARD EDGE				
		title STRADDLE MT. 28P-20S HPCE-MULTI-HOST-BOARD THICKNESS			dwg no 10122992	rev A		
www.fci.com		cat. no.	Product - Customer Drw		sheet 3 of 4			

TABLE 1

PART NUMBER	HOST BOARD Thickness	FEATURE C HOST BOARD ALIGNMENT KEY (SEE NOTE 8)	FEATURE A MOUNTING EARS	FEATURE B FRONT POLARIZATION KEY	MOUNTING EARS Height (mm)
10122992-001LF	0.072" (1.83 mm) ±10%	YES	YES	NO	2.710
10122992-002LF			YES	YES	
10122992-003LF			NO	NO	
10122992-004LF			NO	YES	
10122992-005LF		NO	YES	NO	
10122992-006LF			YES	YES	
10122992-007LF			NO	NO	
10122992-008LF			NO	YES	
10122992-009LF	0.082" (2.08 mm) ±10%	YES	YES	NO	2.584
10122992-010LF			YES	YES	
10122992-011LF			NO	NO	
10122992-012LF			NO	YES	
10122992-013LF		NO	YES	NO	
10122992-014LF			YES	YES	
10122992-015LF			NO	NO	
10122992-016LF			NO	YES	
10122992-017LF	0.096" (2.44 mm) ±10%	YES	YES	NO	2.406
10122992-018LF			YES	YES	
10122992-019LF			NO	NO	
10122992-020LF			NO	YES	
10122992-021LF		NO	YES	NO	
10122992-022LF			YES	YES	
10122992-023LF			NO	NO	
10122992-024LF			NO	YES	



FEATURE A



FEATURE B

FEATURE C

DETAIL D
SCALE 8:1

NOTES:

- CONNECTOR MATERIALS:
HOUSING: HIGH TEMPERATURE THERMAL PLASTIC, BLACK
UL 94V-0 COMPLIANT
CONTACTS: HIGH PERFORMANCE COPPER ALLOY.
- CONTACT FINISH REF. GS-12-604 SECTION 5.2.
- PRODUCT SPECIFICATION: GS-12-604.
- APPLICATION SPECIFICATION: GS-20-128.
- PRODUCT MARKING (FCI - PART NUMBER & DATE CODE) ON HOUSING IN AREA SHOWN.
- PACKAGING MEETS FCI SPECIFICATION GS-14-937.
- HOUSING COMPONENT WILL WITHSTAND EXPOSURE TO 260°C PEAK TEMPERATURE FOR 60 SECONDS IN A CONVECTION, INFRA-RED, OR VAPOR PHASE REFLOW OVEN.
- HOST BOARD ALIGNMENT KEY IS RECOMMENDED TO ENSURE PROPER ALIGNMENT OF SOLDER TAILS WITH HOST BOARD PADS.

dr	Chris Gieski	2012/10/08	projection	MM	size	A2	scale	4:1
eng	Zhao Peter	2013/04/10			ecn no	-	rel level	Released
chr	-	-			product family	CARD EDGE		
appr	Collins Lu	2013/04/10	www.fci.com		cat. no.	-	Product - Customer Drw	sheet 4 of 4
			title STRADDLE MT. 28P-20S HPCE-MULTI-HOST-BOARD THICKNESS		dwg no 10122992	rev A		