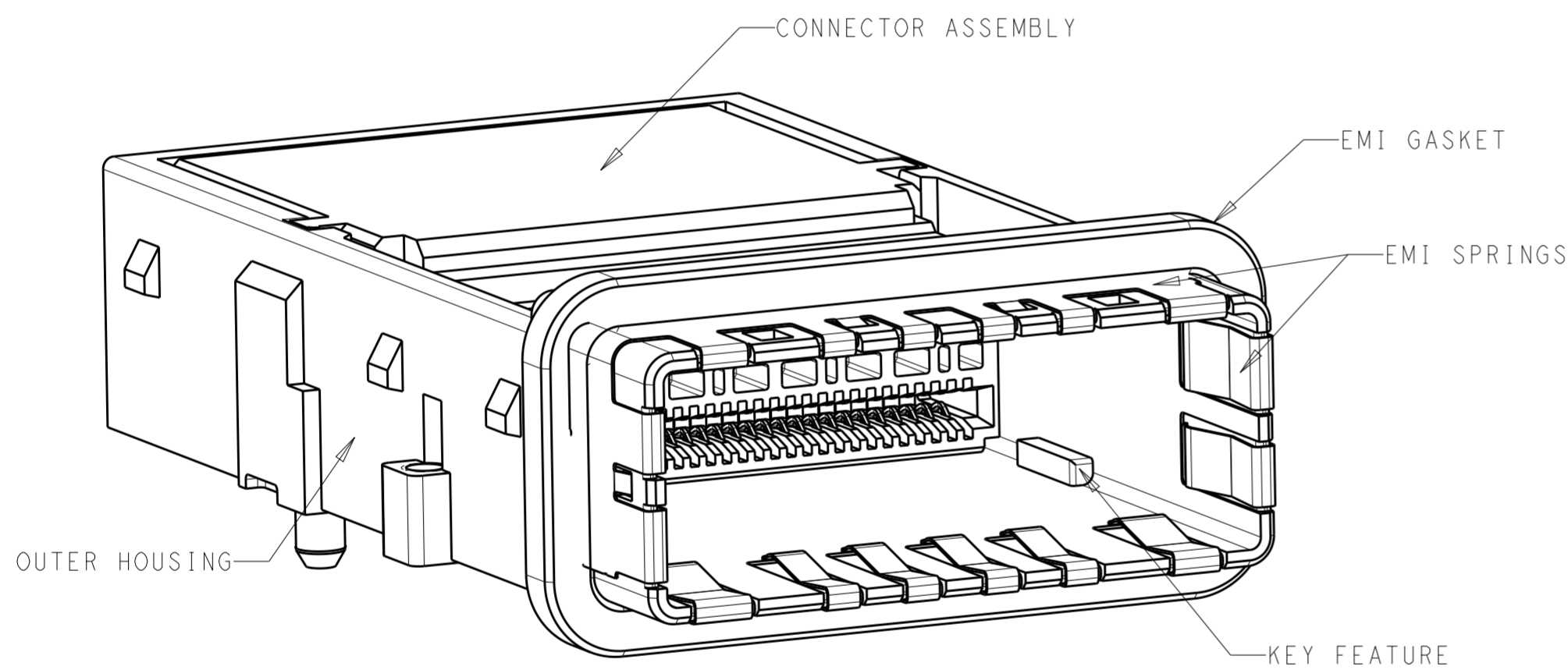


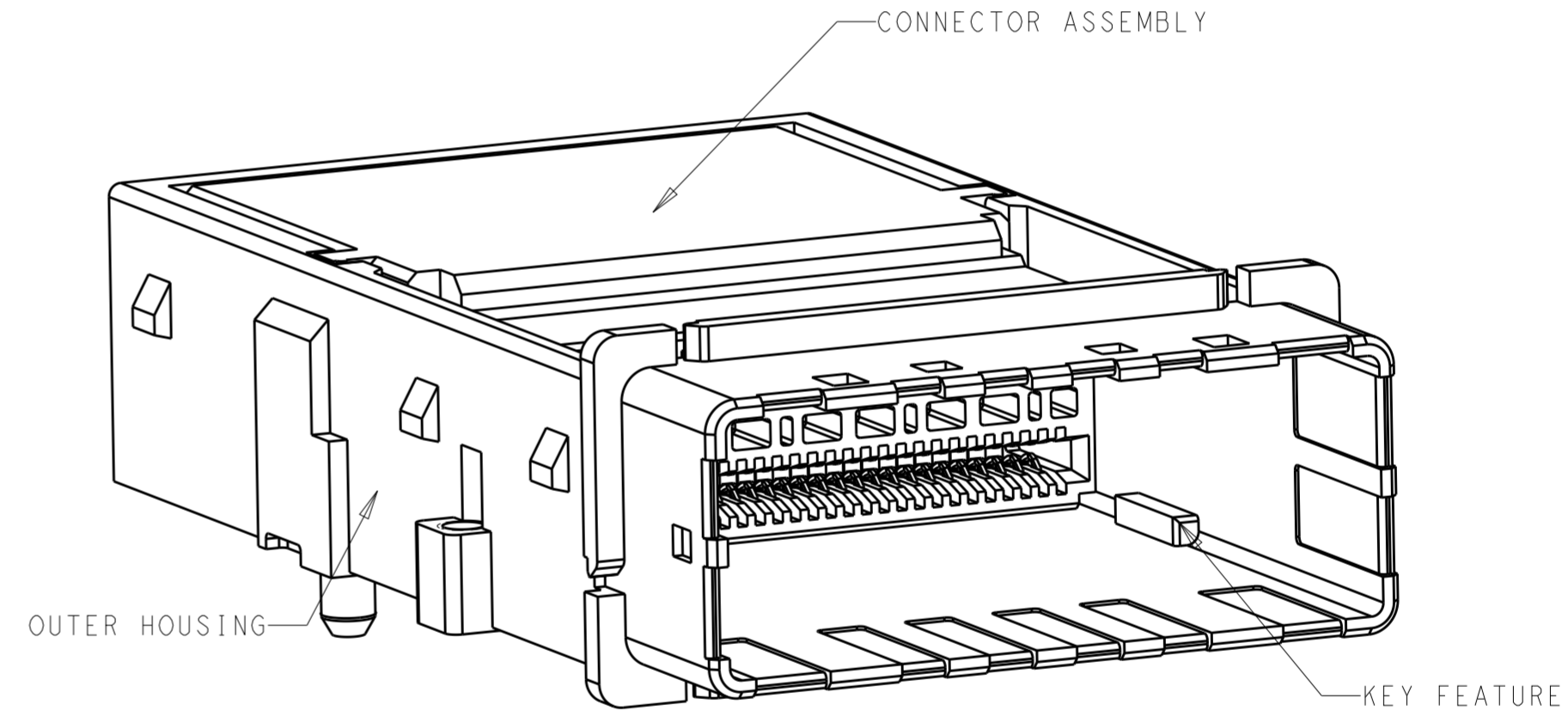
THIS DRAWING IS UNPUBLISHED. RELEASED FOR PUBLICATION 20  
 © COPYRIGHT 20 BY - ALL RIGHTS RESERVED.

REVISIONS				
P	LTR	DESCRIPTION	DATE	APVD
A		INITIAL RELEASE	14APR2016	JY SH
B		REVISED PER ECO-18-012594	07AUG2018	JY SH

- MATERIALS:**  
 OUTER HOUSING - NICKEL PLATED ZINC ALLOY PER ASTM B 240.  
 CONNECTOR HOUSINGS - LCP, UL 94V-0 RATED.  
 CHICKLETS - LCP, UL 94V-0 RATED.  
 CONTACTS - PHOSPHOR BRONZE.  
 EMI SPRINGS - COPPER ALLOY.  
 EMI GASKET - CONDUCTIVE ELASTOMER.
- CONTACT FINISH:**  
 CONFORMS TO THE REQUIREMENTS OF TYCO ELECTRONICS PRODUCT SPECIFICATION 108-32065, BASED ON EIA/ECA-364-1000.01A, (CONTROLLED ENVIRONMENT APPLICATIONS) ON MATING INTERFACES. MATTE TIN ON COMPLIANT PINS.
- PCB THICKNESS 1.57 MINIMUM.**
- △ 4 FOR HOLE SIZE AND PLATINGS, SEE APPLICATION SPEC 114-32114.**
- △ 5 CROSS HATCHED AREA INDICATES REQUIRED CONDUCTIVE AREA ON SURFACE OF PCB. NO COMPONENTS OR TOP SIDE SURFACE TRACES ALLOWED IN THIS AREA.**
- MOUNTING HARDWARE REQUIRED:**  
 3X M2X0.4 - SCREW LENGTH = PCB THICKNESS + (2 TO 4).
- △ 7 CUSTOMIZED PACKAGE SPEC:**  
 PLACE CONNECTOR PIN FIELD DOWN IN PACKAGE.



2291931-1 SHOWN WITH EMI SPRING AND GASKET SCALE 4:1



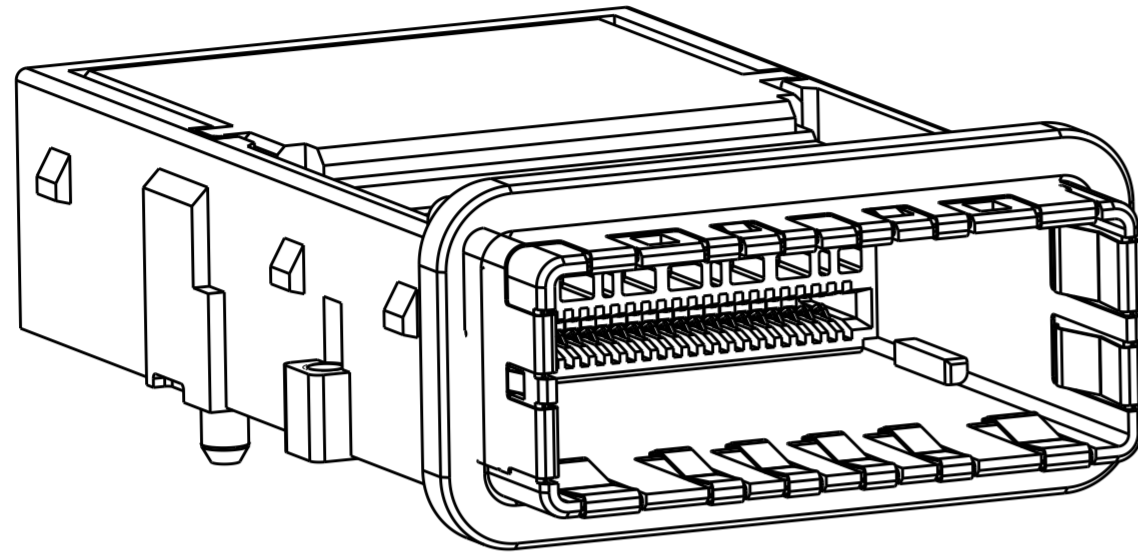
2291931-2, -3 AS SHOWN W/O EMISPRING AND GASKET SCALE 4:1

△ 7	W/O EMI SPRING AND GASKET	2291931-3
	W/O EMI SPRING AND GASKET	2291931-2
	W EMI SPRING AND GASKET	2291931-1
	DESCRIPTION	PART NUMBER

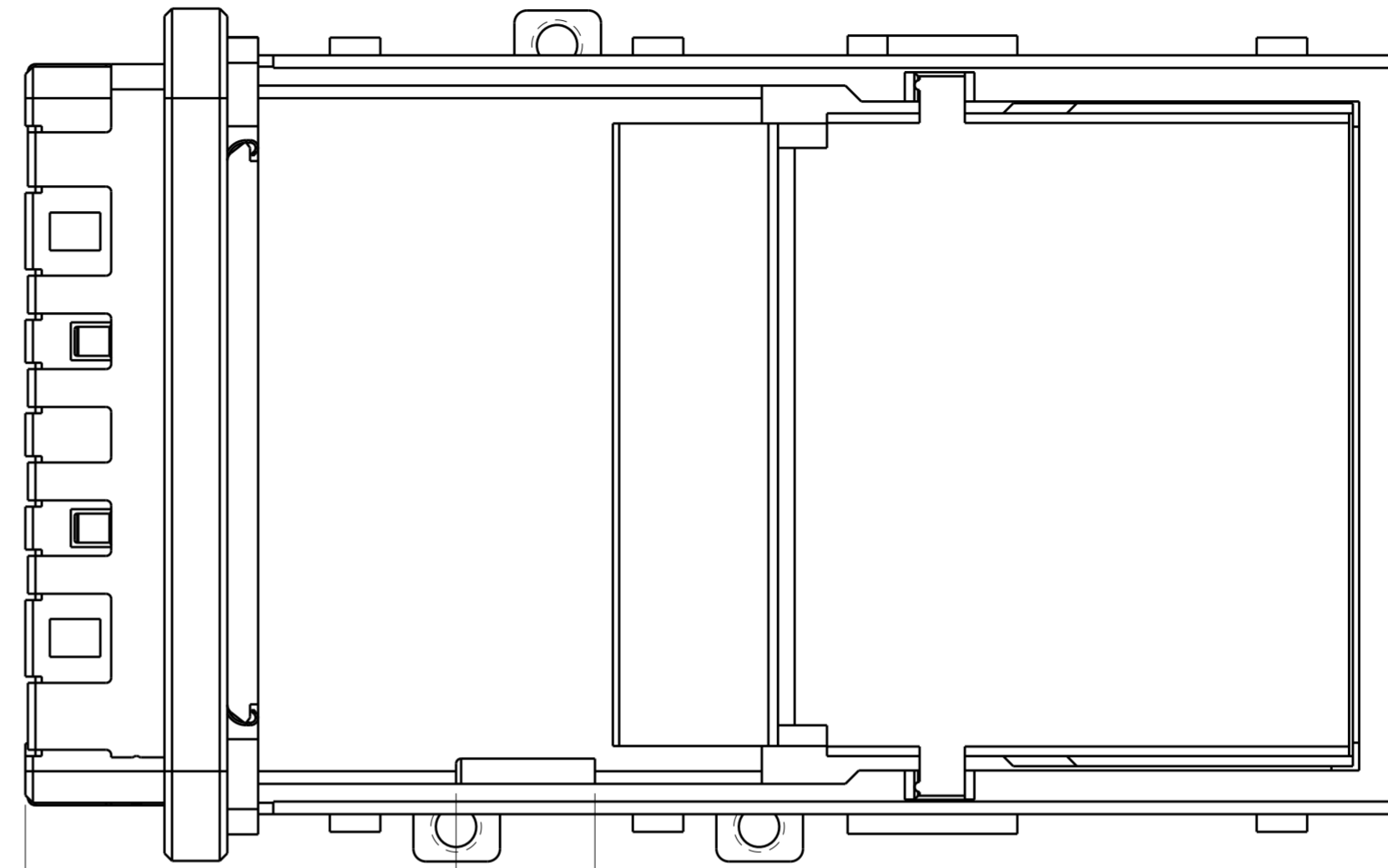
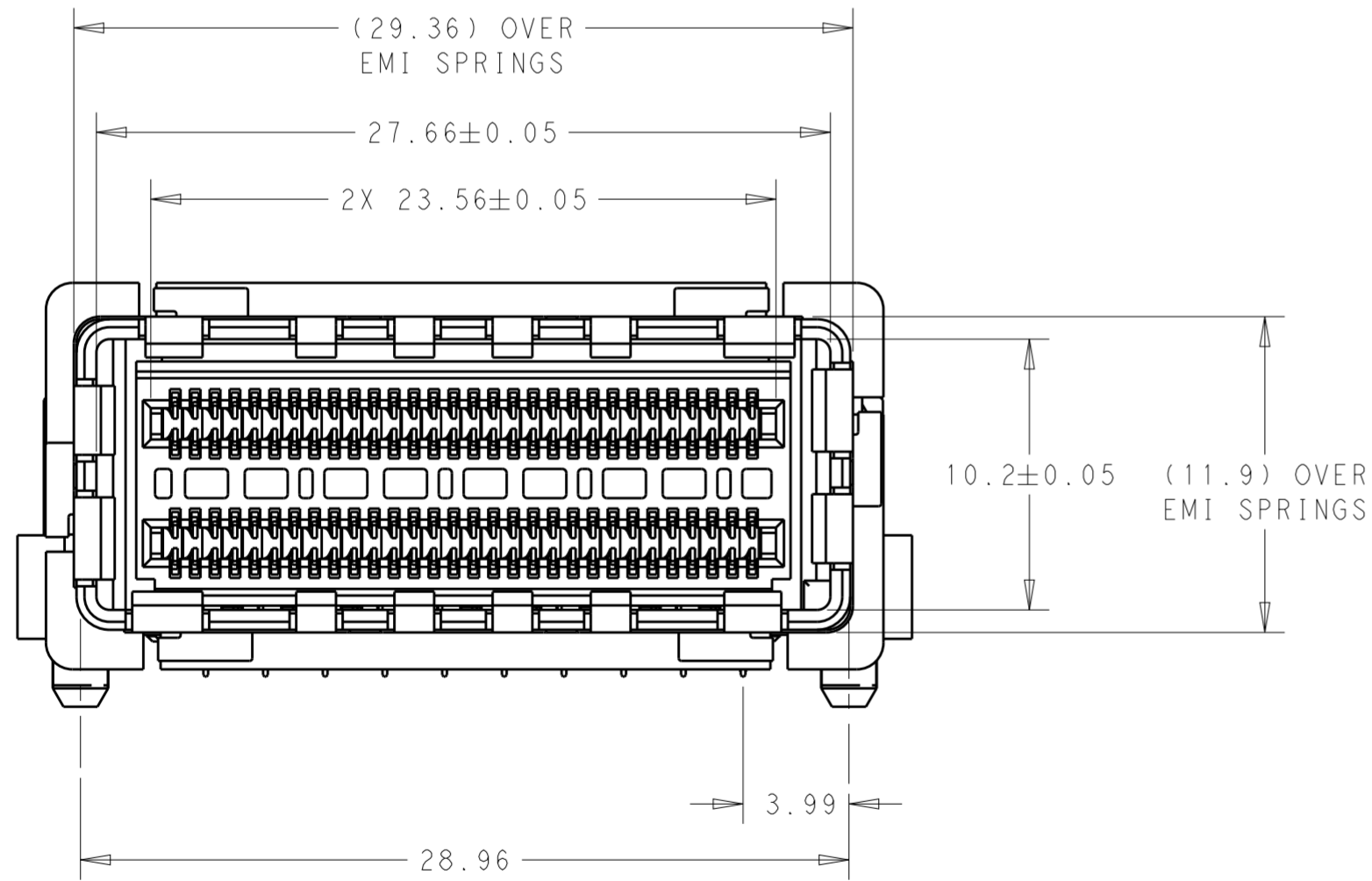
THIS DRAWING IS A CONTROLLED DOCUMENT.		DWN JASON YANG 30MAR2015	<b>STE</b> TE Connectivity	
DIMENSIONS: mm		CHK SEAN HAN 30MAR2015		
TOLERANCES UNLESS OTHERWISE SPECIFIED:		APVD SEAN HAN 30MAR2015	NAME RECEPTACLE, STYLE 1, CDFP	
0 PLC ±0.25		PRODUCT SPEC 108-32065	SIZE A2	
1 PLC ±0.25		APPLICATION SPEC 114-32114	CAGE CODE -	
2 PLC ±0.20		WEIGHT -	DRAWING NO. C-2291931	
3 PLC ±0.15		CUSTOMER DRAWING	RESTRICTED TO -	
4 PLC ±			SCALE 4:1 SHEET 1 OF 5 REV B	
ANGLES ±				
FINISH -				

THIS DRAWING IS UNPUBLISHED. RELEASED FOR PUBLICATION 20  
 © COPYRIGHT 20 BY - ALL RIGHTS RESERVED.

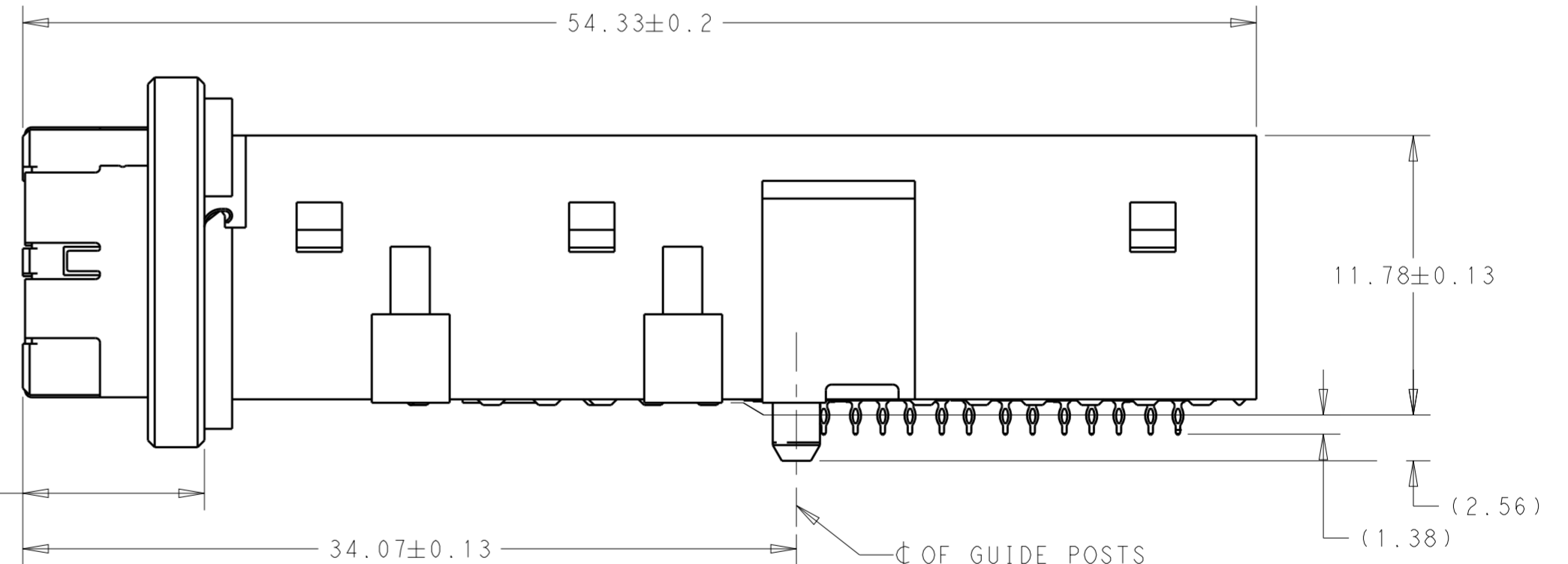
REVISIONS				
P	LTR	DESCRIPTION	DATE	APVD
-		SEE SHEET 1	-	-



2291931-1 SHOWN  
SCALE 3:1



17.06±0.13 KEY LOCATION  
5.5±0.1 KEY LENGTH



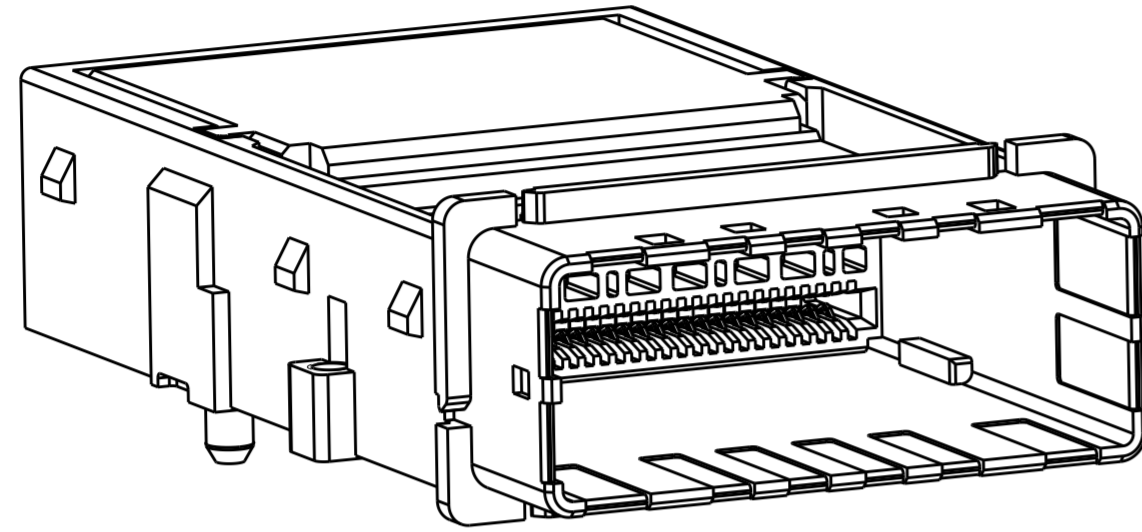
2291931-1 SHOWN  
SCALE 4:1

∅ OF GUIDE POSTS  
AND FIRST ROW OF  
COMPLIANT PINS.

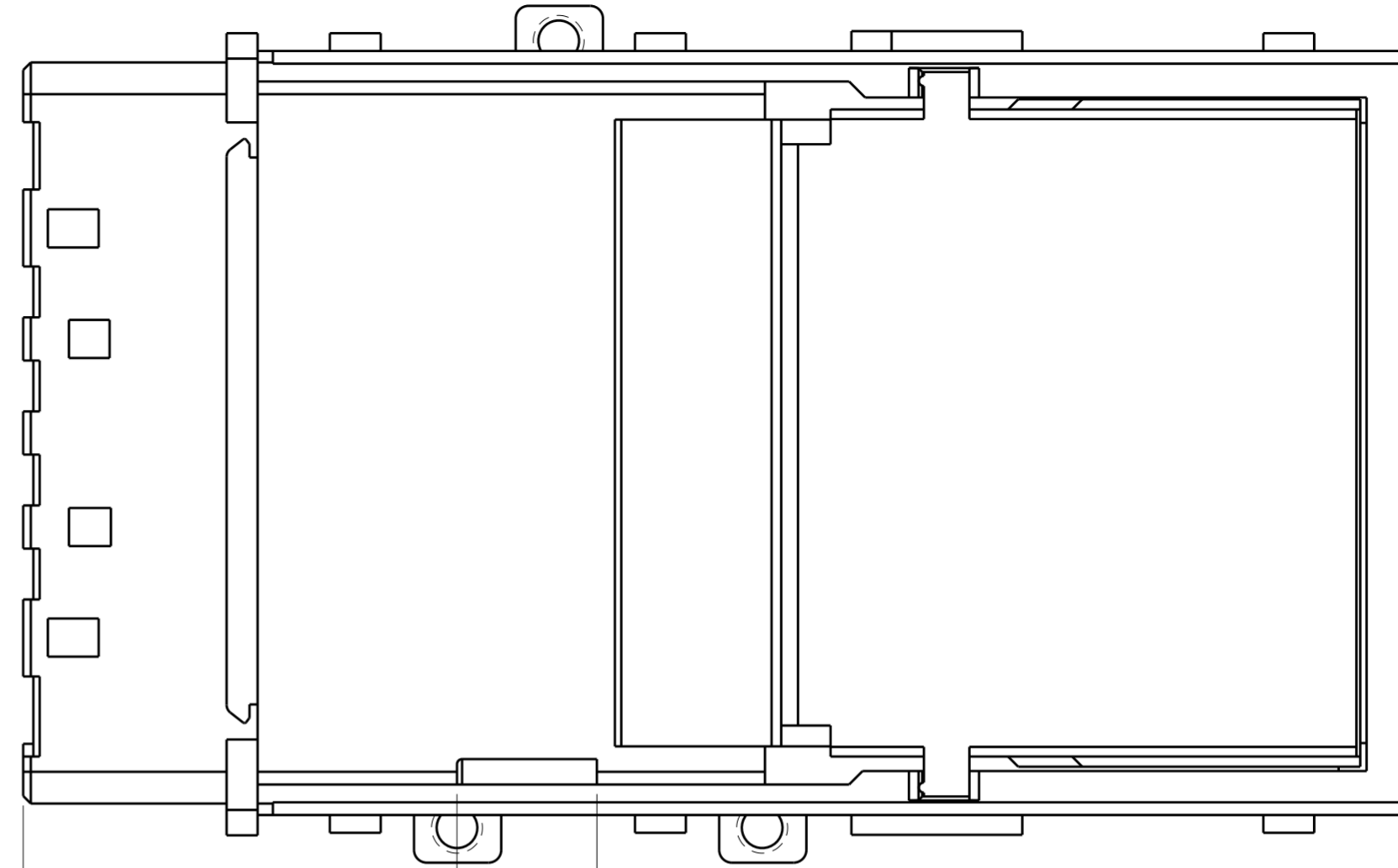
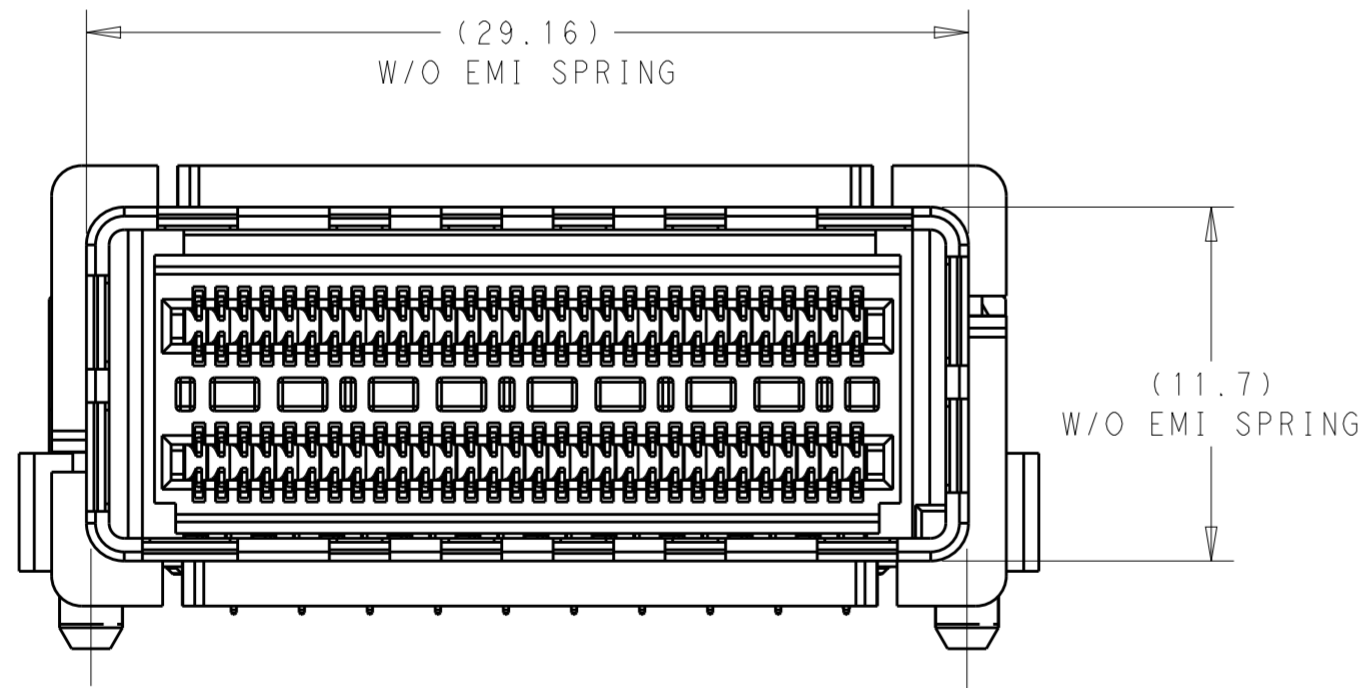
THIS DRAWING IS A CONTROLLED DOCUMENT.		DWN JASON YANG 30MAR2015	TE Connectivity	
DIMENSIONS:		CHK SEAN HAN 30MAR2015		
mm	TOLERANCES UNLESS OTHERWISE SPECIFIED:	APVD SEAN HAN 30MAR2015	NAME RECEPTACLE, STYLE 1, CDFP	
0 PLC ±0.25	1 PLC ±0.25	PRODUCT SPEC 108-32065	SIZE A2	CAGE CODE -
2 PLC ±0.20	3 PLC ±0.15	APPLICATION SPEC 114-32114	DRAWING NO G-2291931	RESTRICTED TO -
4 PLC ±	ANGLES ±	WEIGHT -	SCALE 4:1	SHEET 2 OF 5
MATERIAL -	FINISH -	CUSTOMER DRAWING	REV B	

THIS DRAWING IS UNPUBLISHED. RELEASED FOR PUBLICATION 20  
 © COPYRIGHT 20 BY - ALL RIGHTS RESERVED.

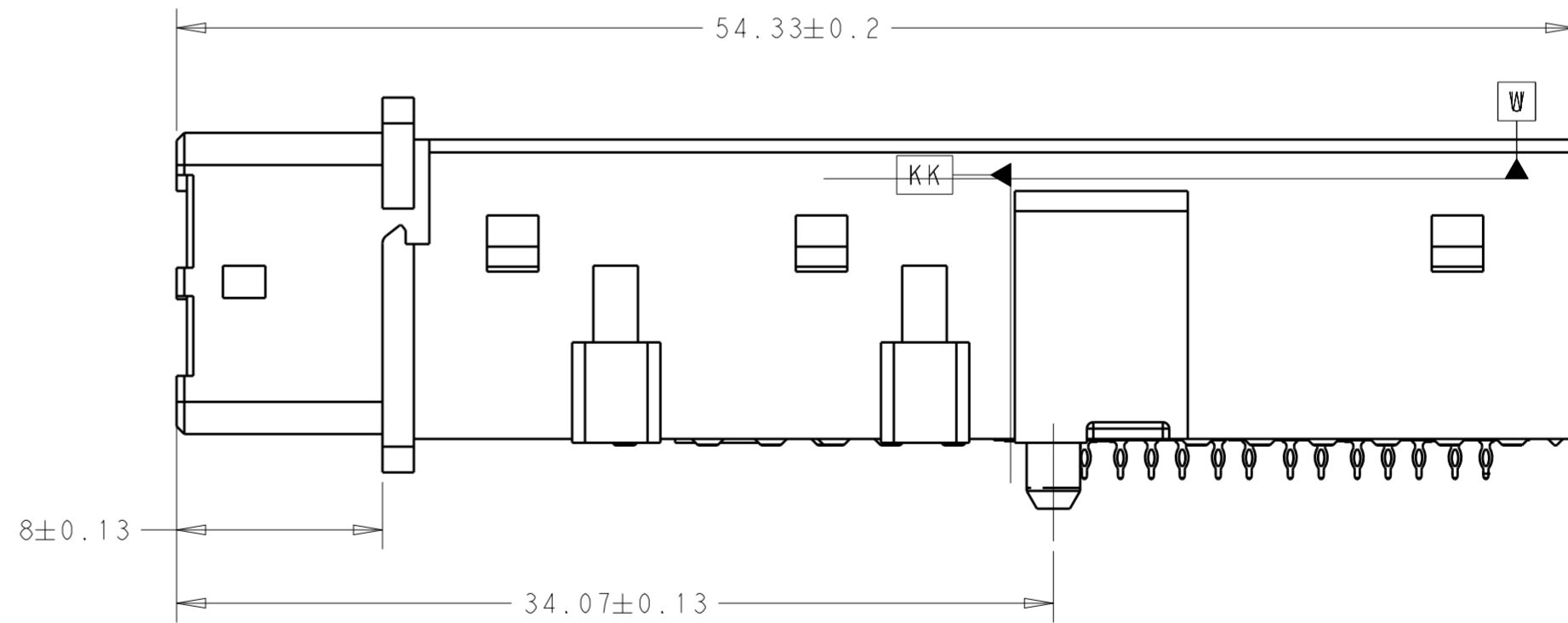
REVISIONS				
P	LTR	DESCRIPTION	DATE	APVD
-		SEE SHEET 1	-	-




2291931-2, -3 SHOWN  
 UNSPECIFIED DIMENSIONS ARE SAME AS 2291931-1  
 SCALE 3:1



17.06±0.13 KEY LOCATION  
 5.5±0.1 KEY LENGTH

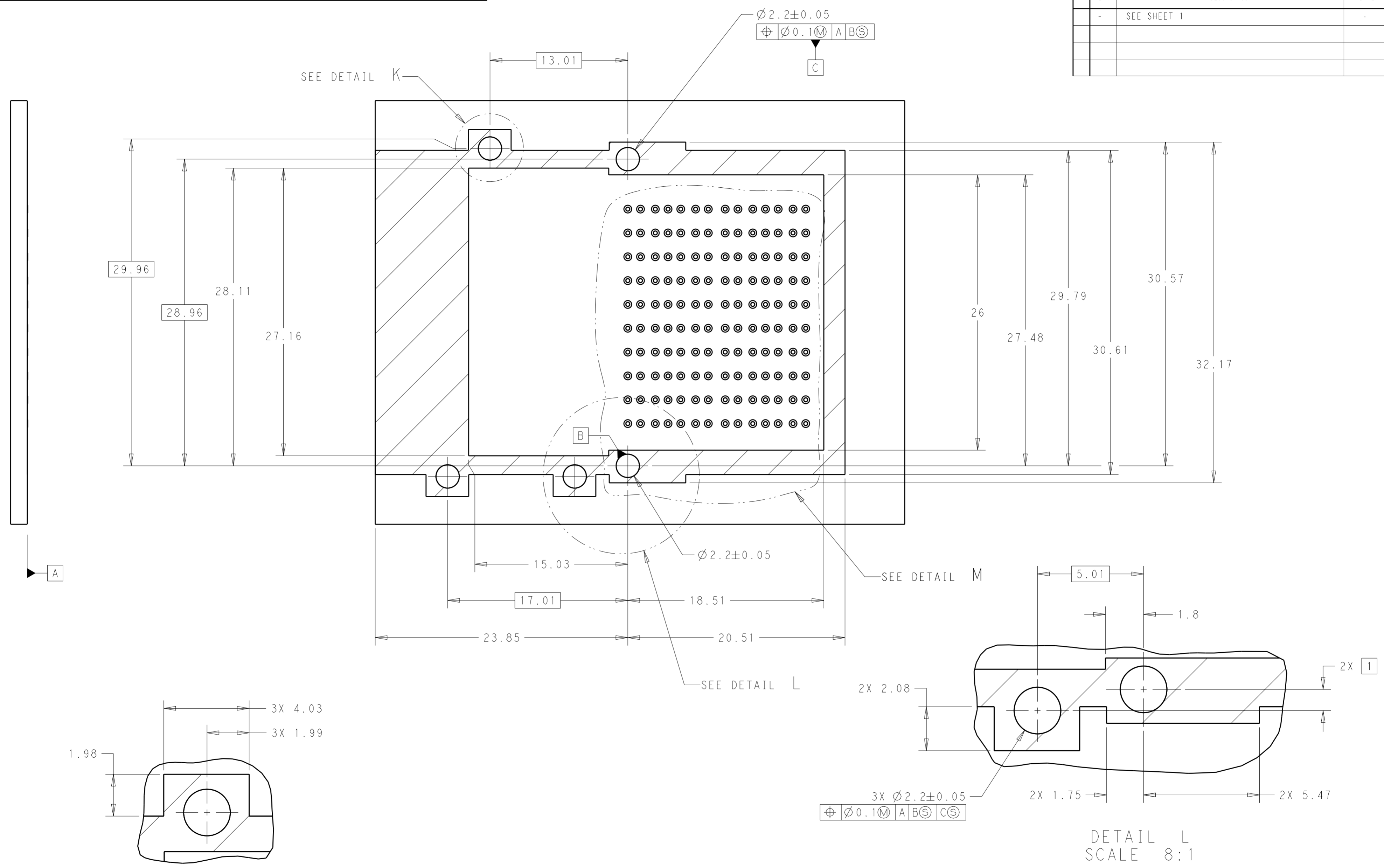


SCALE 4:1

THIS DRAWING IS A CONTROLLED DOCUMENT.		DWN 30MAR2015 JASON YANG	 TE Connectivity	
		CHK 30MAR2015 SEAN HAN		
		APVD 30MAR2015 SEAN HAN	NAME RECEPTACLE, STYLE 1, CDFP	
DIMENSIONS: mm		PRODUCT SPEC 108-32065	SIZE A2	CAGE CODE -
TOLERANCES UNLESS OTHERWISE SPECIFIED:		APPLICATION SPEC 114-32114	DRAWING NO. C-2291931	RESTRICTED TO -
0 PLC ±0.25		WEIGHT -	SCALE 4:1 SHEET 3 OF 5 REV B	
1 PLC ±0.25		CUSTOMER DRAWING		
2 PLC ±0.20				
3 PLC ±0.15				
4 PLC ±				
ANGLES ±				
FINISH -				
-				

THIS DRAWING IS UNPUBLISHED. RELEASED FOR PUBLICATION 20  
 © COPYRIGHT 20 BY - ALL RIGHTS RESERVED.

REVISIONS				
P	LTR	DESCRIPTION	DATE	APVD
-	-	SEE SHEET 1	-	-



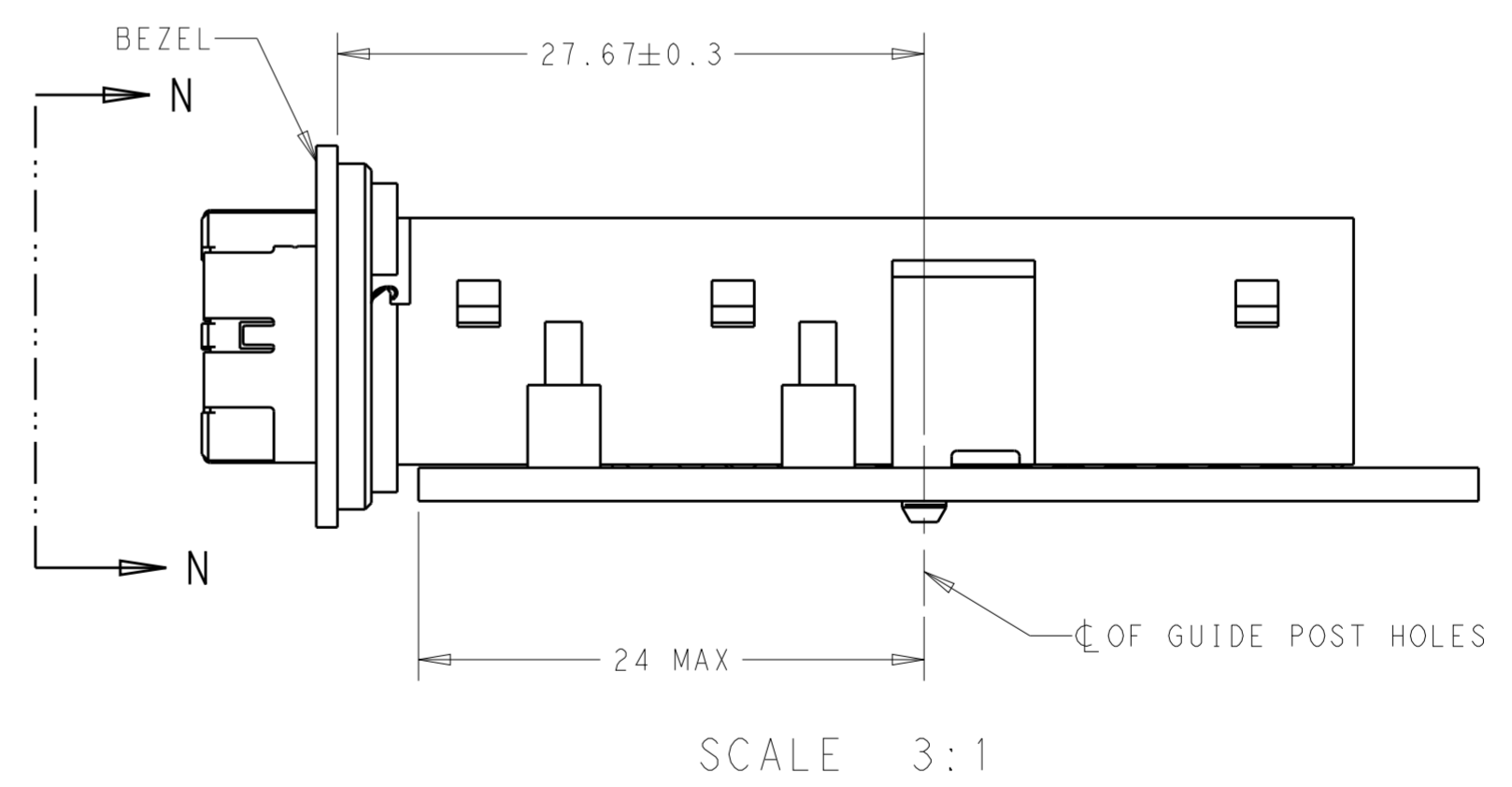
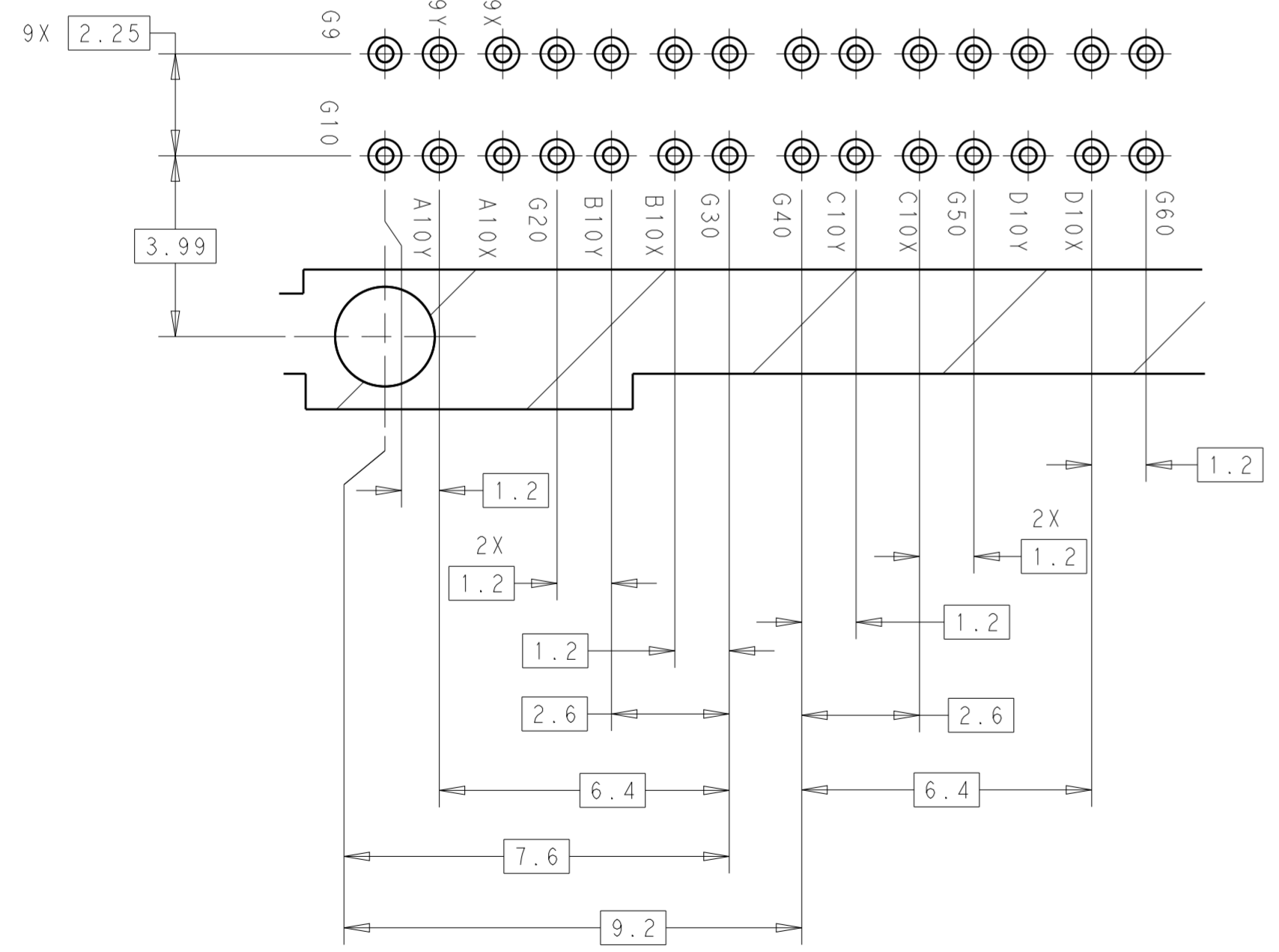
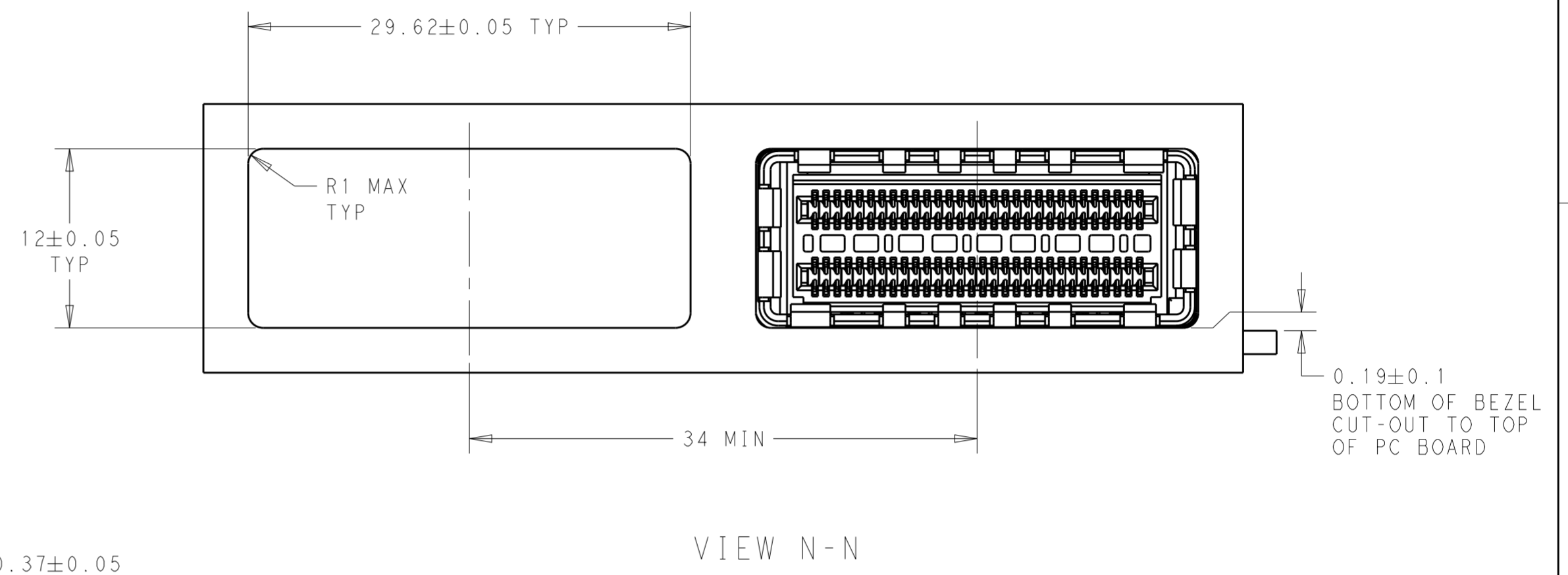
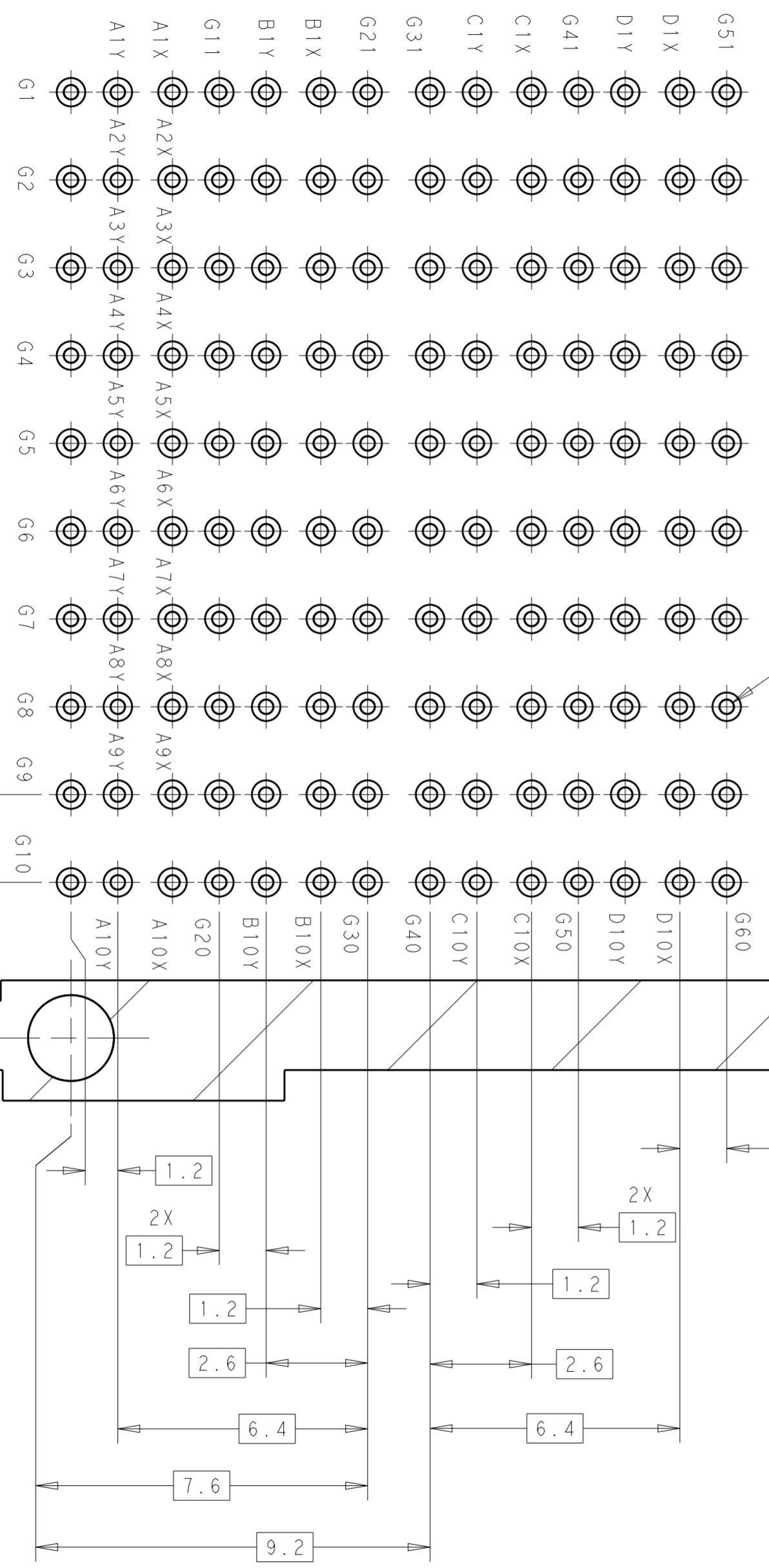
DETAIL K  
SCALE 8:1

DETAIL L  
SCALE 8:1

THIS DRAWING IS A CONTROLLED DOCUMENT.		DWN JASON YANG 30MAR2015	TE Connectivity	
		CHK SEAN HAN 30MAR2015		
		APVD SEAN HAN 30MAR2015	NAME RECEPTACLE, STYLE 1, CDFP	
DIMENSIONS:		PRODUCT SPEC		SIZE
mm		108-32065		A2
TOLERANCES UNLESS OTHERWISE SPECIFIED:		APPLICATION SPEC		CAGE CODE
0 PLC ±0.25		114-32114		-
1 PLC ±0.25		WEIGHT		DRAWING NO
2 PLC ±0.20		-		C-2291931
3 PLC ±0.15		CUSTOMER DRAWING		RESTRICTED TO
4 PLC ±		SCALE 4:1		-
ANGLES ±		SHEET 4 OF 5		REV B
FINISH -				

THIS DRAWING IS UNPUBLISHED. RELEASED FOR PUBLICATION 20  
 © COPYRIGHT 20 BY - ALL RIGHTS RESERVED.

REVISIONS				
P	LTR	DESCRIPTION	DATE	APVD
-	-	SEE SHEET 1	-	-



DETAIL M  
SCALE 8:1

THIS DRAWING IS A CONTROLLED DOCUMENT.		DWN JASON YANG 30MAR2015	TE Connectivity	
		CHK SEAN HAN 30MAR2015		
		APVD SEAN HAN 30MAR2015	NAME RECEPTACLE, STYLE 1, CDFP	
DIMENSIONS: mm		PRODUCT SPEC 108-32065	SIZE A2	CAGE CODE -
TOLERANCES UNLESS OTHERWISE SPECIFIED:		APPLICATION SPEC 114-32114	DRAWING NO. C-2291931	RESTRICTED TO -
MATERIAL -		WEIGHT -	SCALE 4:1	SHEET 5 OF 5
		CUSTOMER DRAWING	REV B	