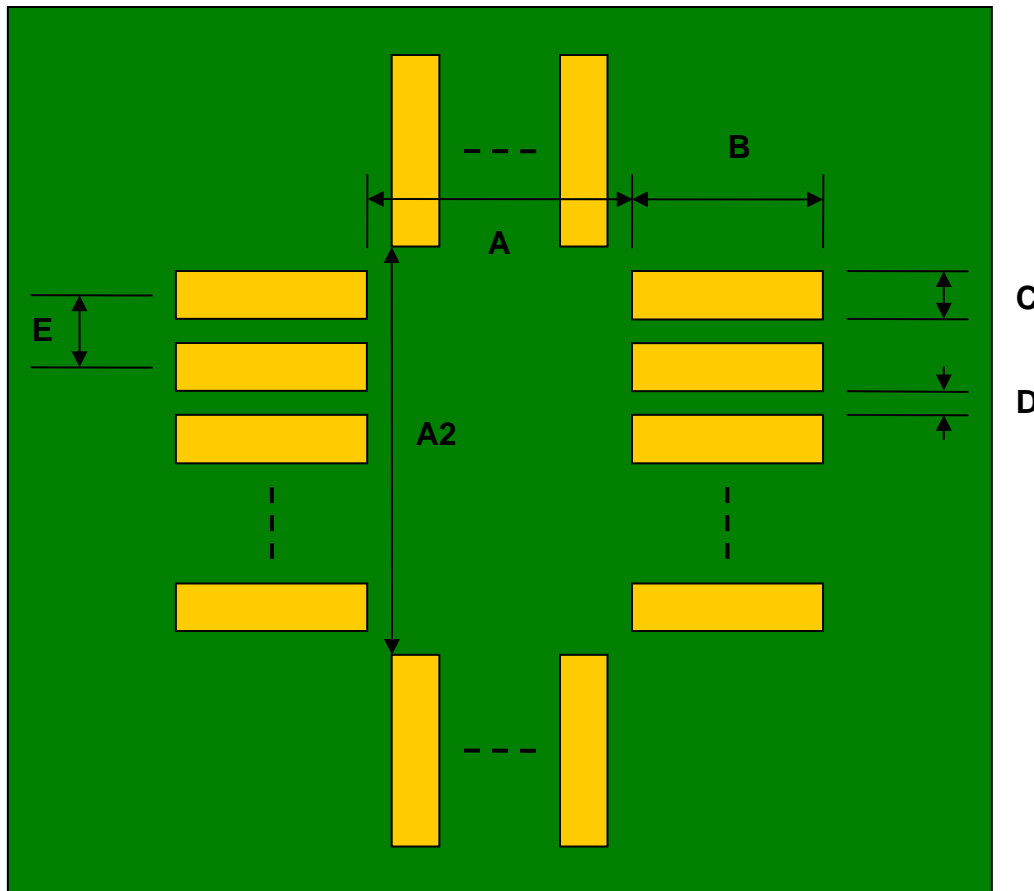


PLCC-84/JLCC-84/LCC-84 to PGA-84 SMT Adapter (1.27 mm pitch, 30 x 30 mm body)

REF.	DIMENSIONS					
	mm			inches		
	MIN.	TYP.	MAX.	MIN.	TYP.	MAX.
A		26.95				
A2		26.95				
B		2.75				
C		0.80				
D		0.47				
E		1.27				

Top View (SMT Footprint)



(Representative drawing only - not to scale)