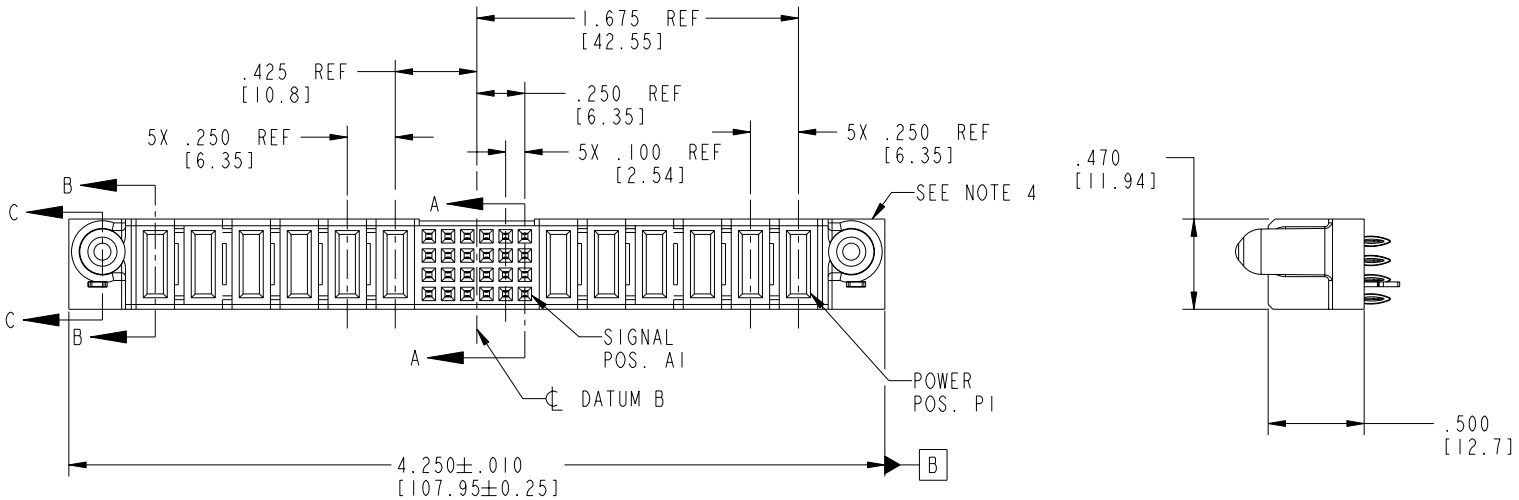


Tous droits strictement reserves. Reproduction ou communication a des tiers interdite sous quelque forme que ce soit sans autorisation ecrite du proprietaire. Propriete de c FCI. Droits de reproduction FCI.

FCI

All rights strictly reserved. Reproduction or issue to third parties in any form whenever is not permitted without written authority from the proprietor. Property of FCI. Copyright FCI.

PRODUCT NO.	ROWS	POWER						SIGNAL					POWER									
		E2	P12	P11	P10	P9	P8	P7	6	5	4	3	2	1	P6	P5	P4	P3	P2	P1	E1	
51750-046-- NOTE: 3	D C B A		PC	PC	PC	PC	PC	PF	F	F	F	F	F	F	F	F	PC	PC	PC	PC	PC	



CODE	DIM "M" MATING LENGTH	CONTACT TYPE
F	N/A [N/A]	SIGNAL
PC	.042 [1.07]	POWER
PF	.092 [2.34]	POWER
HA	N/A [N/A]	HOLD-DOWN

mat'l code		SEE NOTE 2		tolerances unless otherwise specified		CUSTOMER		FCI		www.fciconnect.com		
ltr	ecn no.	dr	date	linear	.XX±.01/0.XX±0.3	COPY		projection	title			
A	V03-0365	MEM	4/3/03		.XXX±.005/0.XX±0.13	6P + 24S + 6P			VERTICAL PRESS-FIT RECEPT			
B	DG05-0300	GuoJM	08/29/05	angles	.XXX±.0020/0.XXX±0.051	INCH/MM			product family			
				dr	M. MOSTOLLER	4/3/03	scale		PwrBlade		code	
				enr	M. MOSTOLLER	4/3/03	1:1		size		213	
				chr	H. BREWBAKER	4/3/03			dwg no		sheet	
				appd	M. MOSTOLLER	4/3/03			A		51750-046	1 of 4
sheet index		revision sheet		B	B	B	B					sheet
1		2		3	4					1		

1 | 2

Pro/E

3 |

cage code 22526

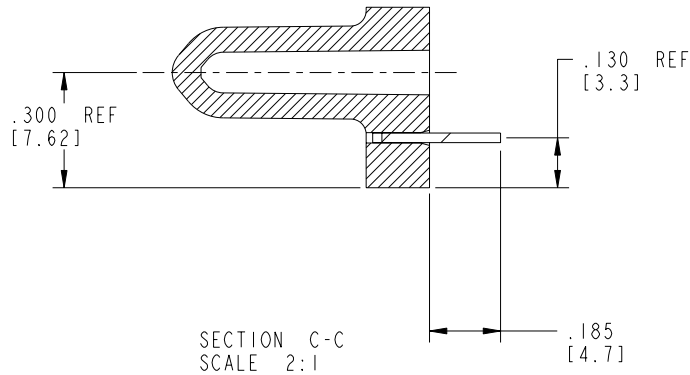
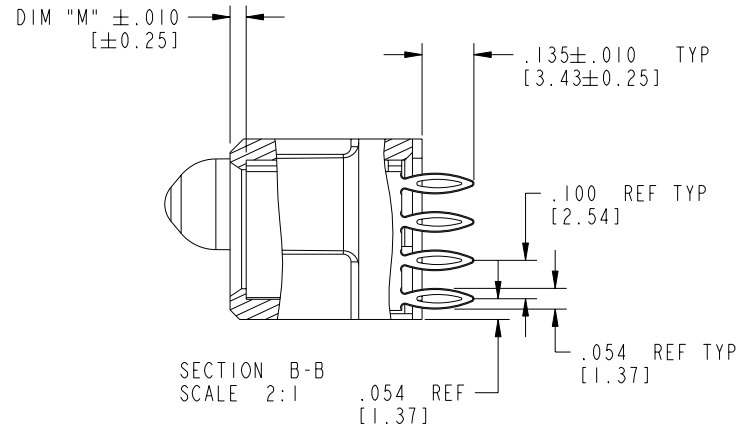
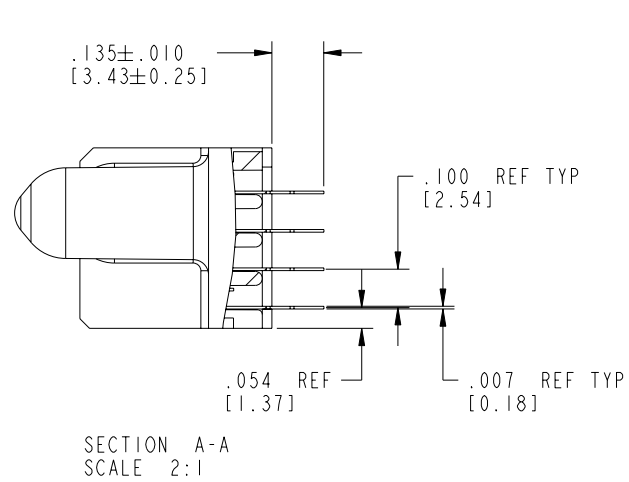
4


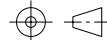

Tous droits strictement reserves. Reproduction ou communication a des tiers interdite sous quelque forme que ce soit sans autorisation écrite du propriétaire. Propriete de c FCI. Droits de reproduction FCI.

A
FCI

All rights strictly reserved. Reproduction or issue to third parties in any form whatever is not permitted without written authority from the proprietor. Property of FCI. Copyright FCI.

PRODUCT NUMBER
51750-046--
NOTE: 3



mat'l code		SEE NOTE 2		tolerances unless otherwise specified		CUSTOMER		 FCI www.fciconnect.com	
ltr	ecn no.	dr	date	linear	.XX±.01/0.X±0.3	COPY			
B				projection	.XXX±.005/0.XX±0.13			title	6P + 24S + 6P
				angles	.XXX±.0020/0.XXX±0.051			VERTICAL PRESS-FIT RECEPT	
				dr	M. MOSTOLLER 4/3/03	scale		product family	PwrBlade
				enr	M. MOSTOLLER 4/3/03	1:1		code	213
				chr	H. BREWBAKER 4/3/03			size	dwg no
				appd	M. MOSTOLLER 4/3/03			A	51750-046
sheet index	revision sheet							sheet	2 of 4

Pro/E

cage code 22526

PDM: Rev:B

STATUS: Released

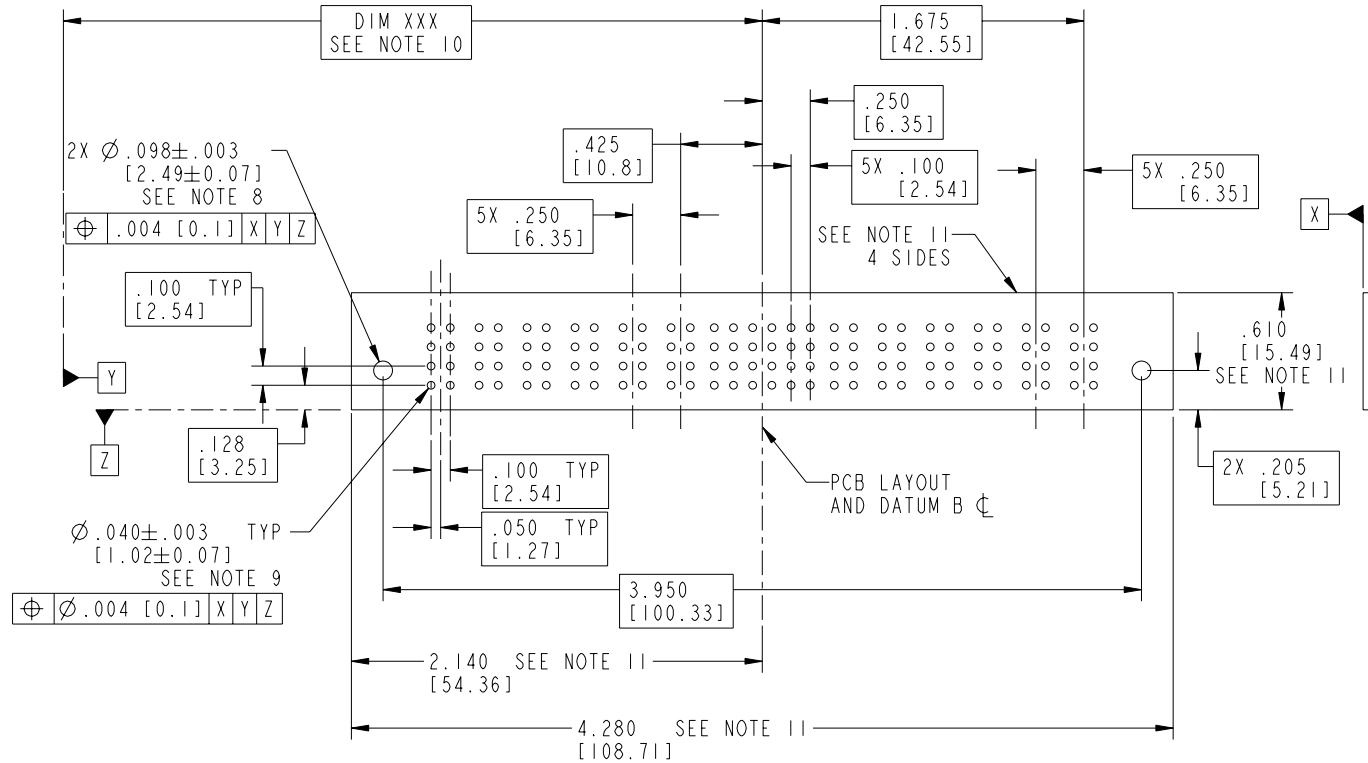
Printed: Dec 20, 2010

Tous droits strictement réservés. Reproduction ou communication a des tiers interdite sous quelque forme que ce soit sans autorisation écrite du propriétaire. Propriété de c FCI. Droits de reproduction FCI.



All rights strictly reserved. Reproduction or issue to third parties in any form whatever is not permitted without written authority from the proprietor. Property of FCI. Copyright FCI.

PRODUCT NUMBER
51750-046--
NOTE: 3



mat'l code				SEE NOTE 2		tolerances unless otherwise specified		CUSTOMER		www.fciconnect.com	
ltr	ecn no.	dr	date	linear	.XX±.01/0.X±0.3		COPY			title 6P + 24S + 6P	
B					.XXX±.005/0.XX±0.13		projection			VERTICAL PRESS-FIT RECEPT	
					.XXX±.0020/0.XXX±0.051					product family PwrBlade code 213	
				angles	0° ± 2°		INCH/MM		product size		
				dr	M. MOSTOLLER	4/3/03	scale 1:1		dwg no 51750-046		
				enr	M. MOSTOLLER	4/3/03			sheet 3 of 4		
				chr	H. BREWBAKER	4/3/03					
				appd	M. MOSTOLLER	4/3/03					
sheet index	revision sheet										

cage code 22526

Pro/E

PDM: Rev:B

STATUS: Released

Printed: Dec 20, 2010

Tous droits strictement réservés. Reproduction ou communication a des tiers interdite sous quelque forme que ce soit sans autorisation écrite du propriétaire. Propriété de c FCI. Droits de reproduction FCI.

A **FCI**

All rights strictly reserved. Reproduction or issue to third parties in any form whatever is not permitted without written authority from the proprietor. Property of FCI. Copyright FCI.

B

PRODUCT NUMBER
51750-046__
NOTE: 3

NOTES:

1. DIMENSIONS AND TOLERANCES ARE IN ACCORDANCE WITH ASME Y14.5M, 1994 UNLESS OTHERWISE SPECIFIED.

CONNECTOR NOTES:

② HOUSING MATERIAL: UL 94 V-0 GLASS FILLED
HIGH-TEMP THERMOPLASTIC
POWER CONTACT MATERIAL: COPPER ALLOY
SIGNAL PIN MATERIAL: COPPER ALLOY

3. PLATING:

51750-046 Singal Pin:30u"/0.76um Au OVER 50u"/1.27um Ni ON THE CONTACT AREA,
AND 100u"/2.54um SnPb PLATING OVER 50u"/1.27um Ni ON THE TERMINATION SECTION.
Power Pin:30u"/0.76um Au OVER 50u"/1.27um Ni ON THE CONTACT AREA,
AND 100u"/2.54um SnPb PLATING OVER 50u"/1.27um Ni ON THE TERMINATION SECTION.

51750-046LF Singal Pin:30u"/0.76um Au OVER 50u"/1.27um Ni ON THE CONTACT AREA,
AND 78u"/2.00um Sn PLATING OVER 50u"/1.27um Ni ON THE TERMINATION SECTION.
Power Pin:30u"/0.76um Au OVER 50u"/1.27um Ni ON THE CONTACT AREA,
AND 78u"/2.00um Sn PLATING OVER 50u"/1.27um Ni ON THE TERMINATION SECTION.

PART NUMBER 51750-046LF MEETS EUROPEAN UNION DIRECTIVE AND OTHER COUNTRY REGULATIONS AS DESCRIBED IN GS-22-008.

THE HOUSING WILL WITHSTAND EXPOSURE TO 260° PEAK TEMPERATURE FOR 10 SECONDS IN A WAVE SOLDER APPLICATION WITH A CIRCUIT BOARD.

④ MANUFACTURER'S NAME, P/N, AND DATE CODE TO APPEAR ON THIS SURFACE.

5. PRODUCT SPECIFICATION GS-12-149.
APPLICATION SPECIFICATION BUS-20-067.

6. PACKAGED IN TRAYS.

PCB NOTES:

7. ALL HOLE DIAMETERS ARE FINISHED HOLE SIZE.

⑧ MOUNTING HOLES, WHERE APPLICABLE, ARE UNPLATED.

⑨ $\varnothing .0453 \pm .0010$ [1.151 ± 0.025] DRILLED HOLES PLATED WITH
.0003 [0.008] MIN SnPb OVER .001 [0.03]
TO .003 [0.08] Cu PLATING TO ACHIEVE
 $\varnothing .040 \pm .003$ [1.02 ± .07] HOLE.

⑩ "DIM XXX" TO BE DETERMINED BY THE CUSTOMER.

⑪ CONNECTOR KEEP-OUT ZONE.

mat'l code		SEE NOTE 2		tolerances unless otherwise specified		CUSTOMER		A FCI www.fciconnect.com	
ltr	ecn no.	dr	date	linear	.XX±.01/0.X±0.3		COPY		title 6P + 24S + 6P VERTICAL PRESS-FIT RECEPT
B					.XXX±.005/0.XX±0.13		projection		
				angles	.XXX±.0020/0.XXX±0.051		INCH/MM		product family PwrBlade code 213 size dwg no 51750-046 sheet 4 of 4
					0° ± 2°		scale 1:1		
		dr		enr	M. MOSTOLLER	4/3/03	A		
		enr		chr	M. MOSTOLLER	4/3/03			
		chr		appd	H. BREWBAKER	4/3/03			
		appd			M. MOSTOLLER	4/3/03			
sheet index	revision sheet								

1 | 2

Pro/E

3 |

cage code 22526

4