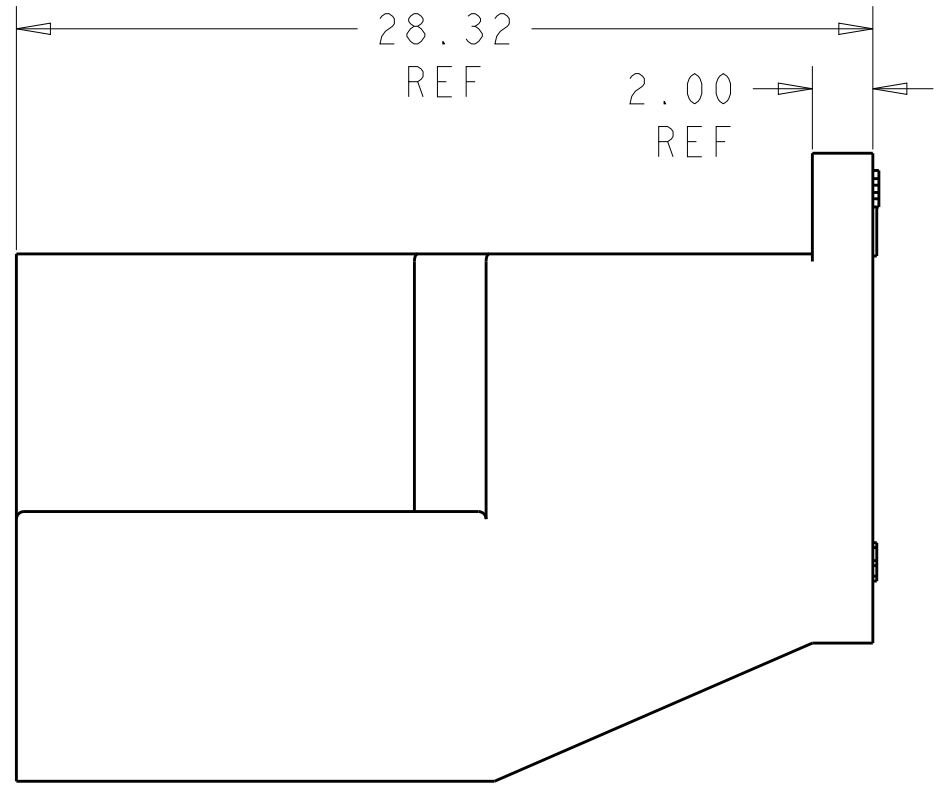


THIS DRAWING IS UNPUBLISHED. RELEASED FOR PUBLICATION 20
 © COPYRIGHT 20 BY - ALL RIGHTS RESERVED.

LOC	DIST	REVISIONS					
AF	50	P	LTR	DESCRIPTION	DATE	DWN	APVD
				C3 REVISED PER ECO-16-013983	26SEP2016	RS	DH

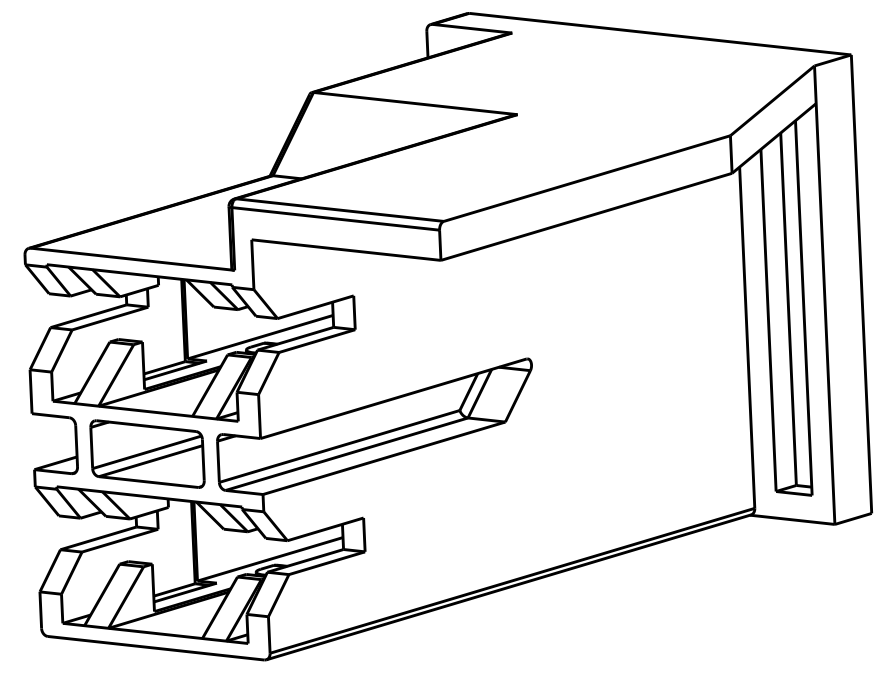
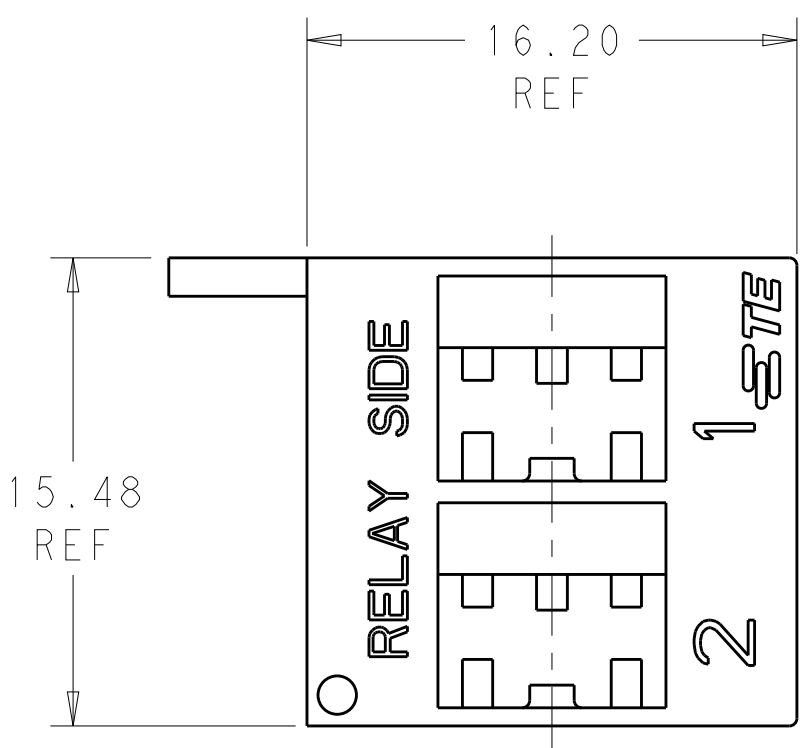
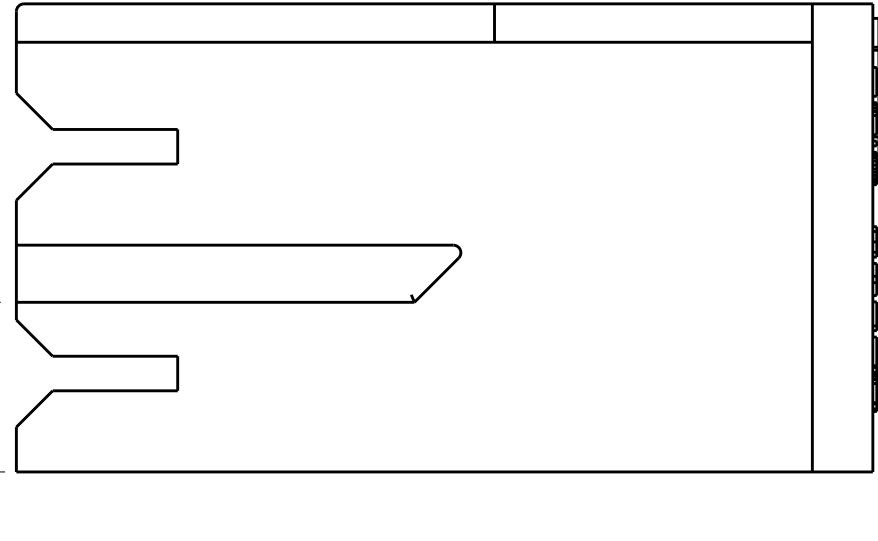
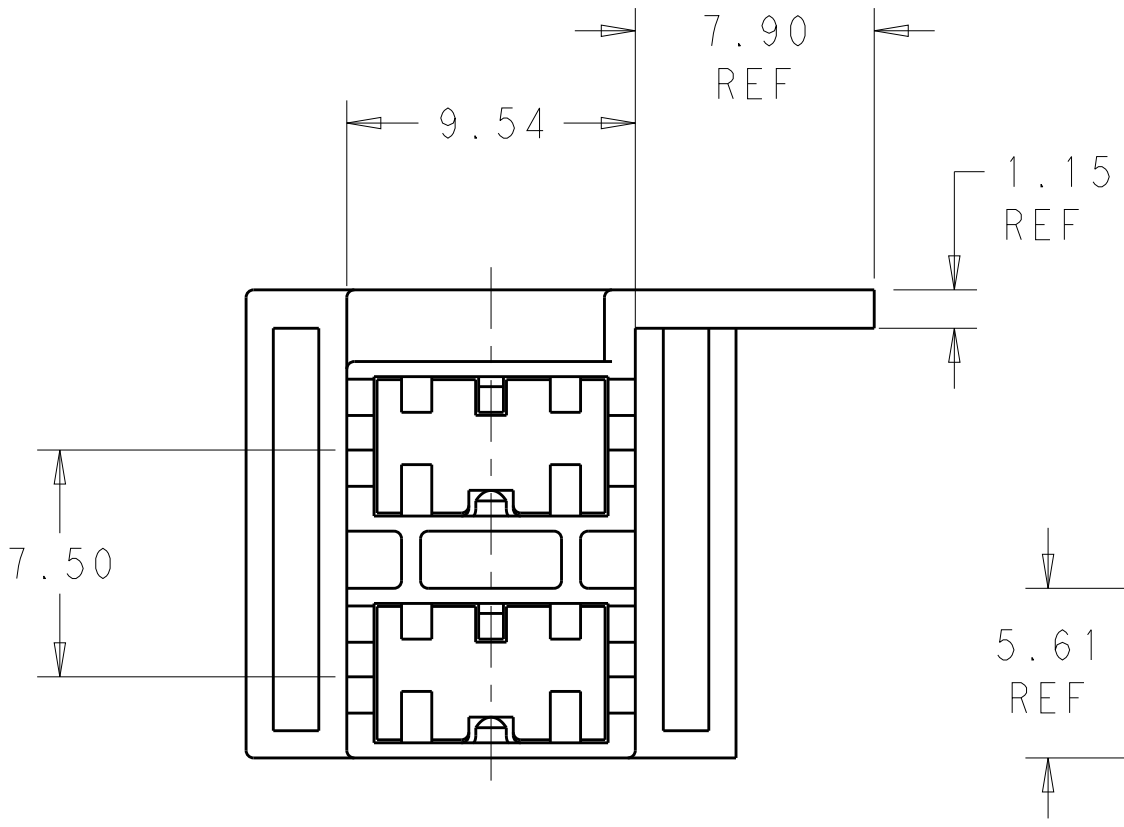


1 ACCEPTS RECEPTACLE CONTACTS 1-160759-1 (20-16) AWG, 154718-3 (18-14) AWG, 154717-3 (14-11) AWG.

~~2 PREPRODUCTION ONLY - FASR REQUIRED.~~

3 DUE TO LIGHT PIGMENTATION, THE PARTS MAY HAVE SOME COLOR VARIATION/MARBLING.

4 PRELIMINARY- NOT FOR PRODUCTION



BLACK	1969717-6
NATURAL	1969717-5
GREEN ³	⁴ 1969717-4
YELLOW ³	1969717-3
COLOR	PART NO.

THIS DRAWING IS A CONTROLLED DOCUMENT.		DWN B WAYNE 15JAN15	STE TE Connectivity	
DIMENSIONS: mm		CHK DAVE HUMPHREY 15JAN15		
TOLERANCES UNLESS OTHERWISE SPECIFIED:		APVD DAVE HUMPHREY 15JAN15	NAME HOUSING, RECEPTACLE, POSI-LOCK, 2 POSITION, 6.35 SERIES	
0 PLC ±		PRODUCT SPEC	SIZE CAGE CODE DRAWING NO RESTRICTED TO	
1 PLC ±		APPLICATION SPEC	A200779 C-1969717	
2 PLC ±0.25		WEIGHT	SCALE 4:1 SHEET 1 OF 1 REV C3	
3 PLC ±		CUSTOMER DRAWING		
4 PLC ±				
ANGLES ±				
FINISH				
MATERIAL 6/6 NYLON, V0		SEE TABLE		