

4

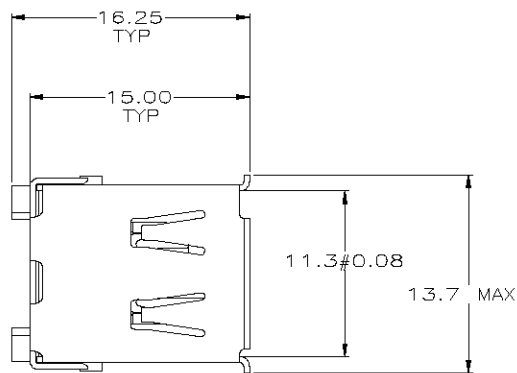
3

2

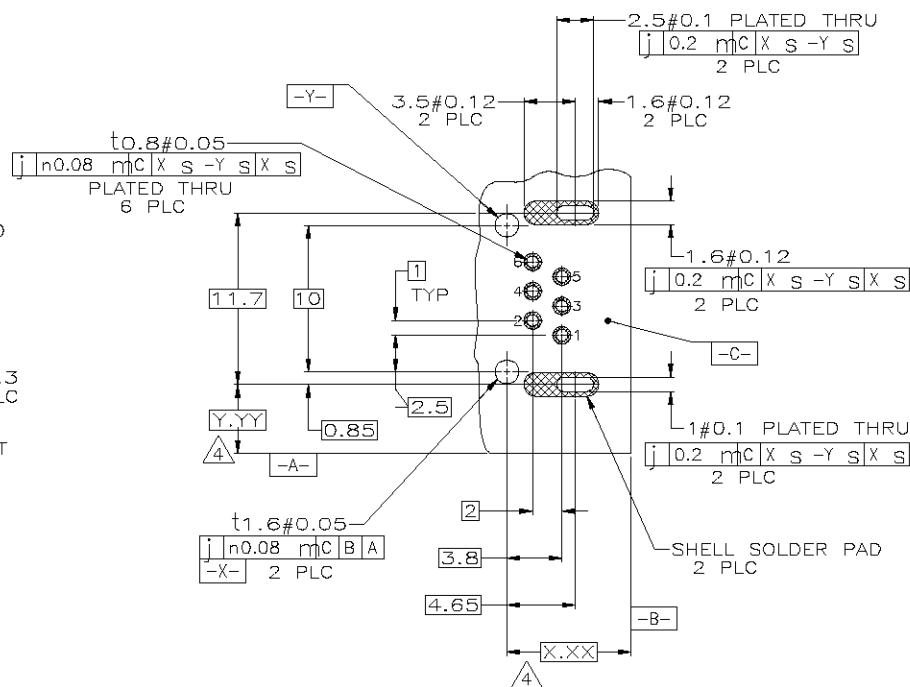
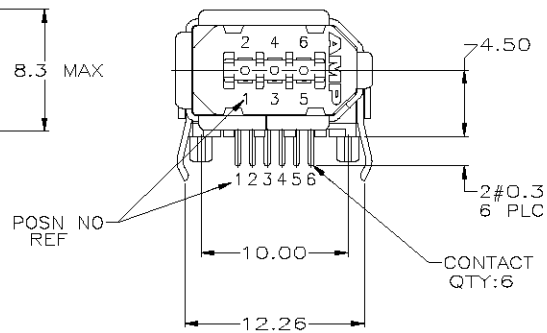
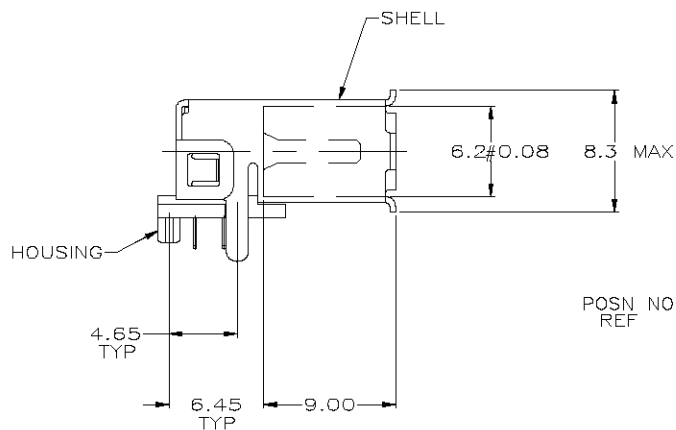
1

THIS DRAWING IS UNPUBLISHED. RELEASED FOR PUBLICATION
© COPYRIGHT BY TYCO ELECTRONICS CORPORATION. ALL RIGHTS RESERVED.

LOC	DIST	REVISIONS					
ES	00	P	LTR	DESCRIPTION	DATE	DNW	APVD
		A	RELEASED	ECR-05-004095	23MAY05	G.Z.	Y.S.



- ⚠ 0.076| m MIN GOLD OVER 0.76| m MIN PALLADIUM-NICKEL OR (0.76| m MIN GOLD) FOR A LENGTH OF 2 MIN ON MATING FACE END, 3.81| m MIN TIN FOR A LENGTH OF 2.2 MIN ON OPPOSITE END, ALL OVER 1.27| m MIN NICKEL.
- ⚠ 5.08| m MIN TIN.
- ⚠ LCP, BLACK, UL 94V-0 RATED.
- ⚠ DIMENSION TO BE ESTABLISHED BY CUSTOMER, X.XX BSC TO BE 8.45 MIN.



RECOMMENDED PWB LAYOUT
CONNECTOR SIDE

5788516-1
PART NO

THIS DRAWING IS A CONTROLLED DOCUMENT.		DNW GAVIN ZHANG 23MAY05	Tyco Electronics Corporation Shanghai, P.R.China, 200233																		
		CHK STEVEN YAO 23MAY05																			
DIMENSIONS:		APVD STEVEN YAO 23MAY05	NAME																		
mm		PRODUCT SPEC																			
<table border="1"> <tr><td>0 PLC</td><td>±</td><td>-</td></tr> <tr><td>1 PLC</td><td>±</td><td>-</td></tr> <tr><td>2 PLC</td><td>±</td><td>0.13</td></tr> <tr><td>3 PLC</td><td>±</td><td>-</td></tr> <tr><td>4 PLC</td><td>±</td><td>-</td></tr> <tr><td>ANGLES</td><td>±</td><td>-</td></tr> </table>		0 PLC	±	-	1 PLC	±	-	2 PLC	±	0.13	3 PLC	±	-	4 PLC	±	-	ANGLES	±	-	APPLICATION SPEC	
0 PLC	±	-																			
1 PLC	±	-																			
2 PLC	±	0.13																			
3 PLC	±	-																			
4 PLC	±	-																			
ANGLES	±	-																			
MATERIAL:		WEIGHT																			
CONTACTS: BRASS		-																			
SHELL: PHOS BRONZE		A2 00779																			
HOUSING: ⚠		C=5788516																			
FINISH:		RESTRICTED TO																			
CONTACTS: ⚠		-																			
SHELL: ⚠		CUSTOMER DRAWING																			
		SCALE 4:1 SHEET 1 OF 1 REV A																			