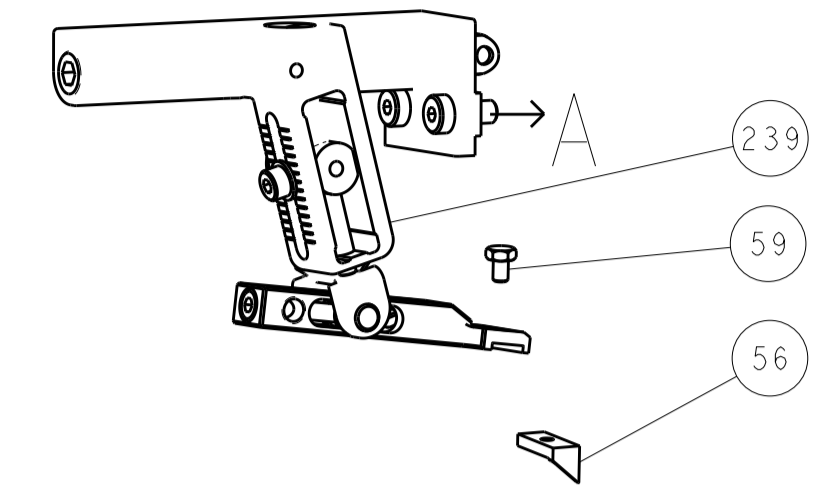
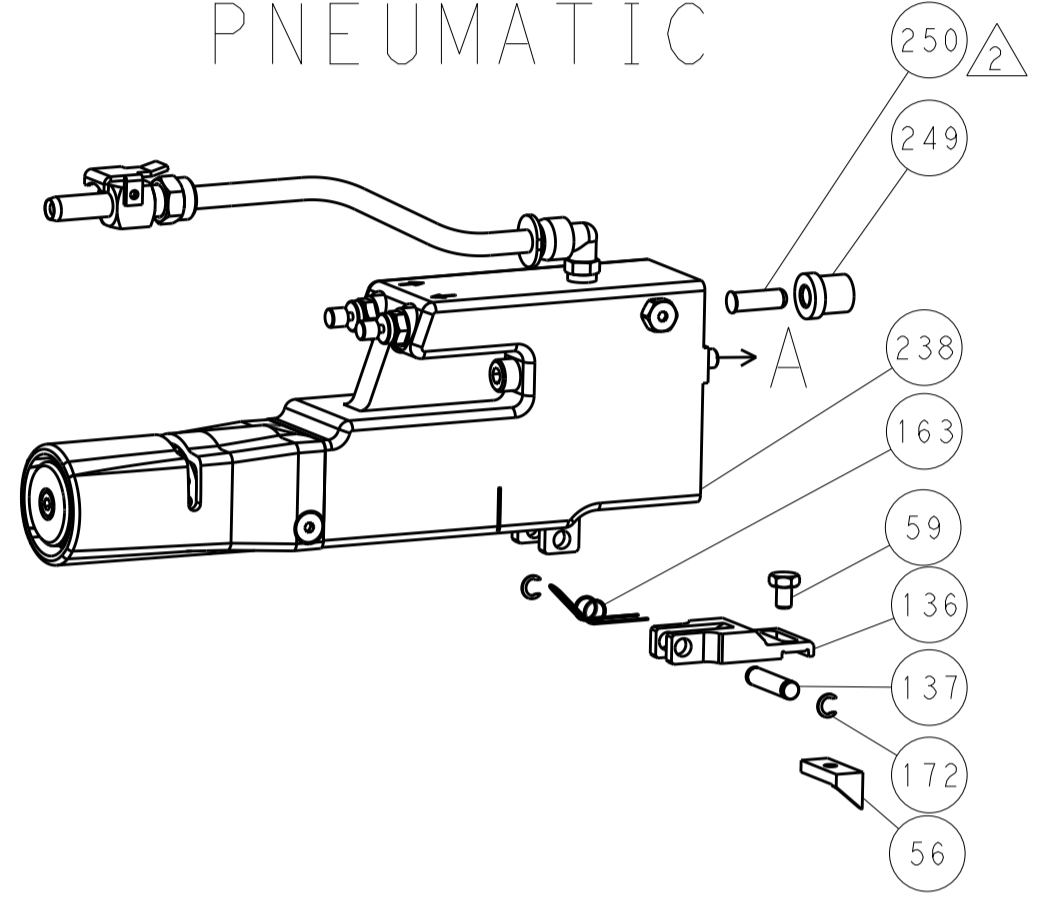


LOC	DIST	REV	DATE	BY	APPV
A	66				
REVISIONS			DESCRIPTION	DATE	BY
-			SEE SHEET 1	-	-

FEED TYPE MECHANICAL



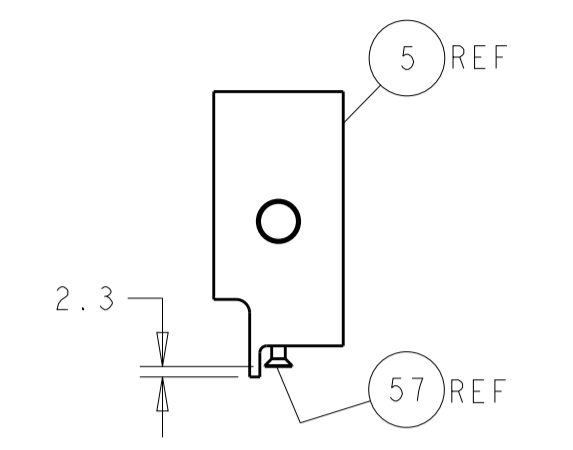
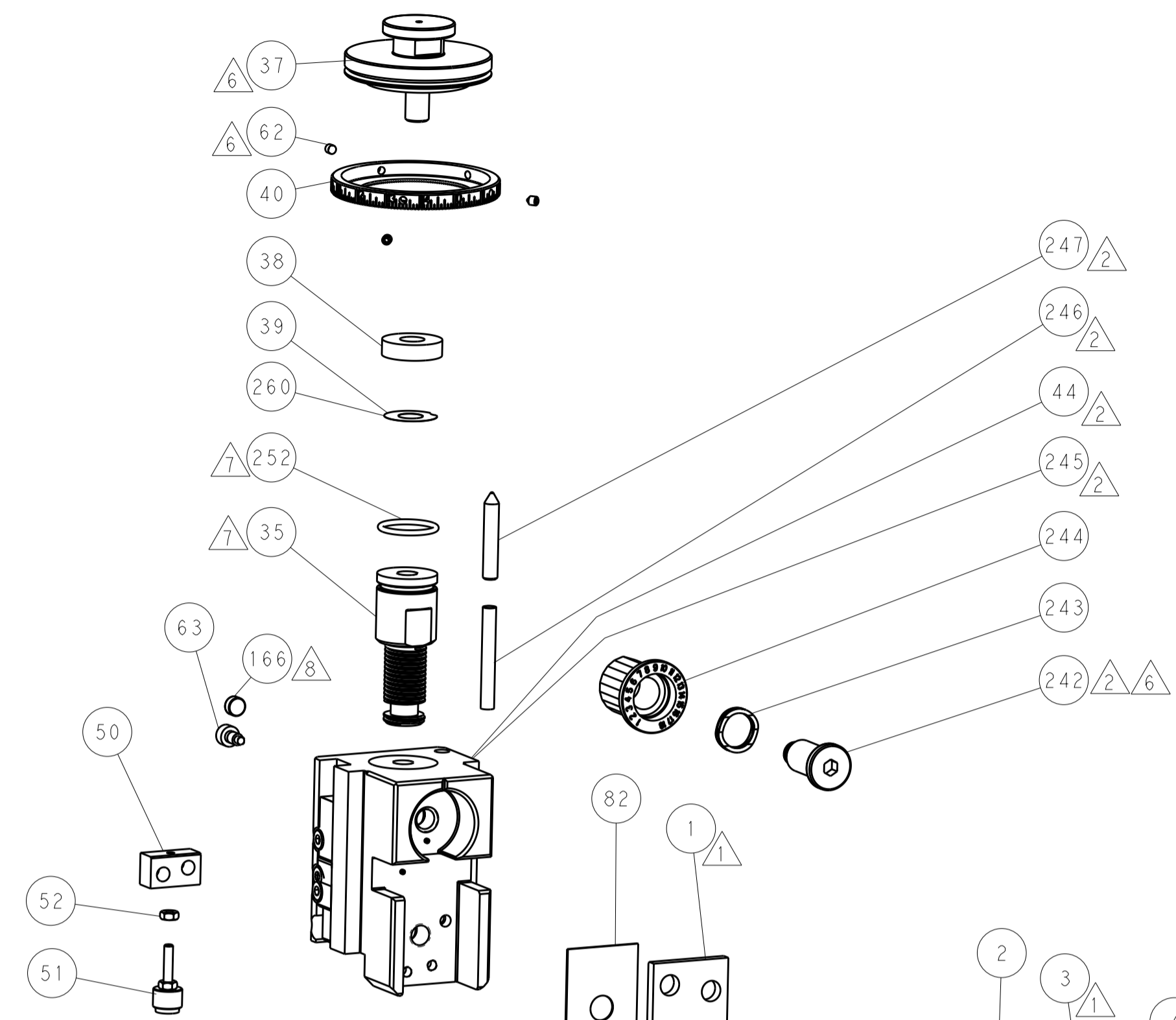
PNEUMATIC



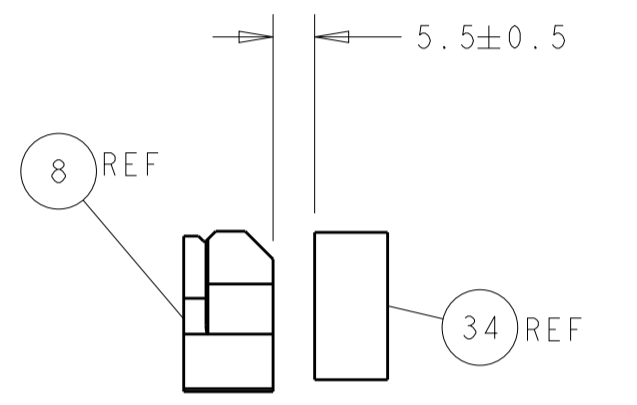
SERVO LATCH PLATE



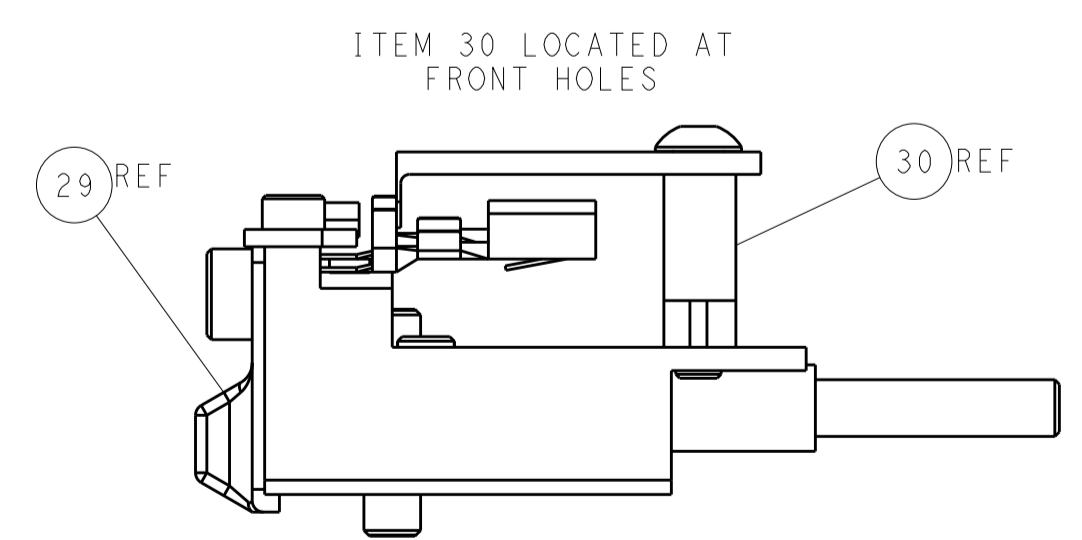
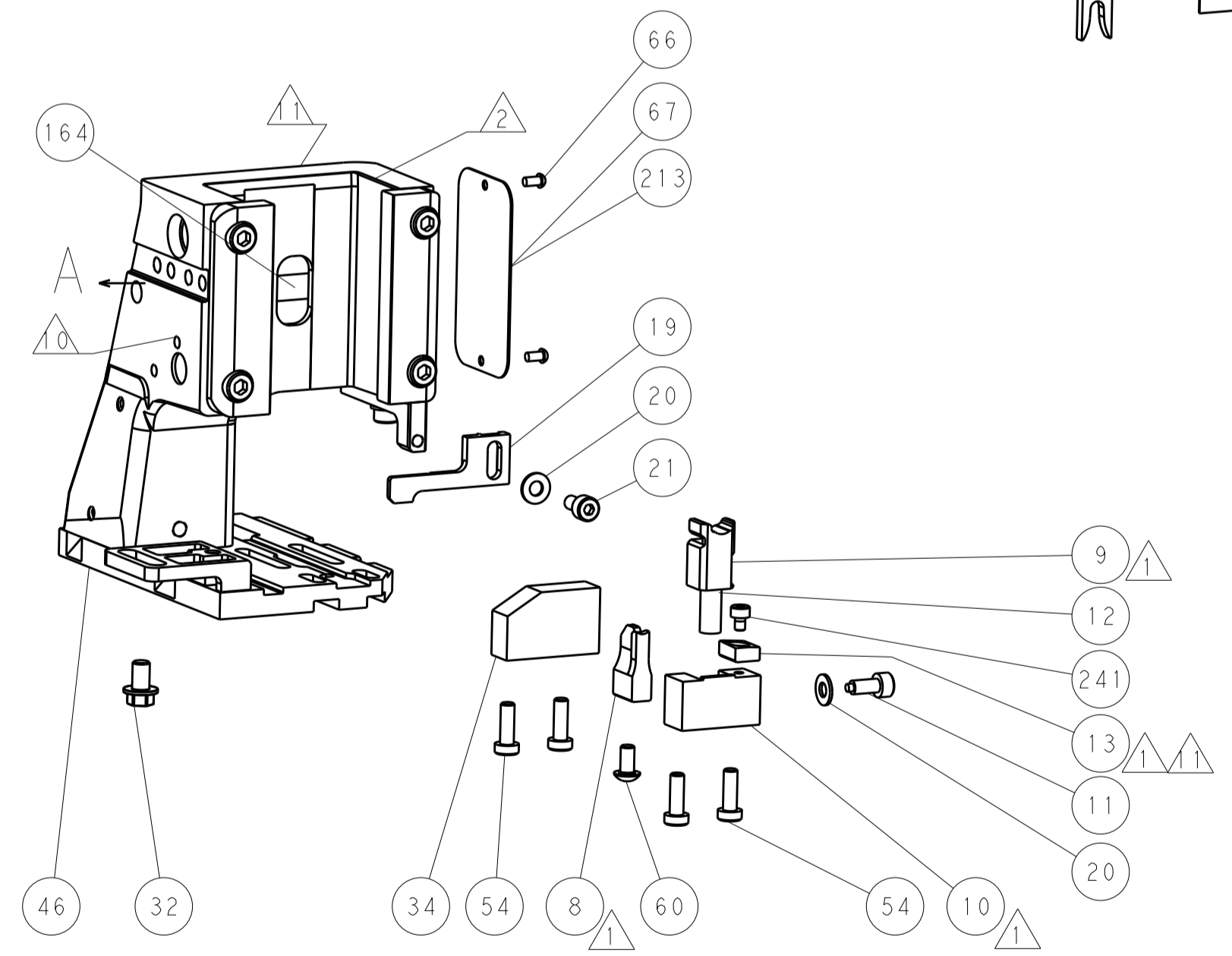
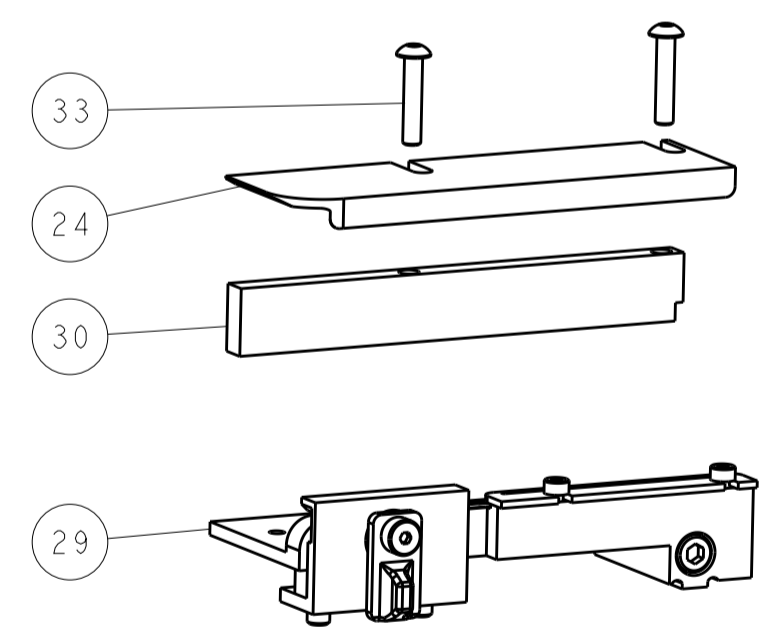
CAM POSITIONS



SHEAR DEPRESSOR DETAIL



TERMINAL SUPPORT LOCATION



FEED TRACK POSITION GUIDE BY INSULATION BARREL

ATLANTIC VERSION
 Shown on sheets 1 of 4 & 2 of 4
 (Pacific version shown on sheets 3 of 4 & 4 of 4)

DIMENSIONS:		TOLERANCES UNLESS OTHERWISE SPECIFIED:		DWG: HOFFNER 18MAR2015		TE Connectivity	
mm	0 PLC	±		CHK: T. ELBIN 19MAR2015	NAME	Harrisburg, PA 17105-3608	
	1 PLC	±		APPV: T. ELBIN 19MAR2015	Ocean Side Feed Applicator		
	2 PLC	±		PRODUCT SPEC	-		
	3 PLC	±		APPLICATION SPEC	-		
	4 PLC	±		SIZE	CAGE CODE	DRAWING NO	RESTRICTED TO
	ANGLES	±		WTGHT	A11 00779	©=2266728	-
MATERIAL	FINISH			Customer Accessible Production Drawing		SCALE	1:2 SHEET 2 OF 4 REV B

