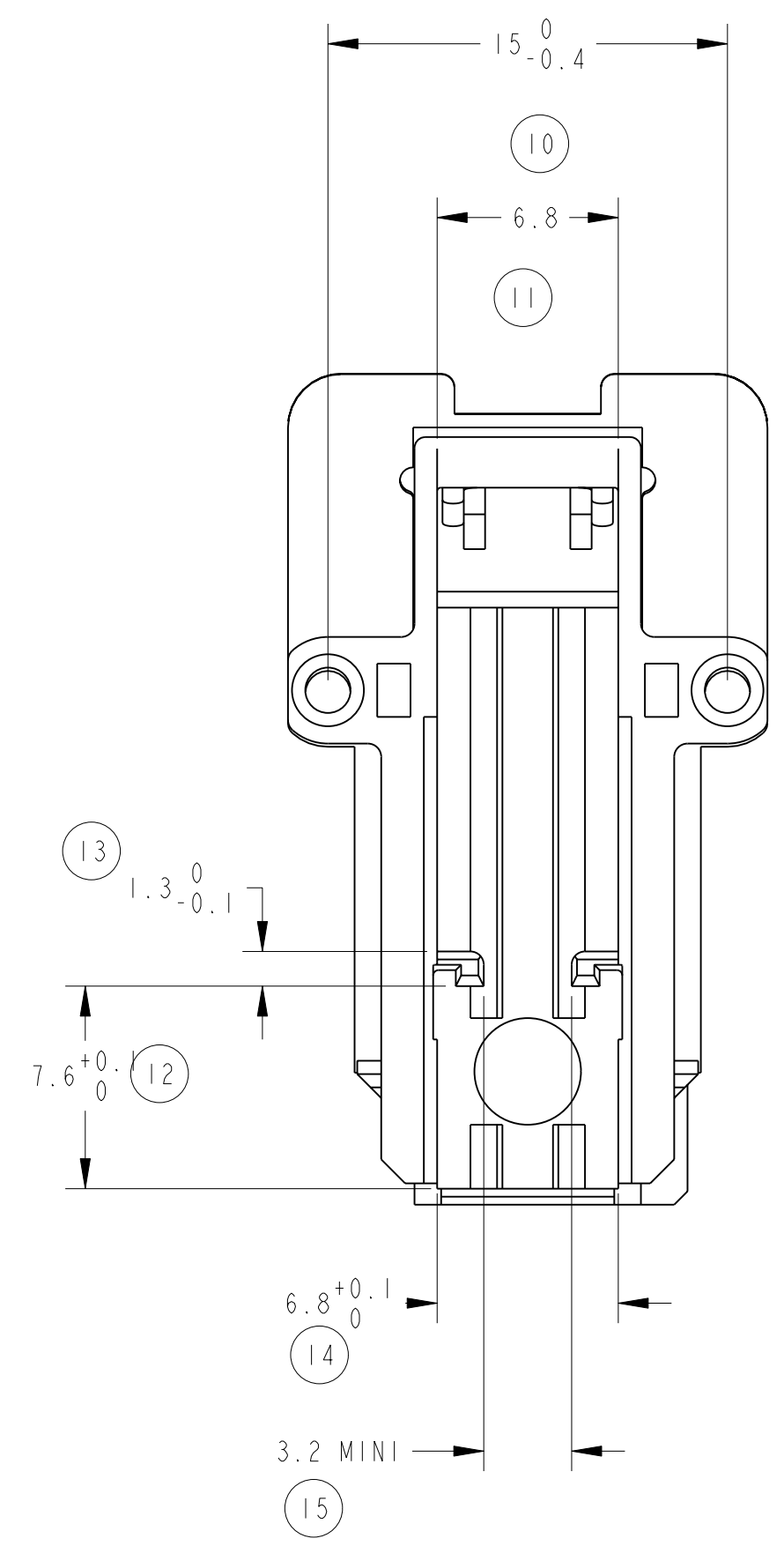
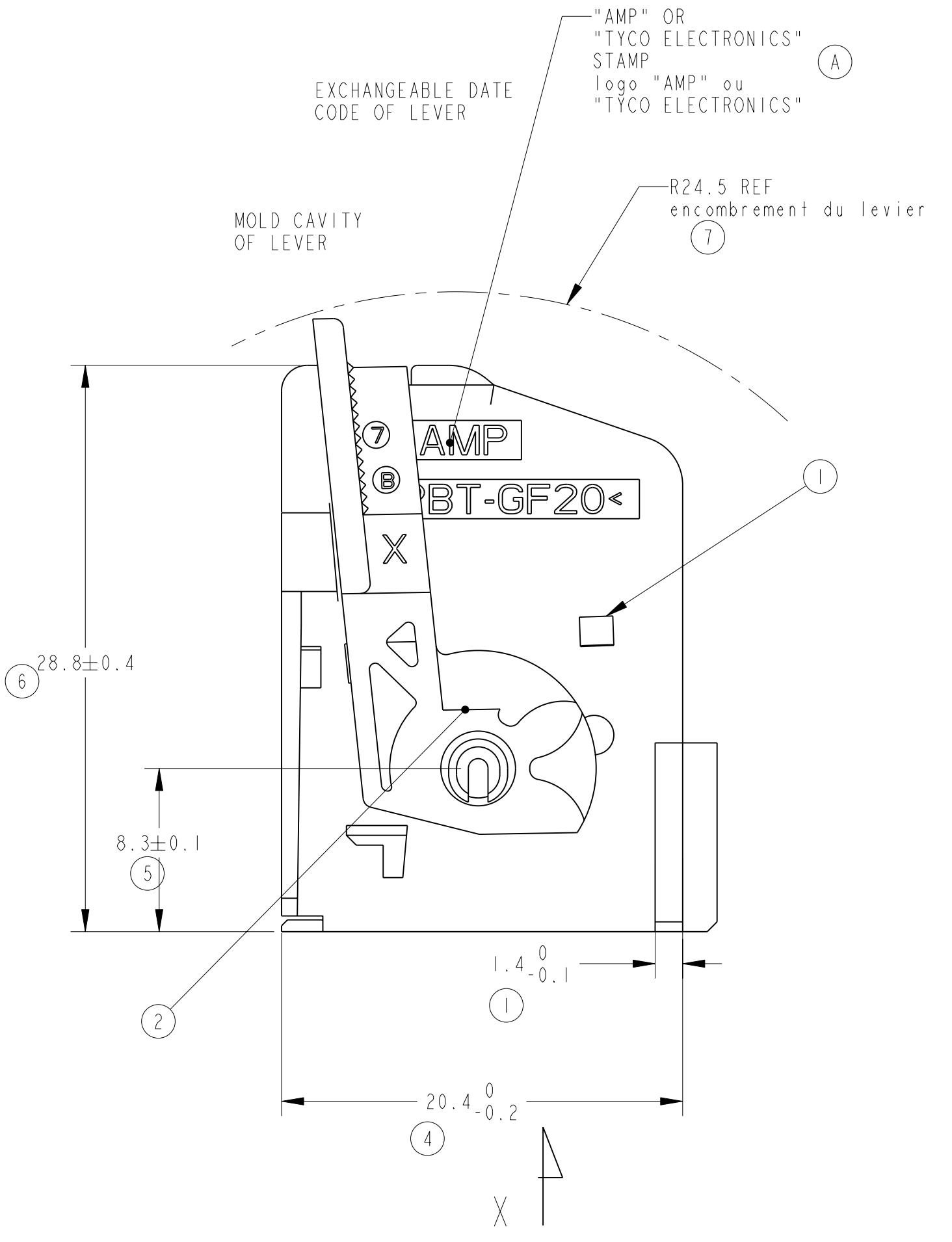
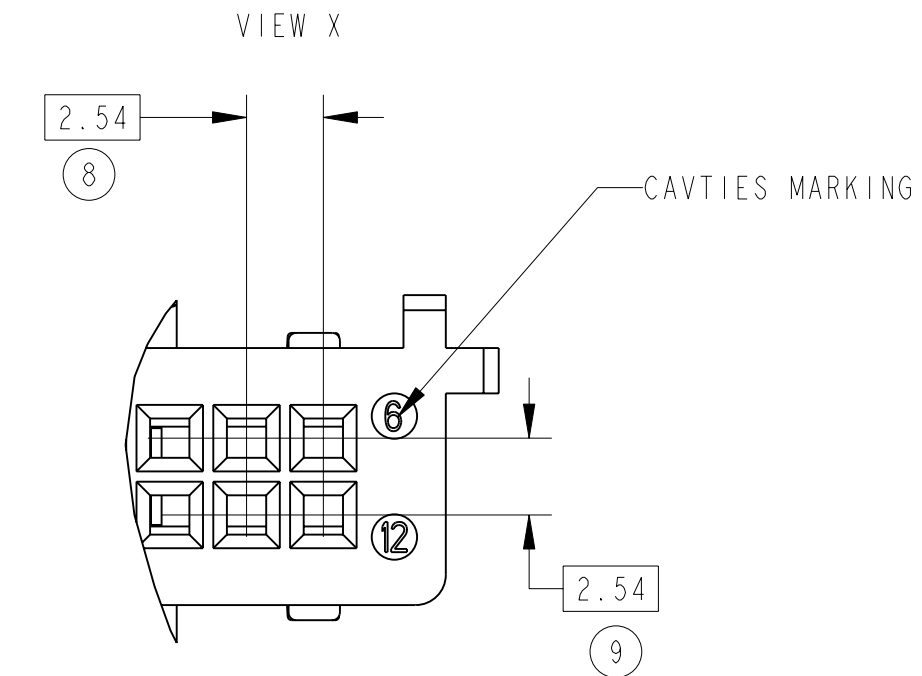
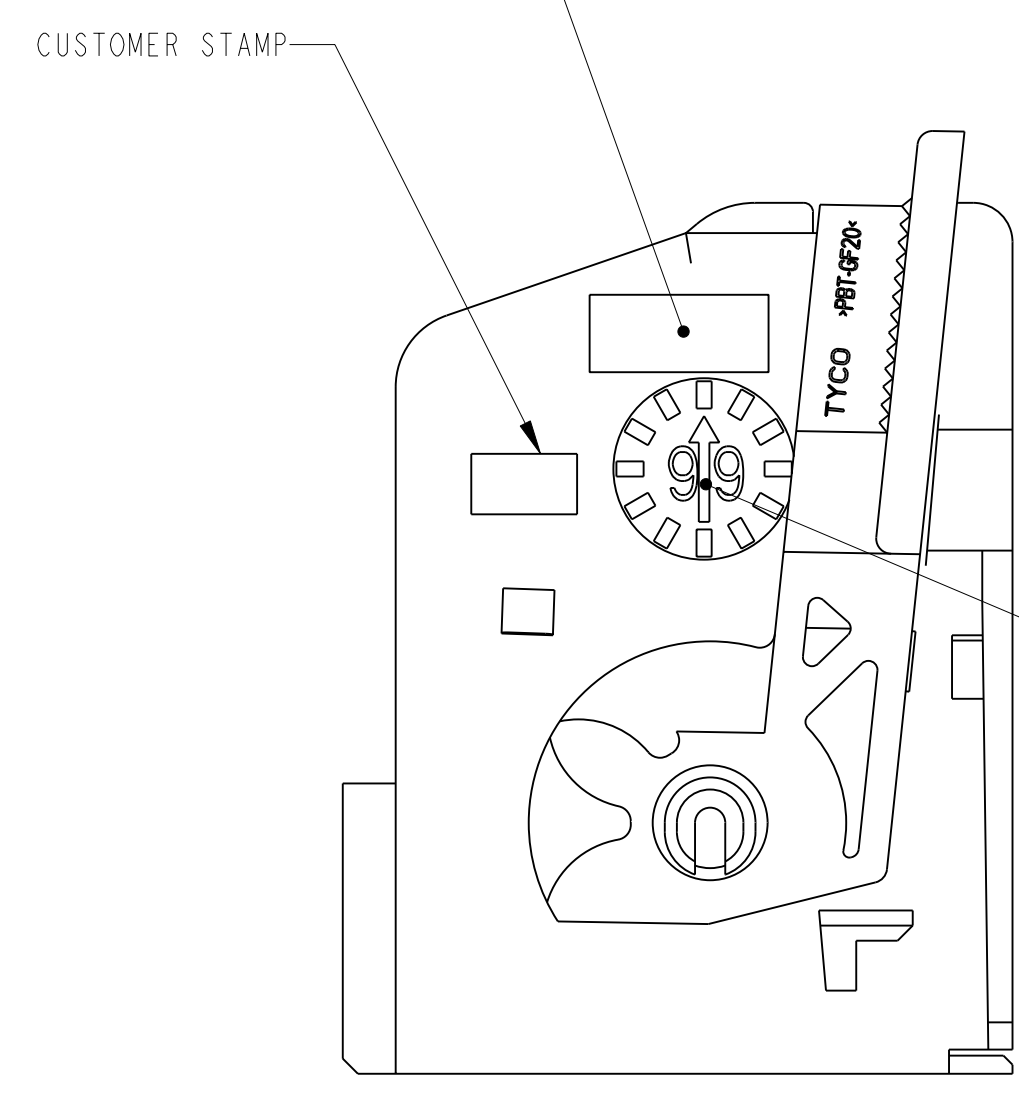


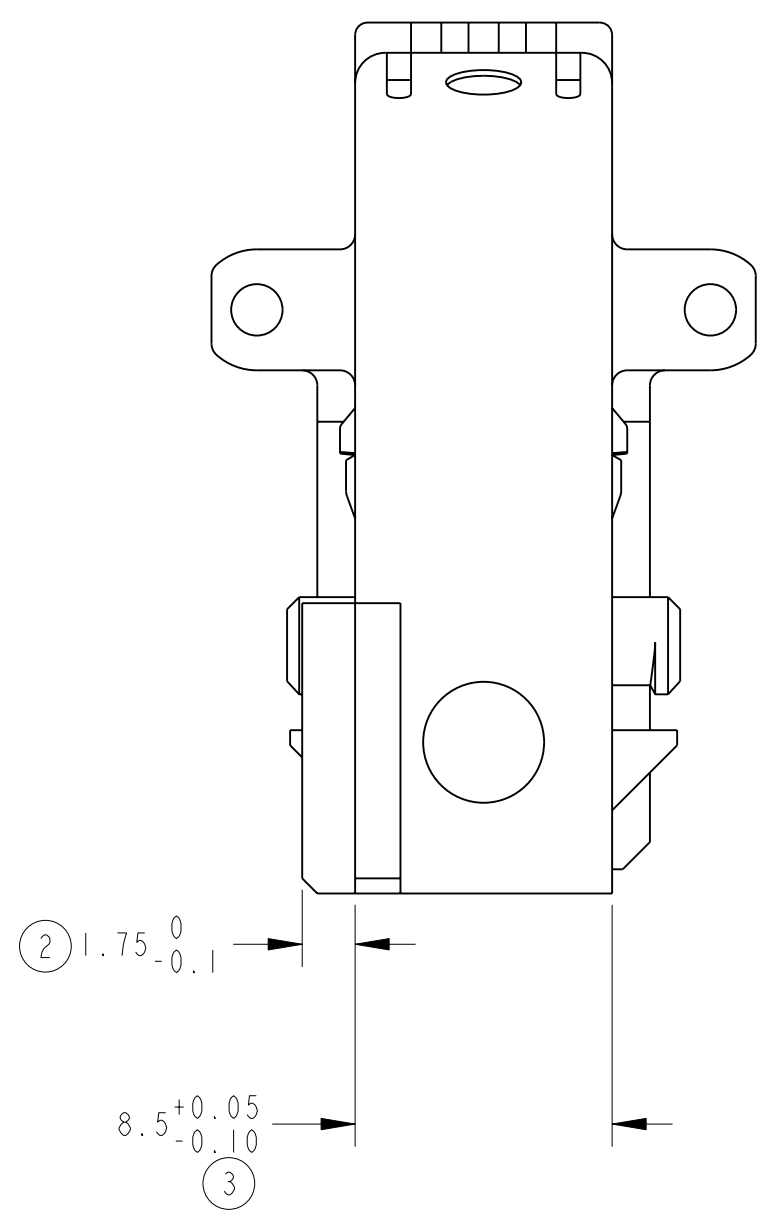
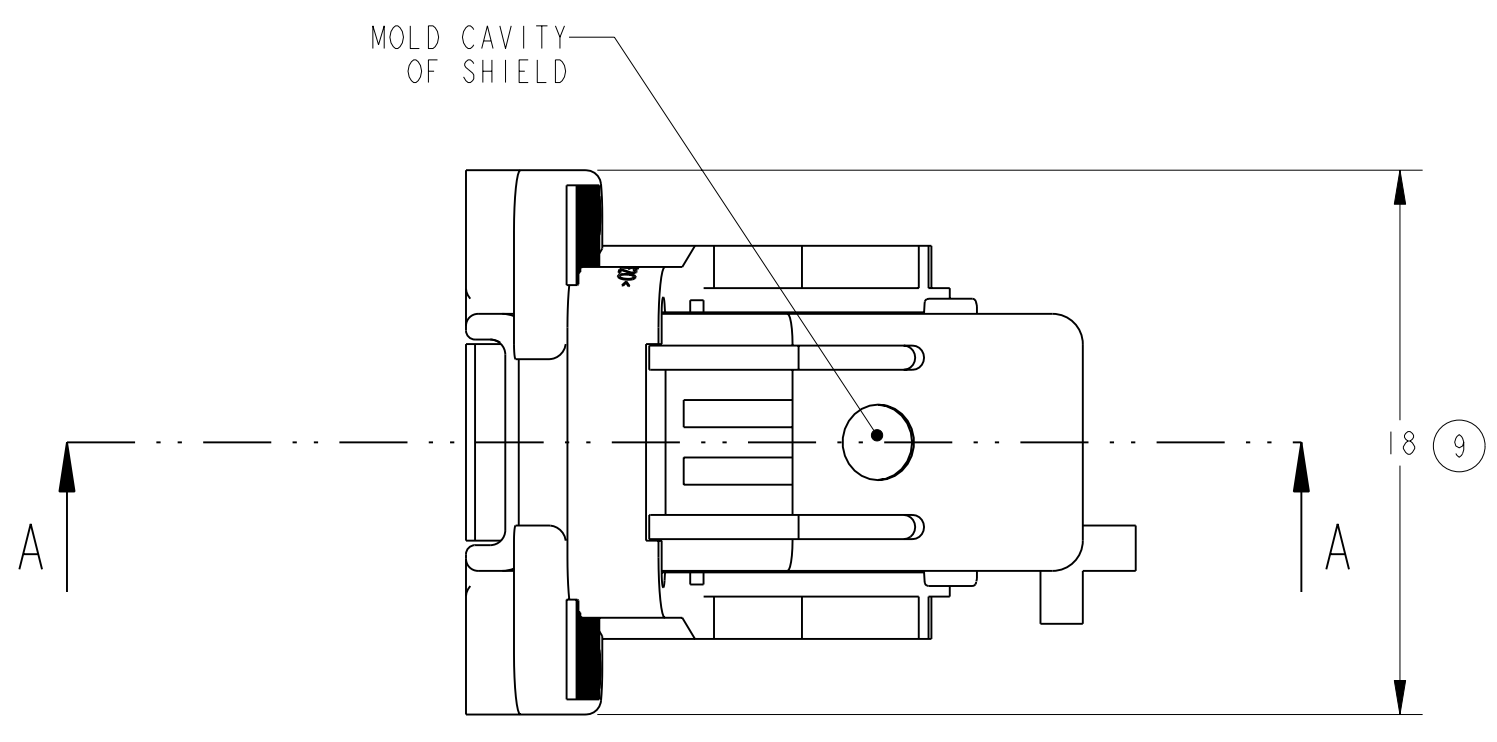
LOC		DIST		REVISIONS			
P	LTB	REV	DESCRIPTION	DATE	DWN	APVD	
	A		ADDED ASSEMBLY DATE CODE	13JUL2007	MP	XR	



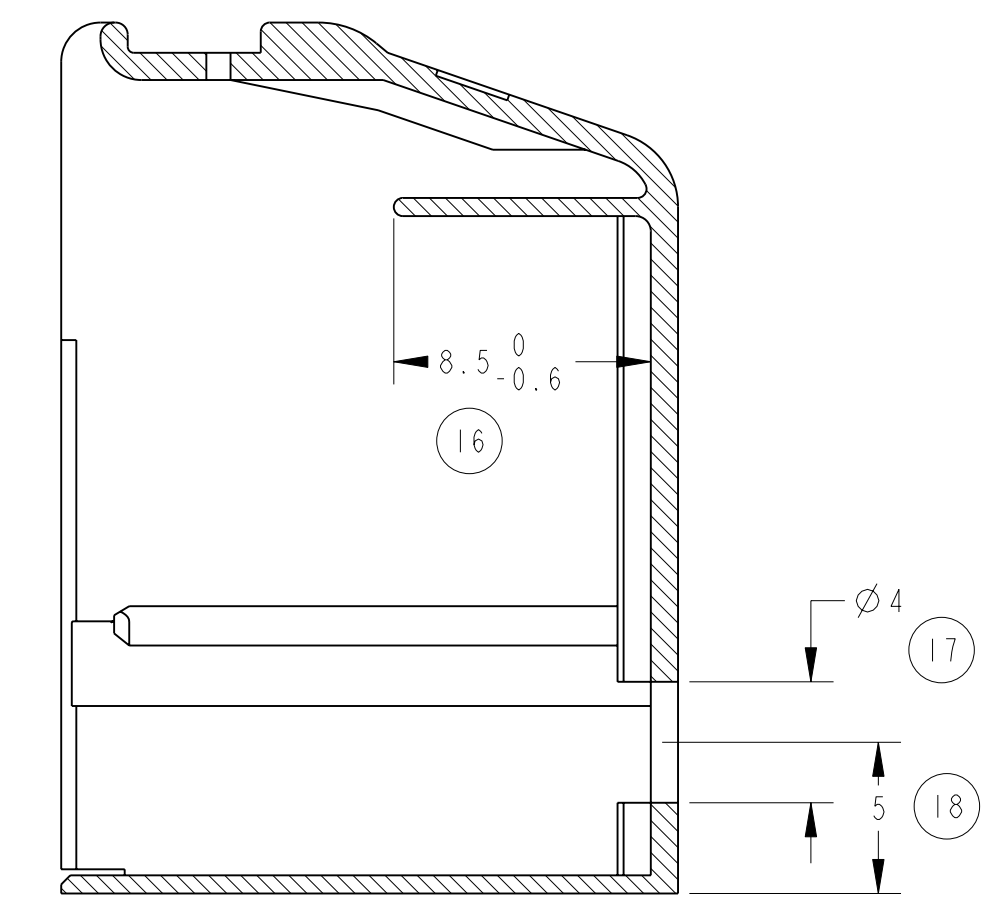
ASSEMBLY DATE CODE OPTIONAL  
 date code de l'assemblage optionnel (A)



SHIELD	1	1	PBT208FV	185341-2	BLUE	
LEVER	2	1	PBT208FV	185341-1	BLACK	
SHIELD	1	1	PBT208FV	185341-1	BROWN	
LEVER	2	1	PBT208FV	185341-1	BLACK	
DESIGNATION	REP.	Q.	MATERIAL	TE PN	COLOR	CODING



COUPE A-A



THIS DRAWING IS CONTROLLED THROUGH THE TYCO ELECTRONICS CORPORATION QUALITY CONTROL SYSTEM AND IS SUBJECT TO THE TYCO ELECTRONICS CORPORATION QUALITY CONTROL SYSTEM. CE PLAN EST UN DOCUMENT CONTROLÉ PAR AMP INCORPORATED. IL EST SOUSCOTÉ PAR LE SYSTÈME DE CONTRÔLE DE QUALITÉ DE TYCO ELECTRONICS CORPORATION.		DWN/DESSINE: 04APR2005 M. POLLEONTE CHK/VERIFIE: 04APR2005 A. AUDLE		TYCO ELECTRONICS France SAS BP 30039, 95301 CERGY-PONTOISE Cedex	
DIMENSIONS: (mm) TOLERANCES, UNLESS OTHERWISE SPECIFIED (SUIVY NB DE DECIMALES): 0 PLC/DEC: ±0.2 1 PLC/DEC: ±0.2 2 PLC/DEC: ±0.2 3 PLC/DEC: ±0.2 4 PLC/DEC: ±0.2 ANGLES: ±5°		APVD/APPROVE: 04APR2005 Y. SOUILLARD		NAME: COVER + LEVER ASSY FOR MQS 12 POS 0 DEG	
MATERIAL: SEE TABLE FINISH:		WEIGHT: APPROX. 0.15g CUSTOMER DRAWING / PLAN CLIENT		SIZE: A1 CAGE CODE: 185341 DRAWING NO: 185341 UNIFORMITY: 4:1 SCALE: 4:1 SHEET: 1 OF 1 REV: A	