

Pin Number	Signal Name	Description
1	VBUS	Power
2	D-	USB2.0 differential pair
3	D+	
4	GND	Ground for power return
5	StdA_SSRX-	SuperSpeed receiver differential pair
6	StdA_SSRX+	
7	GND_DRAIN	Ground for signal return
8	StdA_SSTX-	SuperSpeed transmitter differential pair
9	StdA_SSTX+	
Shell	Shield	Connector metal shell

USB3.0 Standard-A Connector
Pin Assignments

NOTES:

1.MATERIAL:

HOUSING: THERMOPLASTIC, GLASS FIBER FILLED, HALOGEN FREE, UL94-HB, COLOR: BLUE.
COVER: THERMOPLASTIC, GLASS FIBER FILLED, HALOGEN FREE, UL94-HB, COLOR: BLUE.
USB2.0 CONTACT: COPPER ALLOY.
USB3.0 CONTACT: COPPER ALLOY.
SHELL: STAINLESS STEEL.

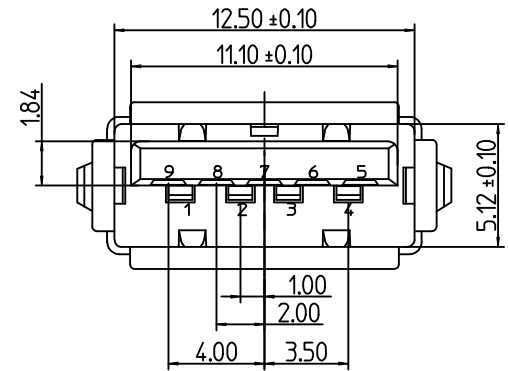
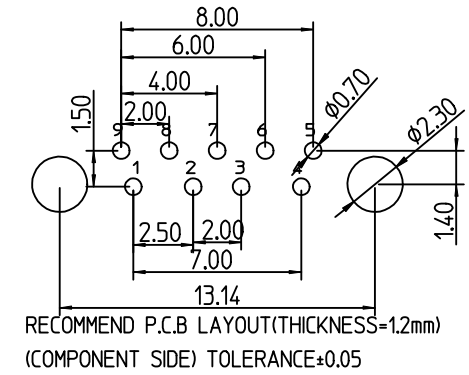
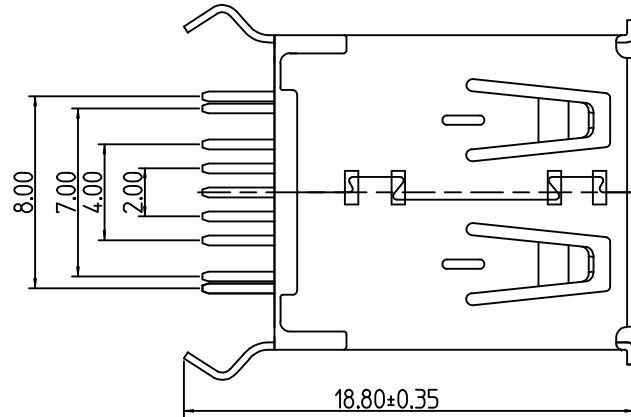
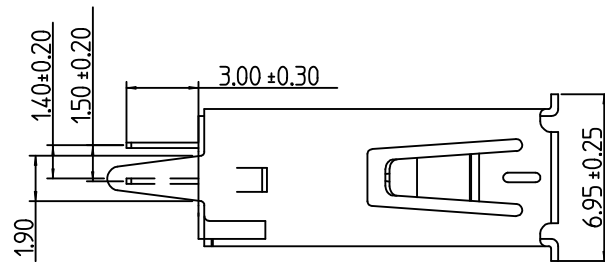
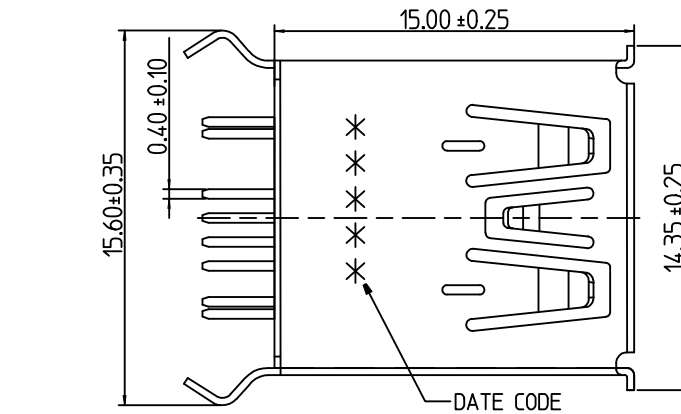
2.FINISH:

CONTACT:
SELECTIVE GOLD(Au) IN CONTACT AREA(SEE TABLE)
SELECTIVE MATTE TIN(Sn) ALLOY IN SOLDER TAIL

AREA THICKNESS=120 MICROINCH MINIMUM.
NICKEL(Ni) OVERALL THICKNESS=80 MICROINCH MINIMUM.
SHELL:NICKEL(Ni) OVERALL THICKNESS=30 MICROINCH MINIMUM.

- PRODUCT SPECIFICATION REFERS TO PS-48408-001
- PACKAGE SPECIFICATION REFERS TO PK-48408-001
- TEST SUMMARY REFERS TO TS-48408-001
- LEAD FREE AND RoHS COMPLIANT PRODUCT.
- DATE CODE: X X X X X

YEAR WEEK DAY



TABLE

PLATING	P/N
30u" Au	48408-0001
2u" Au & 30u" Pd-Ni	48408-0002
15u" Au	48408-0003
GOLD FLASH(3u" Au MIN.)	48408-0004

RELEASE EC NO: DRWN: FYANG05 2013/10/20 CHKD: APPR:	QUALITY SYMBOLS $\nabla/\square=0$ $\nabla/\square=0$ $\nabla/\square=0$	GENERAL TOLERANCES (UNLESS SPECIFIED) <table border="1"> <thead> <tr> <th></th> <th>mm</th> <th>INCH</th> </tr> </thead> <tbody> <tr> <td>4 PLACES ±</td> <td>±</td> <td>±</td> </tr> <tr> <td>3 PLACES ±</td> <td>±</td> <td>±</td> </tr> <tr> <td>2 PLACES ±</td> <td>± 0.20</td> <td>±</td> </tr> <tr> <td>1 PLACE ±</td> <td>± 0.25</td> <td>±</td> </tr> <tr> <td></td> <td>ANGULAR ±</td> <td>°</td> </tr> </tbody> </table>		mm	INCH	4 PLACES ±	±	±	3 PLACES ±	±	±	2 PLACES ±	± 0.20	±	1 PLACE ±	± 0.25	±		ANGULAR ±	°	DIMENSION STYLE DRAWN BY: RUBY DATE: 2013.9.22 CHECKED BY: FYANG DATE: 2013.9.22 APPROVED BY: RZHANG DATE: 2013.9.22	SCALE: 1:1 DESIGN UNITS:	THIRD ANGLE PROJECTION
		mm	INCH																				
	4 PLACES ±	±	±																				
	3 PLACES ±	±	±																				
2 PLACES ±	± 0.20	±																					
1 PLACE ±	± 0.25	±																					
	ANGULAR ±	°																					
DRAFT WHERE APPLICABLE MUST REMAIN WITHIN DIMENSIONS	MATERIAL NO.	TITLE: USB 3.0 CONNECTOR A RECEPTACLE 180°VERTICAL	MOLEX INCORPORATED	DOCUMENT NO. SD-48408-001	SHEET NO. 1 OF 1																		
SIZE: A3	THIS DRAWING CONTAINS INFORMATION THAT IS PROPRIETARY TO MOLEX INCORPORATED AND SHOULD NOT BE USED WITHOUT WRITTEN PERMISSION																						