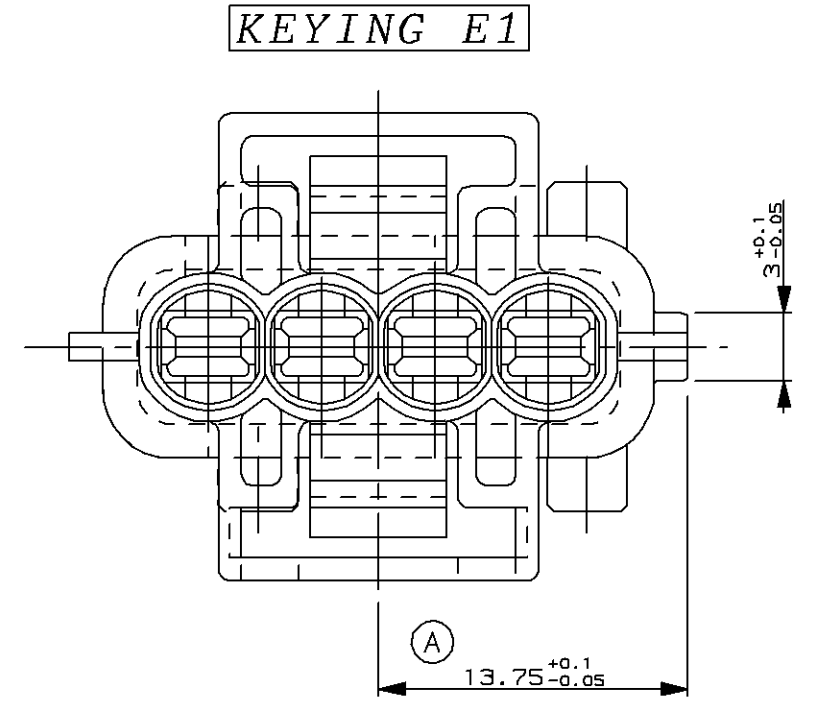
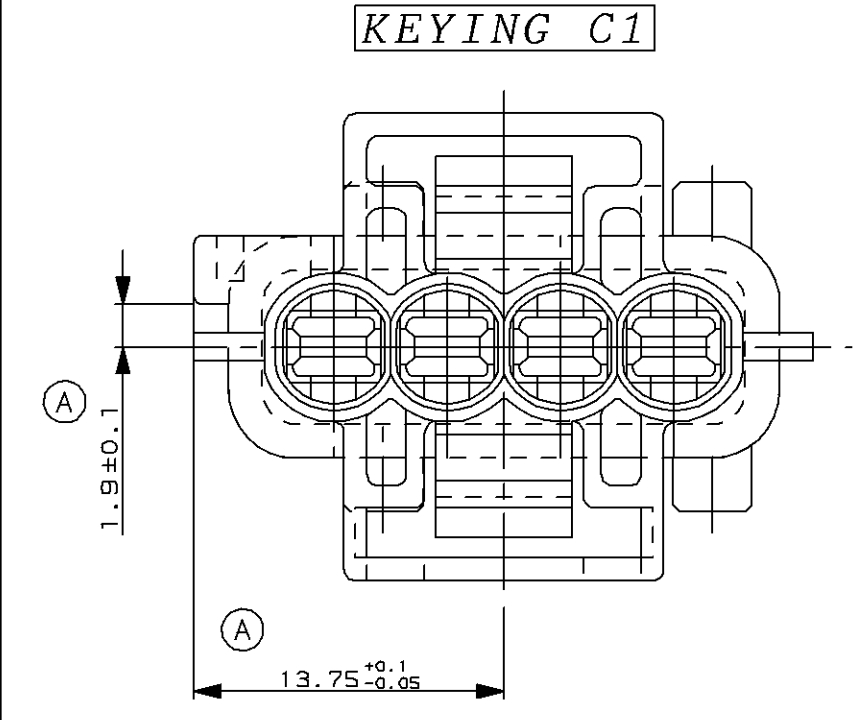
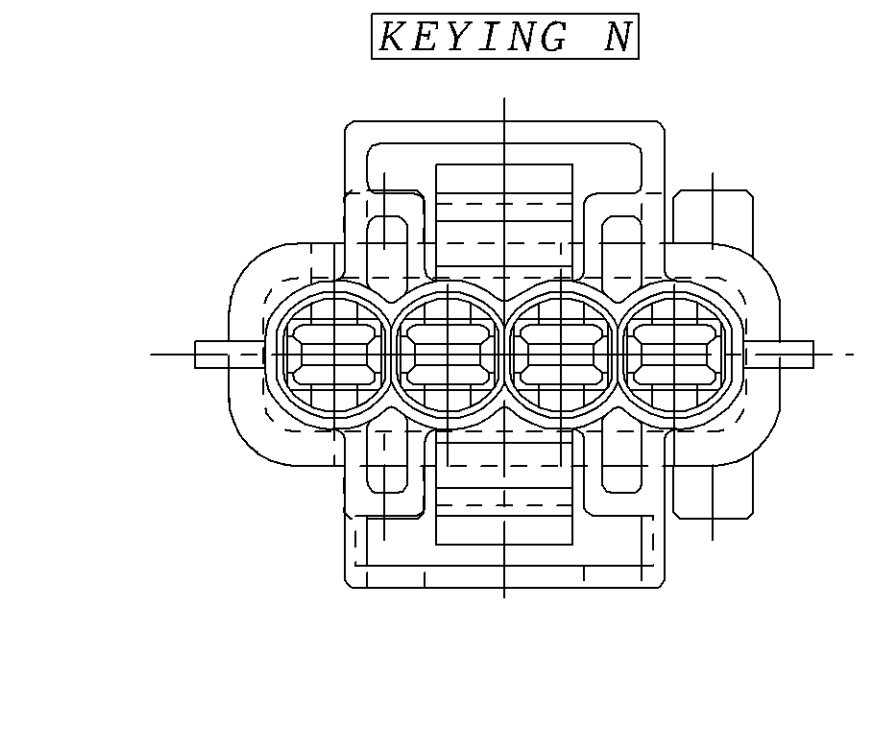
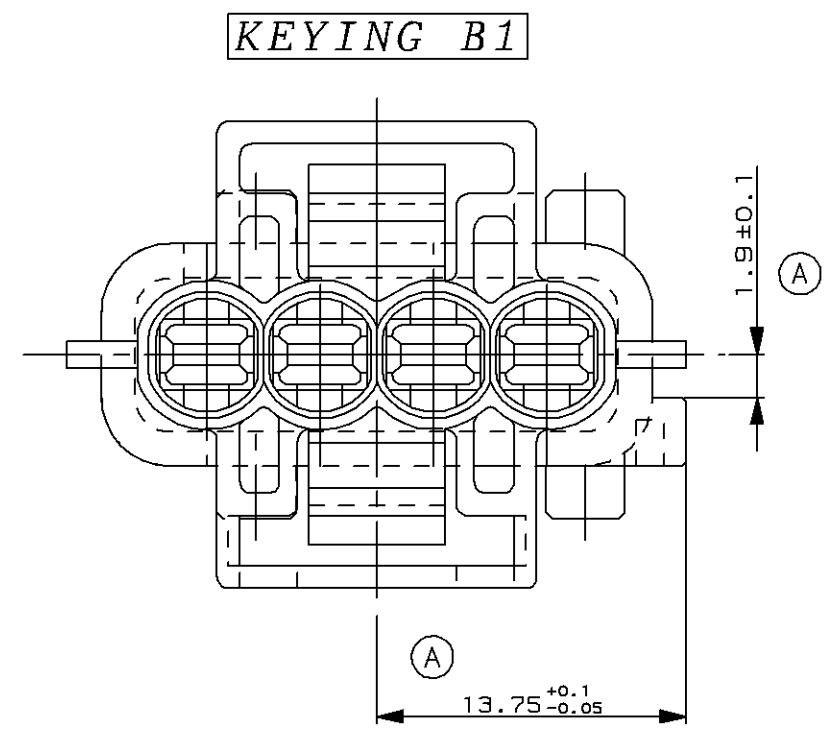
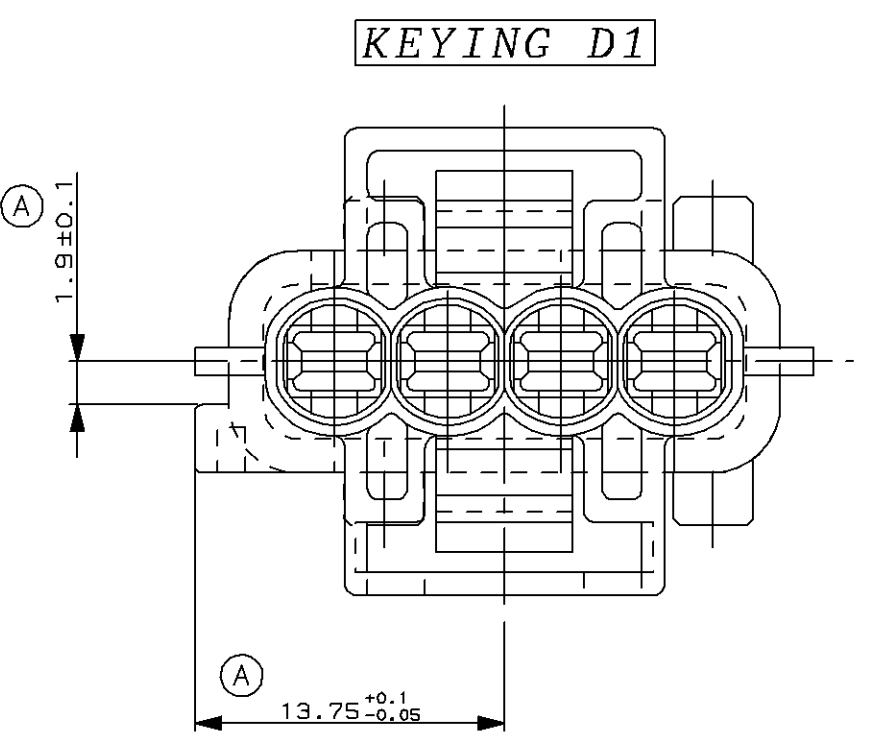
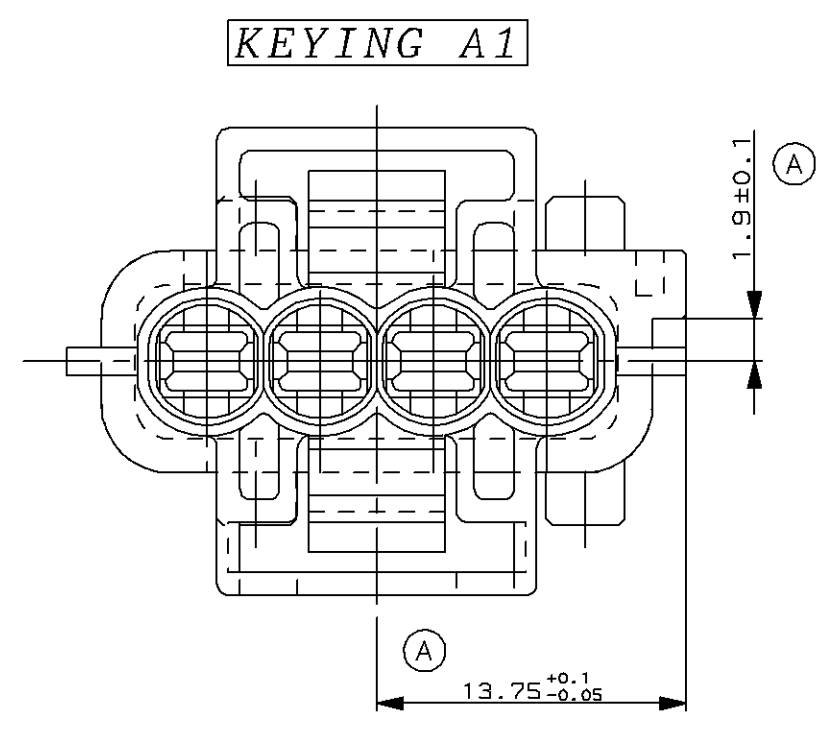
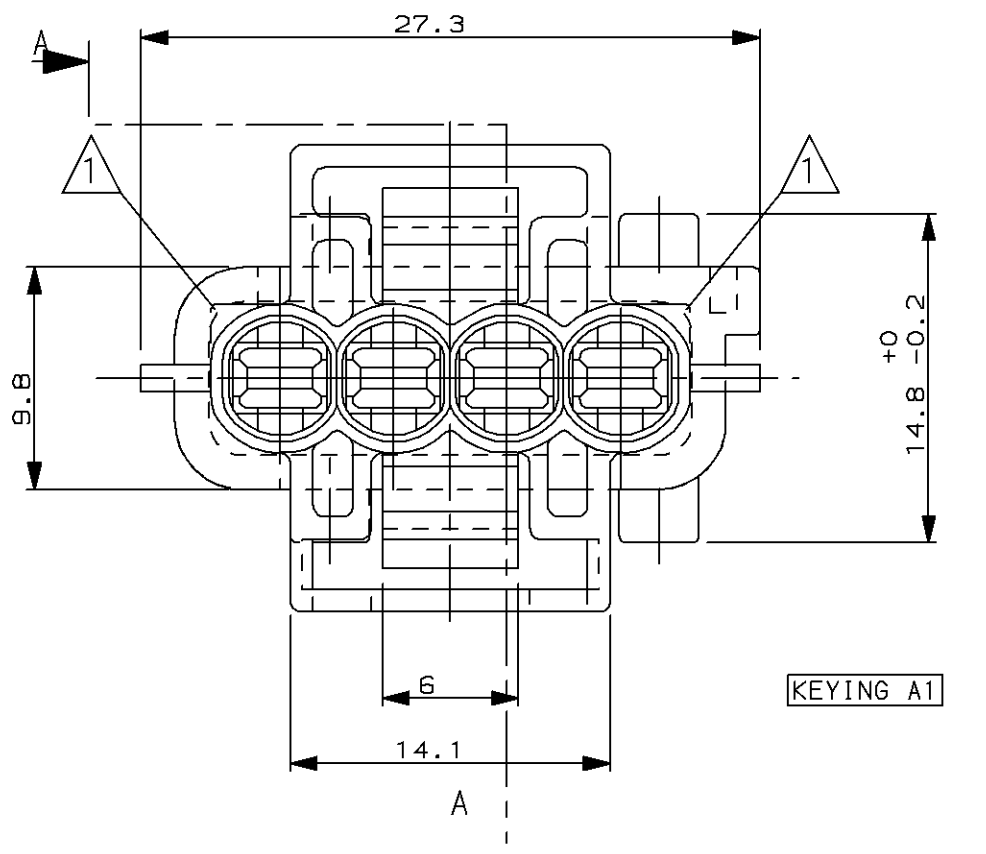
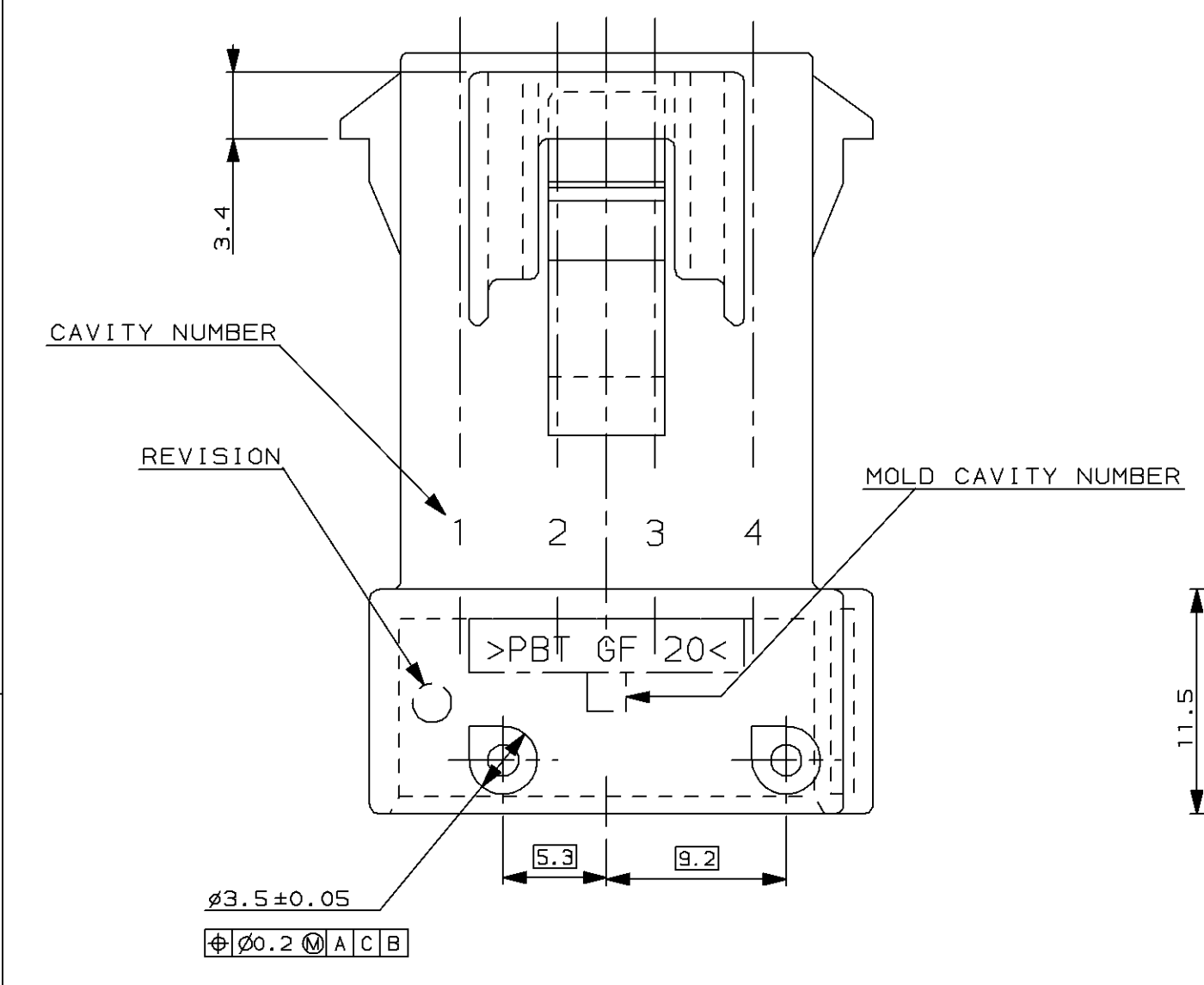
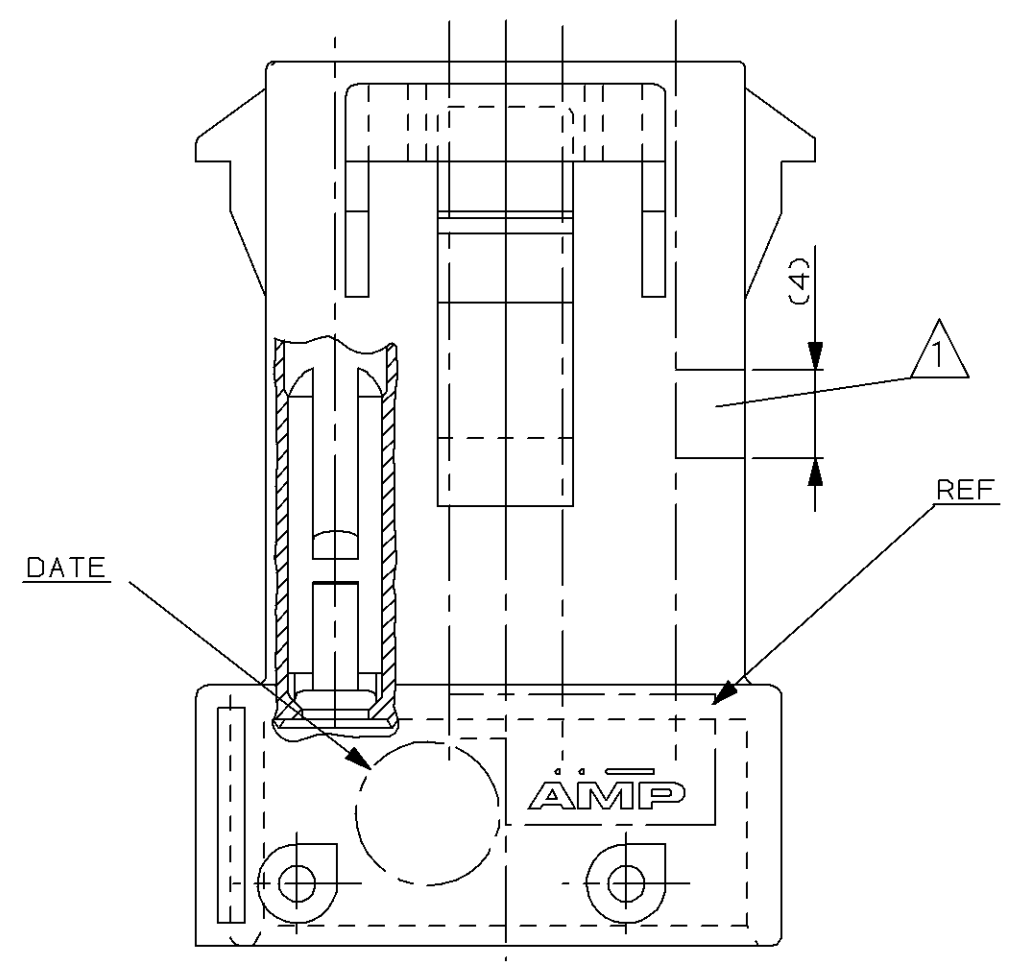
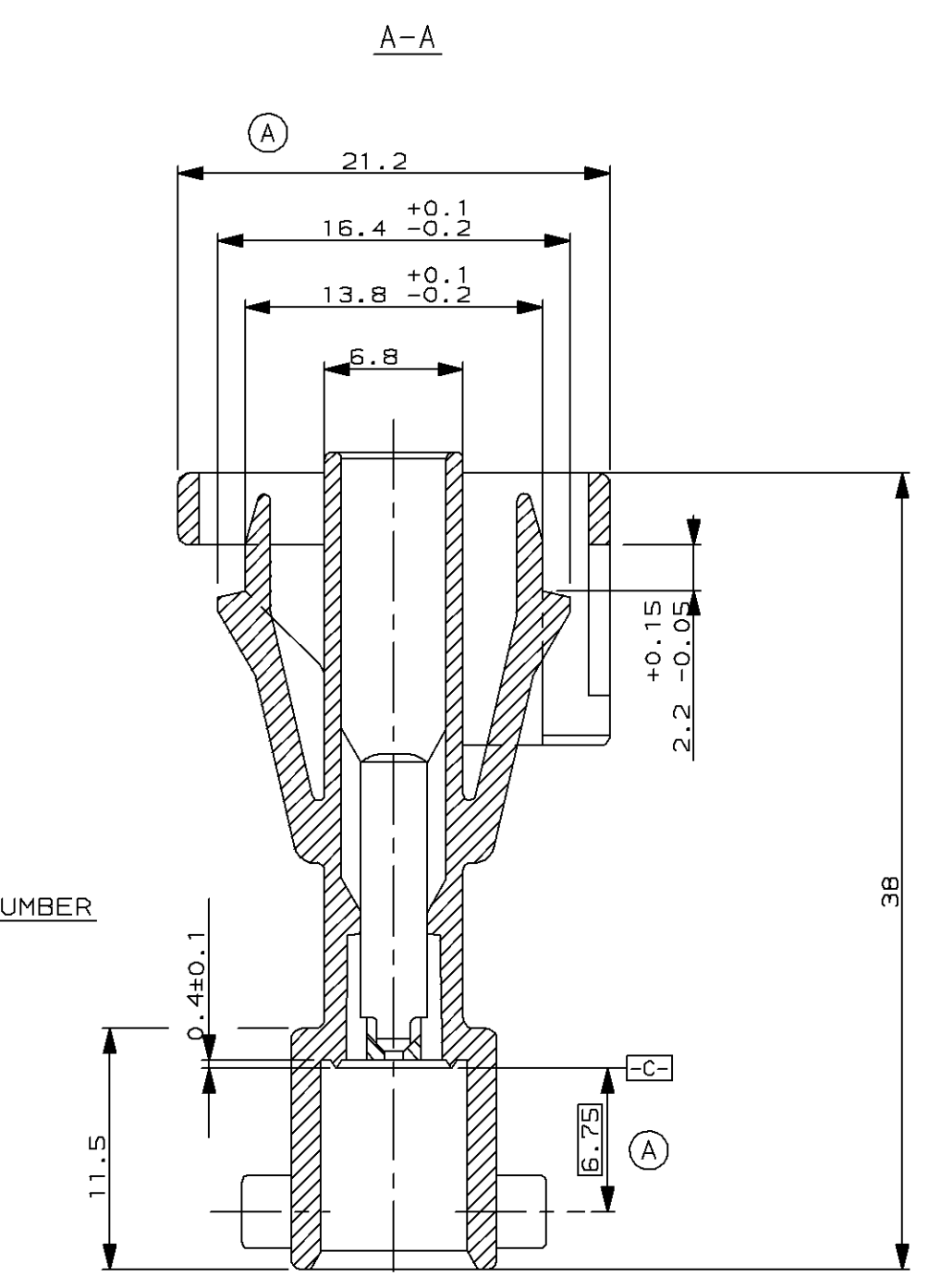
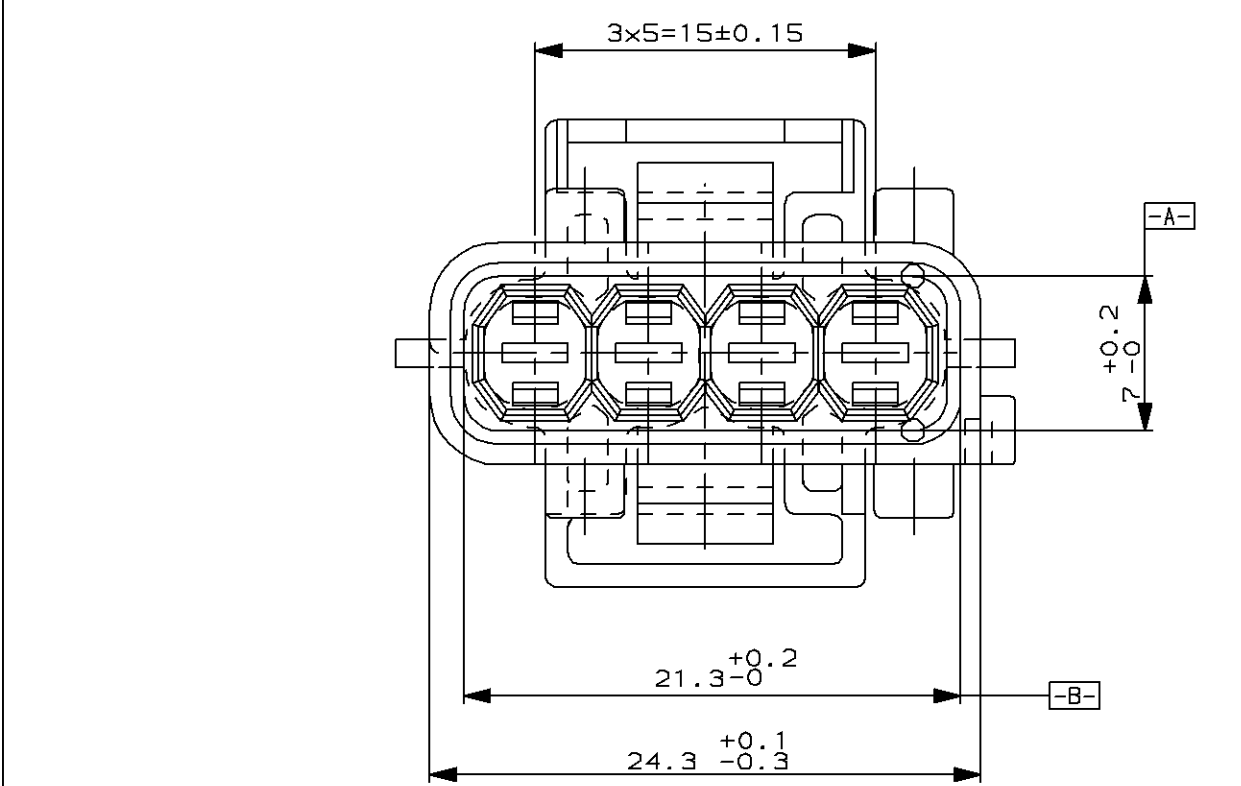


LOC	DIST	REVISIONS			
F	7	REV	DESCRIPTION	DATE	APP. / DES.
		A	KEYING DIMENSION	19-DEC-94	JLQ -
		B	ADDED NOTE	DEC-96	JL -
		C	ENGLISH TRANSLATION	18-MAR-98	- -

NOTES

△ - DEPENDING ON THE MOLD CAVITY NUMBER, THIS SHAPE COULD BE IN ONE OF THE 2 POSITIONS.
 - CETTE FORME PEUT SE TROUVER DANS UNE DES 2 POSITIONS SELON LE No D'EMPREINTE



KEYING	QTY	DESCRIPTION	MATERIAL	COLOR
185001-6 KEYING E1	1	SEALED TAB HOUSING 4 POS. J.P.T.	PBT 20% GF	GREEN
185001-5 KEYING N	1	SEALED TAB HOUSING 4 POS. J.P.T.	PBT 20% GF	WHITE
185001-4 KEYING D1	1	SEALED TAB HOUSING 4 POS. J.P.T.	PBT 20% GF	BROWN
185001-3 KEYING C1	1	SEALED TAB HOUSING 4 POS. J.P.T.	PBT 20% GF	BLUE
185001-2 KEYING B1	1	SEALED TAB HOUSING 4 POS. J.P.T.	PBT 20% GF	GREY
185001-1 KEYING A1	1	SEALED TAB HOUSING 4 POS. J.P.T.	PBT 20% GF	BLACK
REFERENCE AMP	Qty	DESCRIPTION	MATERIAL	COLOR

DIMENSIONS: TOLERANCES UNLESS OTHERWISE SPECIFIED (OTHERS SPECIFIEES): mm FRACTIONS DECIMALS ANGLES FINISH	TOLERANCES UNLESS OTHERWISE SPECIFIED (OTHERS SPECIFIEES): mm FRACTIONS DECIMALS ANGLES FINISH	DWG/DESIGNEE T. CORRIOLU 26-JUL-94	AMP DE FRANCE 95301 PONTOISE
		CHK/VERIFIE J.-J. LALANGE 08-APR-98	NAME J.-J. REVILL 08-APR-98
		PRODUCT SPEC 108-15103 APPLICATION SPEC	SITE A1 00779 CAGE CODE 185001
MATERIAL SEE TABLE	WEIGHT APPROX. 4.8g	CUSTOMER DRAWING/PLAN CLIENT POUR REFERENCE	SHEET 1 DE 1