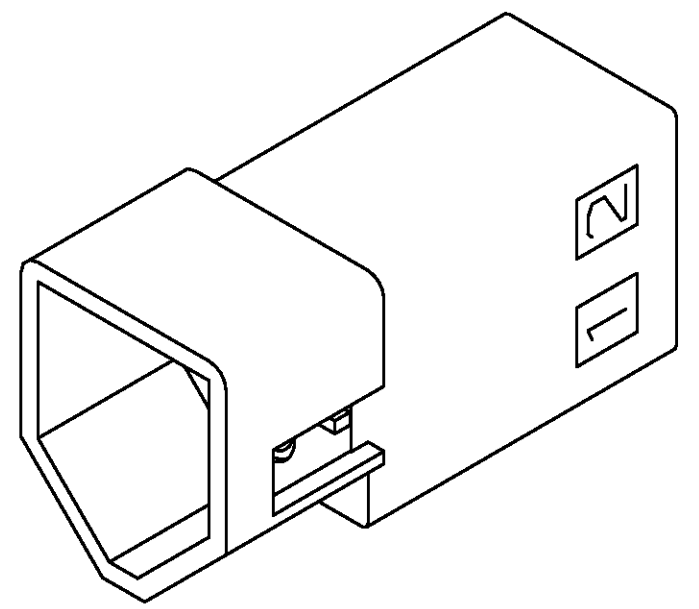
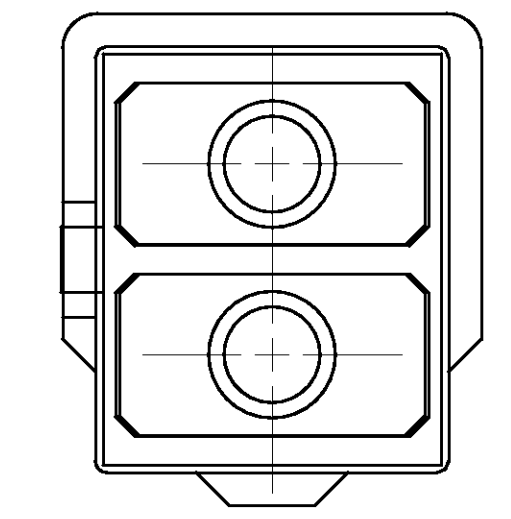
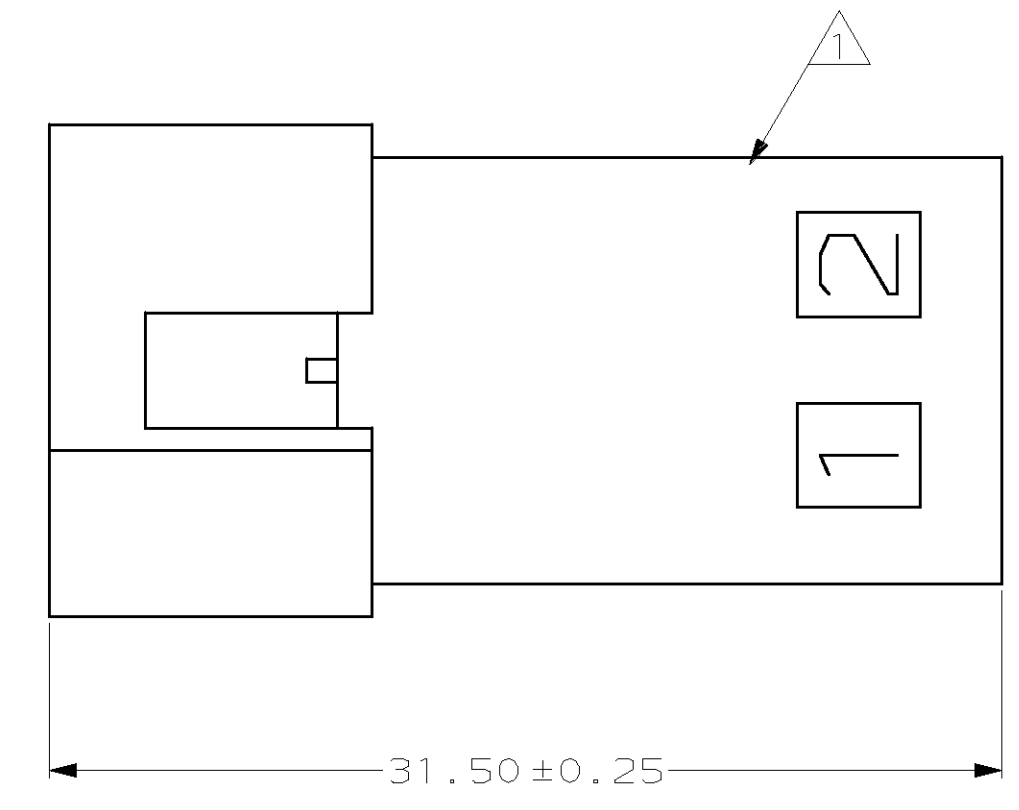
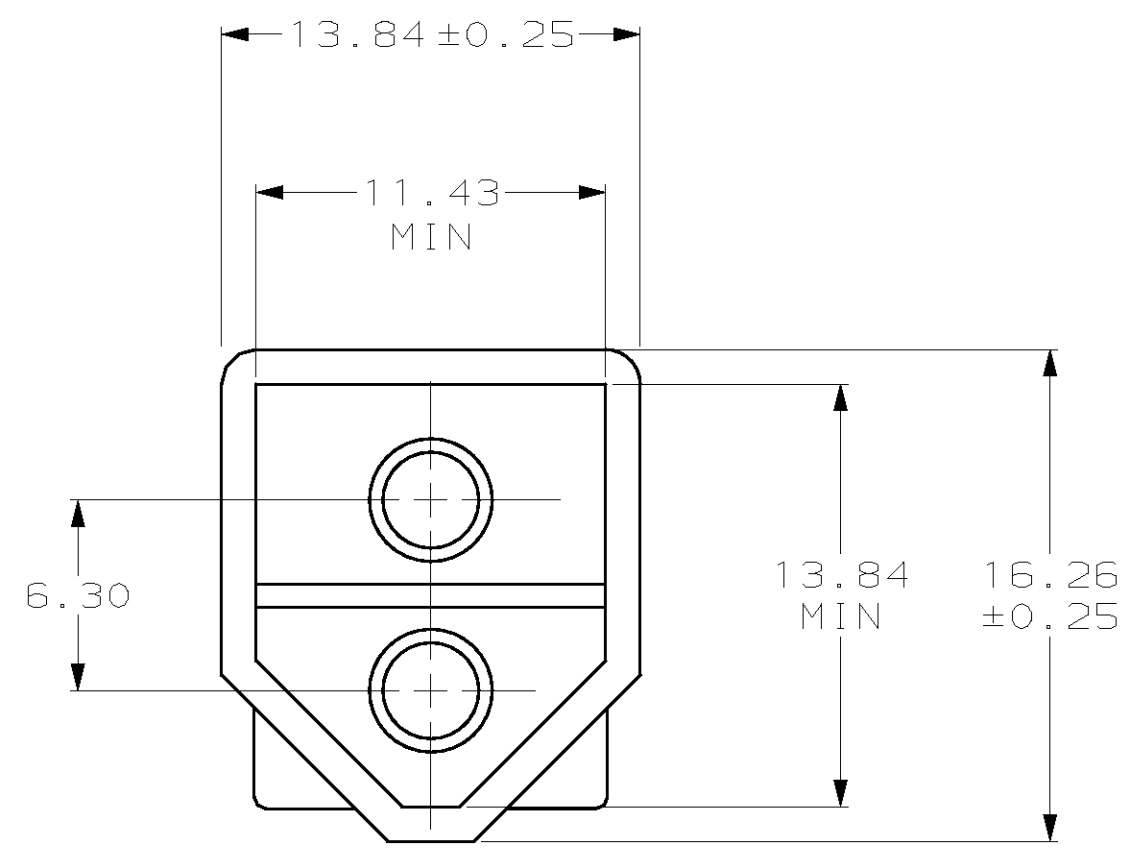


△ AMP LOGO LOCATED THIS SURFACE.  
 2. PARTS ARE DUAL WIRE COMPATIBLE.



3-DIMENSIONAL MODEL  
 NTS

31.50	1.240
16.26	.640
13.84	.545
11.43	.450
6.30	.248
2.36	.093
0.25	.010
0.13	.005
MM	IN

CONVERSION TABLE

770365-1  
 PART NUMBER

**METRIC**

THIS DRAWING IS A CONTROLLED DOCUMENT.		DWN	K. WHITAKER	2-25-98																	
		CHK	R. SWING	2-25-98																	
		APVD	K. CORLE	2-25-98																	
		PRODUCT SPEC																			
		APPLICATION SPEC																			
		HEIGHT																			
		CUSTOMER DRAWING																			
MATERIAL: NYLON, JL 94V-2, NATURAL		FINISH																			
DIMENSIONS: mm		TOLERANCES UNLESS OTHERWISE SPECIFIED:																			
<table border="1"> <tr> <td>Ø</td> <td>PLC</td> <td>±</td> </tr> <tr> <td></td> <td>PLC</td> <td>±</td> </tr> <tr> <td></td> <td>PLC</td> <td>±0.13</td> </tr> <tr> <td></td> <td>PLC</td> <td>±</td> </tr> <tr> <td></td> <td>PLC</td> <td>±</td> </tr> <tr> <td></td> <td>ANGLES</td> <td>±</td> </tr> </table>		Ø	PLC	±		PLC	±		PLC	±0.13		PLC	±		PLC	±		ANGLES	±		
Ø	PLC	±																			
	PLC	±																			
	PLC	±0.13																			
	PLC	±																			
	PLC	±																			
	ANGLES	±																			
SIZE: A1		SCALE: 4:1	SHEET 1 OF 1																		
DRAWING NO: 00779		PART NO: 770365		RESTRICTED TO: -																	
AMP Incorporated Harrisburg, PA 17105-3608		PLUG, 2 CIRCUIT, .093 PIN AND SOCKET																			