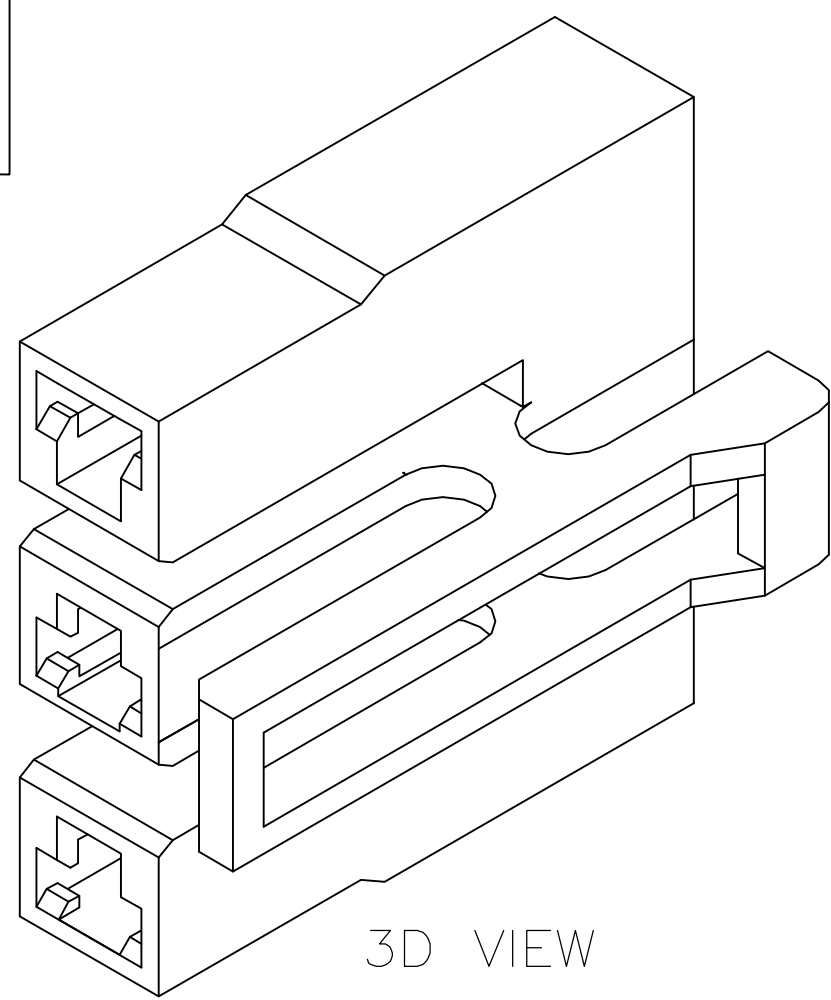
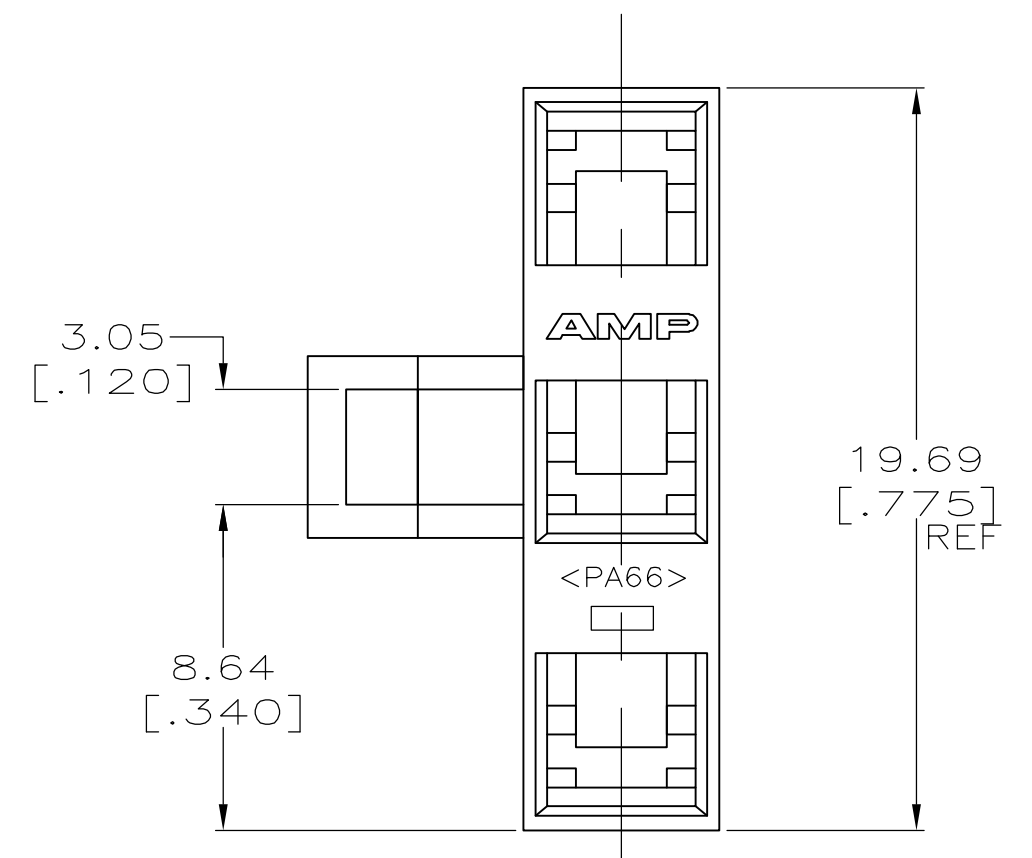
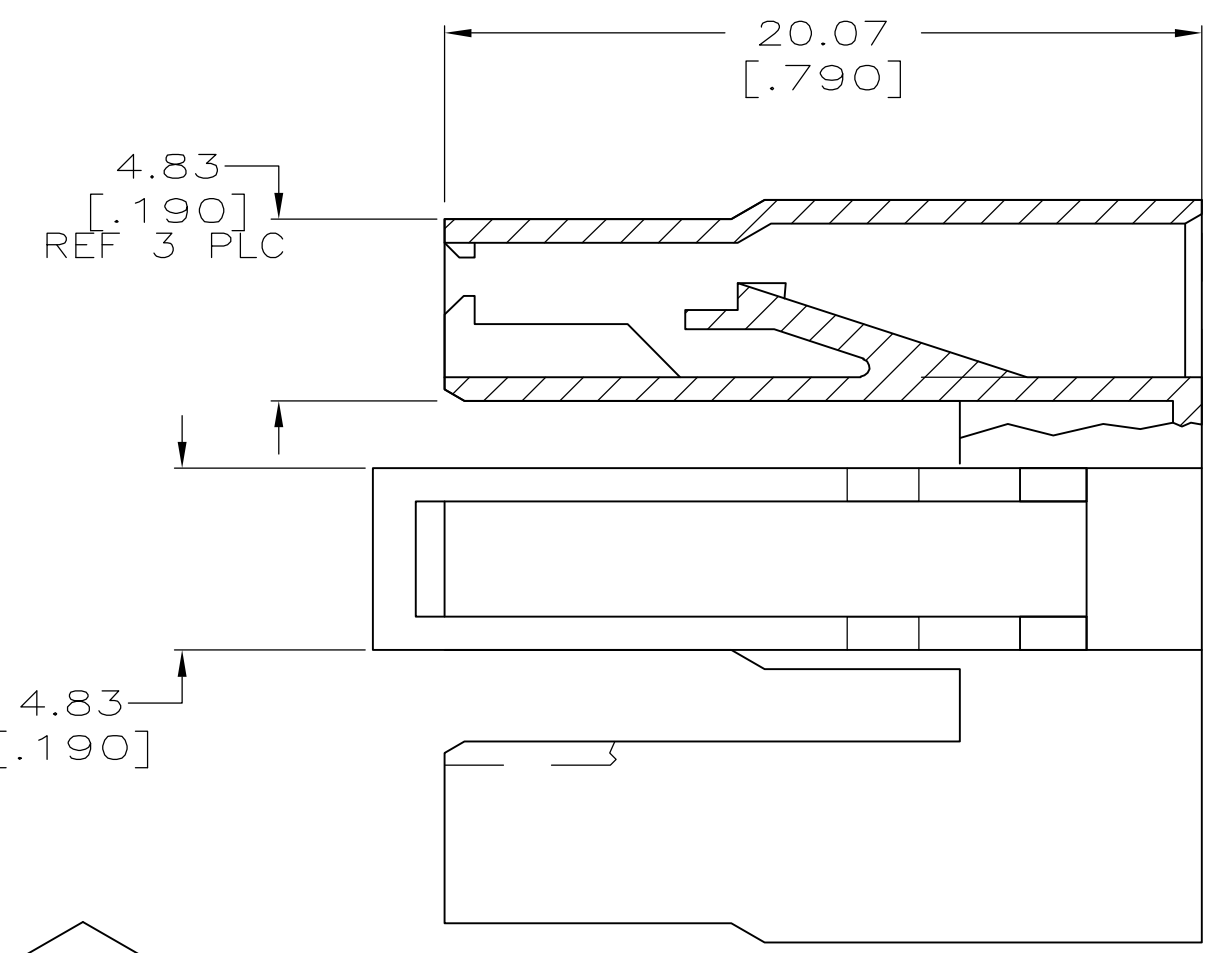
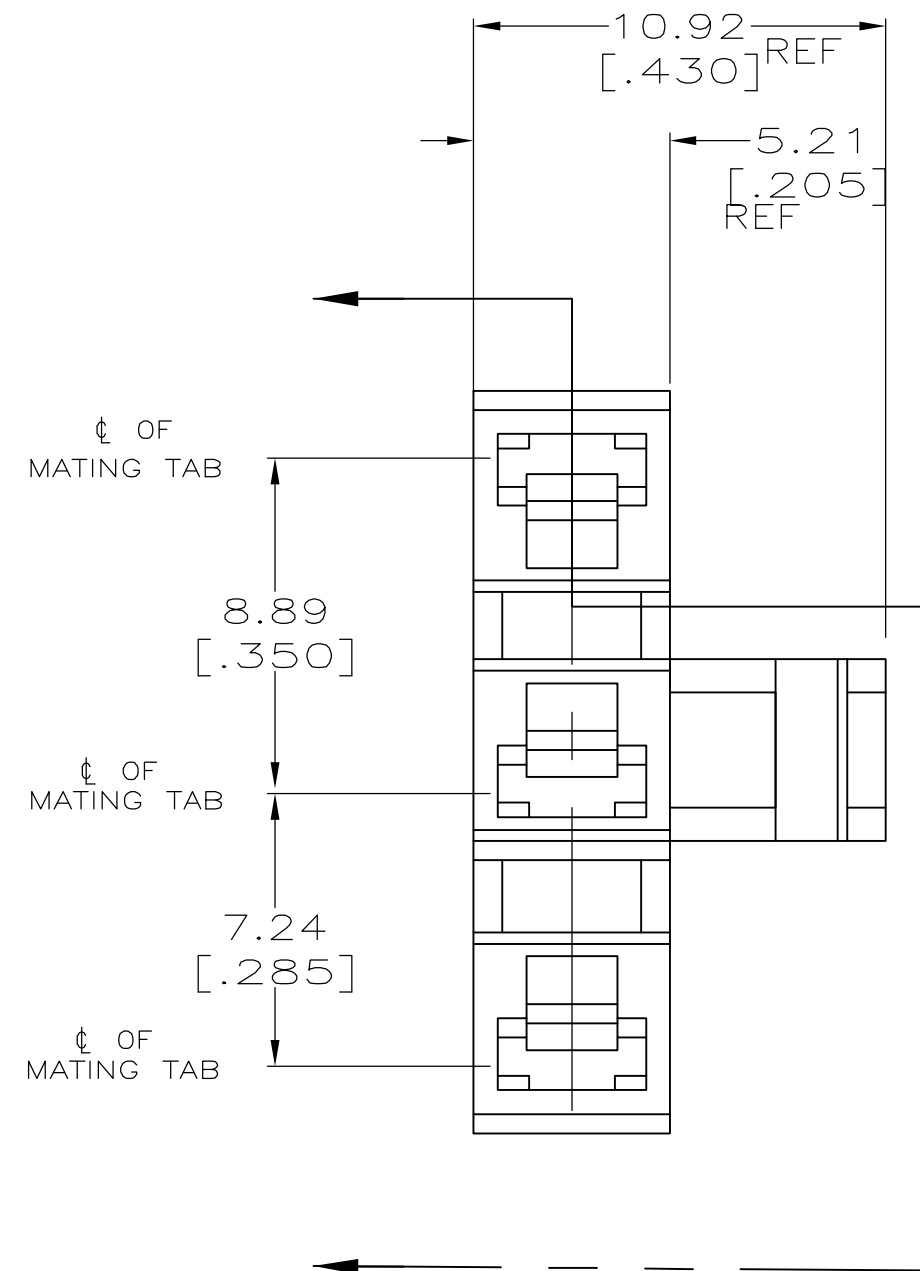
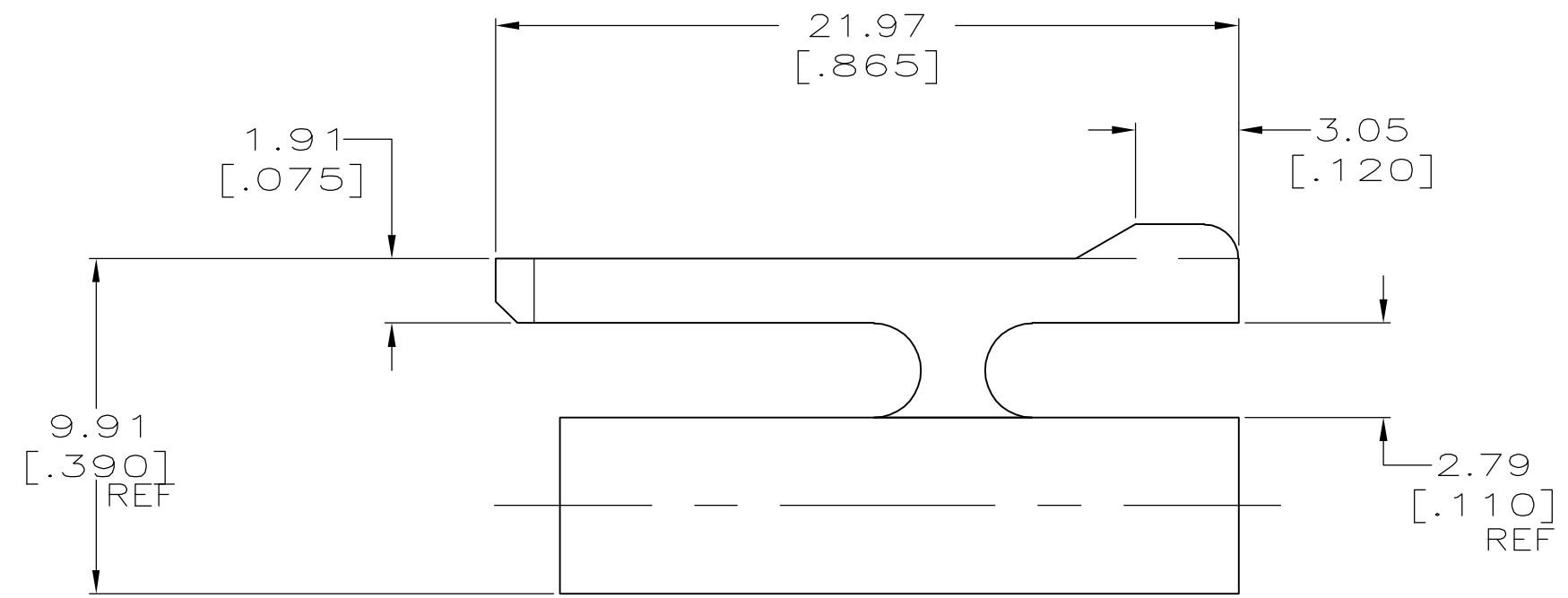


THIS DRAWING IS UNPUBLISHED. RELEASED FOR PUBLICATION
 © COPYRIGHT BY TYCO ELECTRONICS CORPORATION. ALL RIGHTS RESERVED.

LOC	DIST	REVISIONS			
P	LTR	DESCRIPTION	DATE	DWN	APVD
AF	50	J	REV PER ECR 05-005137	26SEP05	JR PD



6/66 NYLON, V0	521311-2
6/6 NYLON, V2	521311-1
MATERIAL	PART NO.

THIS DRAWING IS A CONTROLLED DOCUMENT.		DWN	JR RUTH	OBJUN00	 Tyco Electronics Corporation Harrisburg, PA 17105-3608							
DIMENSIONS: mm		CHK	MS FEHER	OBJUN00								
TOLERANCES UNLESS OTHERWISE SPECIFIED:		APVD	P DESANTIS	OBJUN00								
0 PLC ± - 1 PLC ± - 2 PLC ± 0.25 [.010] 3 PLC ± - 4 PLC ± - ANGLES ± - FINISH NATURAL		PRODUCT SPEC	HOUSING, RECEPT, FASTON, .110 SERIES, 3 POSITION									
MATERIAL	SEE TABLE	APPLICATION SPEC	-		SIZE	A2	CAGE CODE	00779	DRAWING NO	C=521311	RESTRICTED TO	-
CUSTOMER DRAWING		WEIGHT	-		SCALE	5:1		SHEET	1 of 1		REV	J