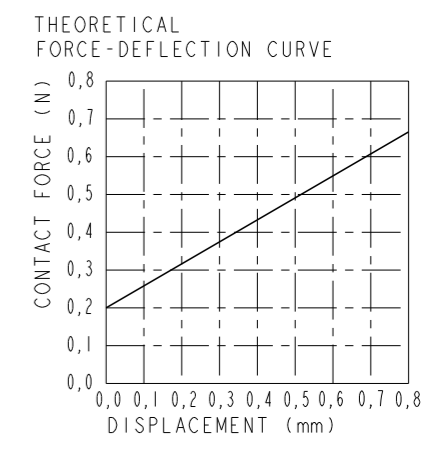
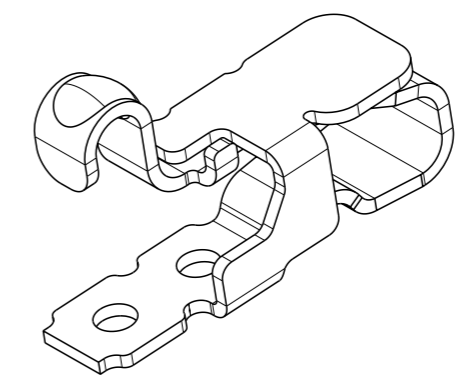
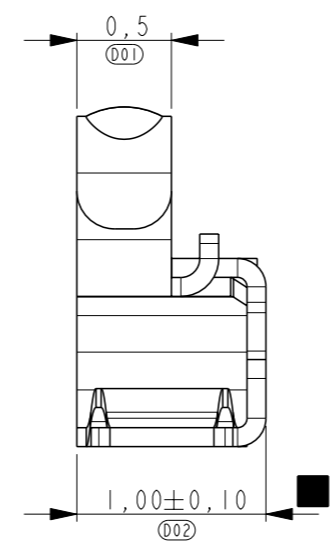
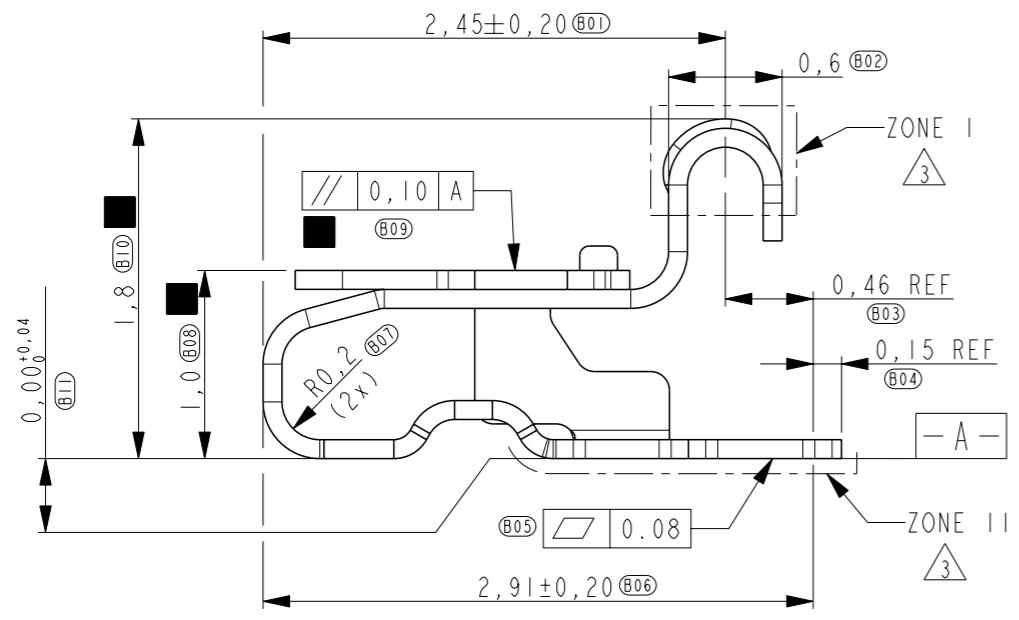
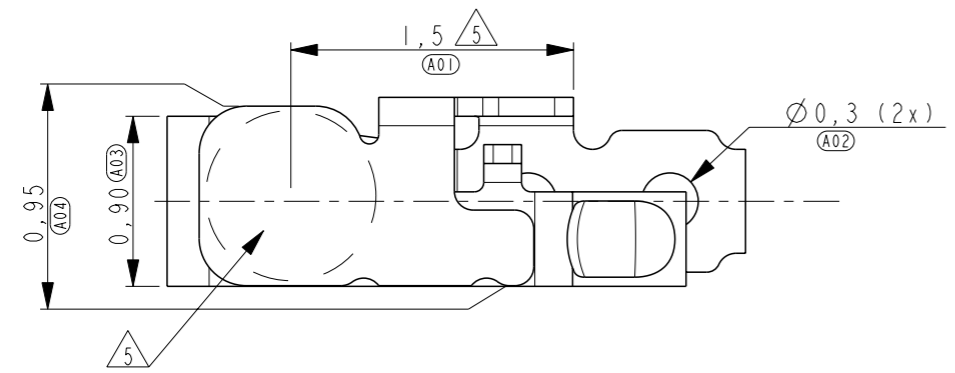


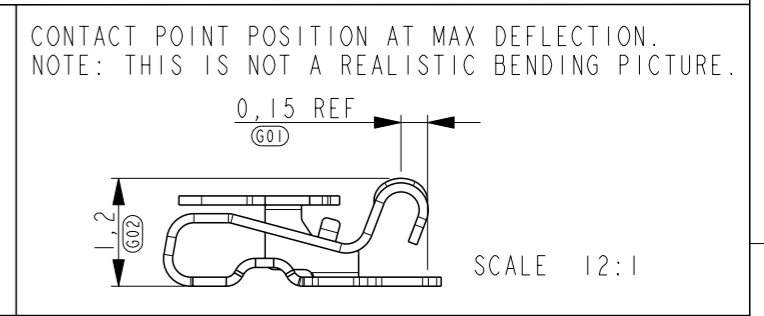
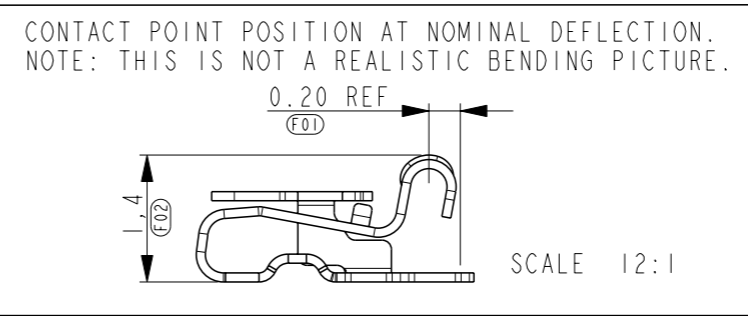
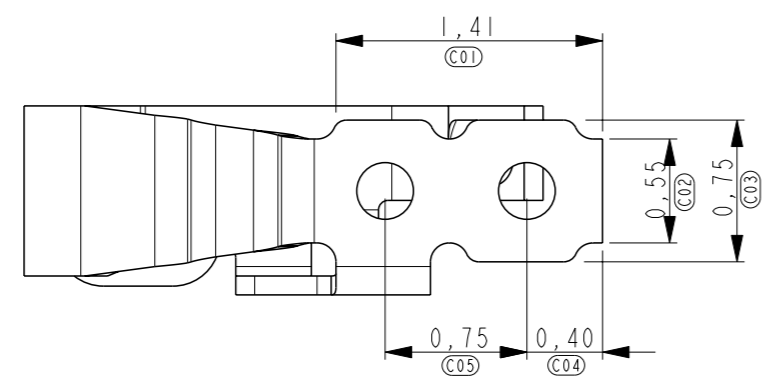
THIS DRAWING IS UNPUBLISHED. RELEASED FOR PUBLICATION
 © COPYRIGHT - BY TYCO ELECTRONICS CORPORATION. ALL RIGHTS RESERVED.

LOC	DIST	REVISIONS			
P	LTR	DESCRIPTION	DATE	DWN	APVD
H	-	B	ECR-11-004258	25FEB2011	JvH DH

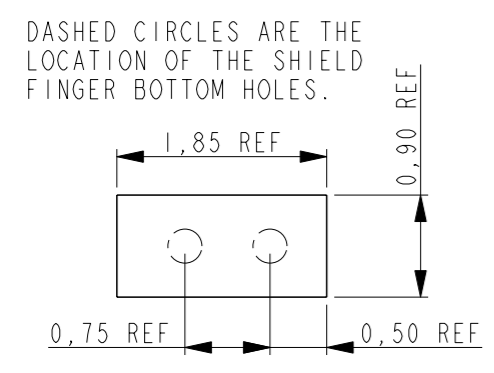


NOTES:

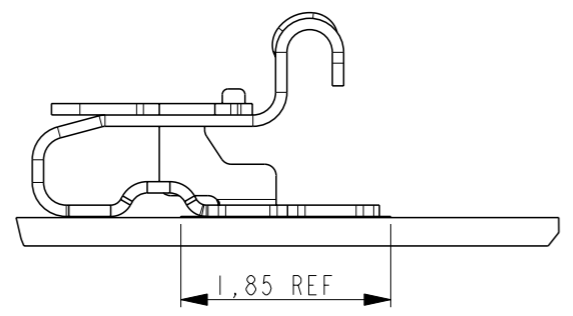
- 1 PART NUMBER: 1551281-4 AS SHOWN.
- 2 MATERIAL: TiCu.
- 3 PLATING: 1,3µm MIN. NICKEL UNDERLAYER ALL OVER
 ZONE I: 0,50µm MIN. GOLD
 ZONE II: GOLD FLASH
- 4 FORCE AT MIN DEFLECTION (AT 1,6mm) 0,20N MIN.
 FORCE AT MAX DEFLECTION (AT 1,2mm) 0,80N MAX.
- 5 INDICATED SURFACE TO BE USED AS PICK AND PLACE SURFACE.
 THE DASHED LINE INDICATES A Ø0,90mm VACUUM PICKER.
- 6 ■=CRITICAL DIMENSION WHICH EFFECTS FORM FIT & FUNCTION



RECOMMENDED PWB LAY-OUT.



REFERENCE VIEW FOR COMPONENT PLACEMENT

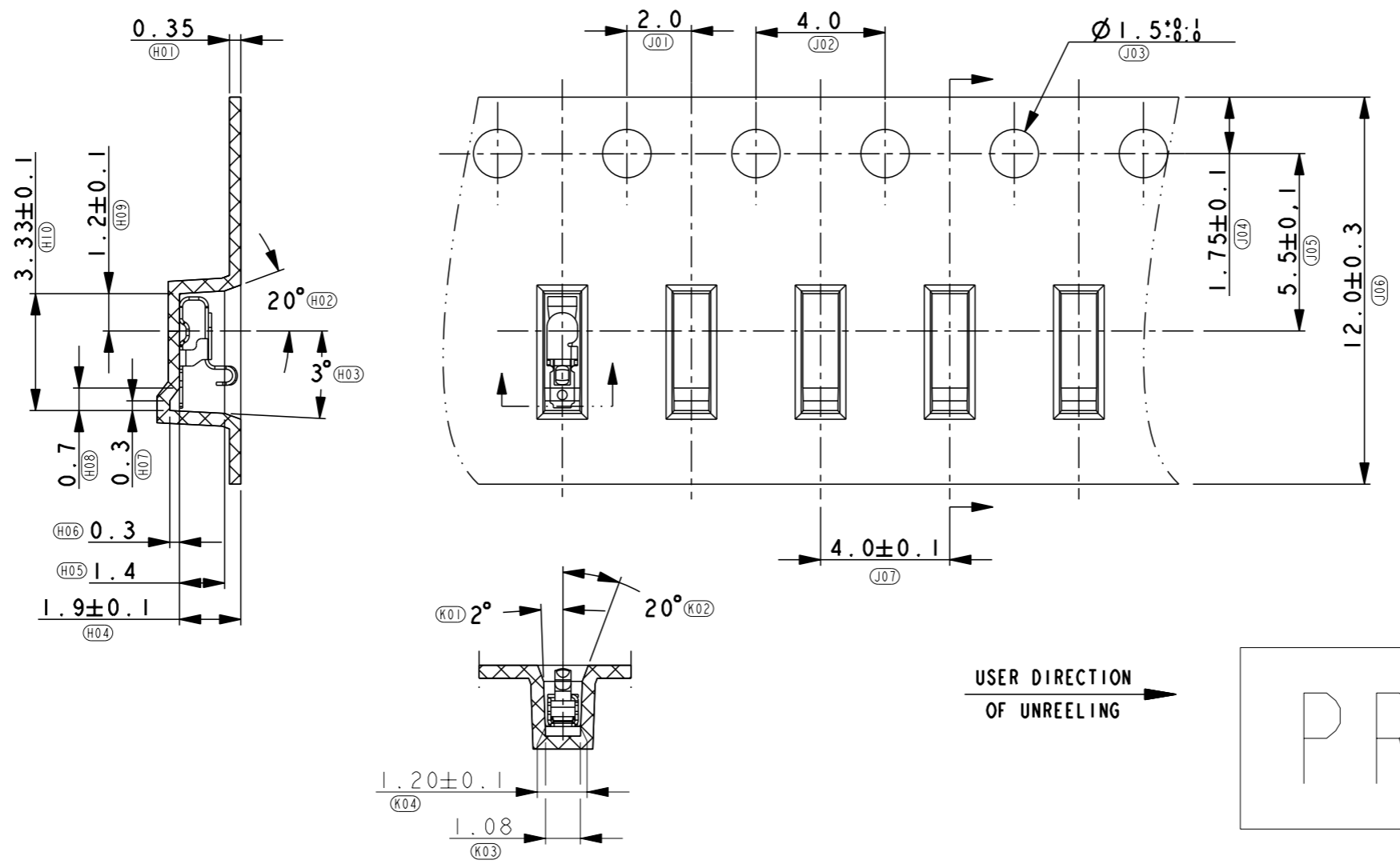


THIS DRAWING IS A CONTROLLED DOCUMENT FOR TYCO ELECTRONICS CORPORATION
 IT IS SUBJECT TO CHANGE AND THE CONTROLLING ENGINEERING ORGANIZATION
 SHOULD BE CONTACTED FOR THE LATEST REVISION.

DIMENSIONS: mm	TOLERANCES UNLESS OTHERWISE SPECIFIED: 0 PLC ±0,20 1 PLC ±0,10 2 PLC ±0,10 3 PLC ±0,05 4 PLC ± ANGLES ± FINISH	DWN W. Jansen 15-JUL-09	Tyco Electronics Tyco Electronics Nederland BV 's-Hertogenbosch, The Netherlands	
		CHK W. Jansen 15-JUL-09	NAME SPRING FINGER 1,8 mm LEFT	
MATERIAL -	FINISH -	APVD D. Halberstadt 15-JUL-09	PRODUCT SPEC -	RESTRICTED TO -
		APPLICATION SPEC -	WEIGHT 0,0055g	SIZE A3 CAGE CODE 00779
CUSTOMER DRAWING		DRAWING NO. C-1551281	SCALE 20:1	SHEET 1 OF 2 REV B

THIS DRAWING IS UNPUBLISHED. RELEASED FOR PUBLICATION
 © COPYRIGHT - BY TYCO ELECTRONICS CORPORATION. ALL RIGHTS RESERVED.

LOC	DIST	REVISIONS			
P	LTR	DESCRIPTION	DATE	DWN	APVD
H	-	SEE SHEET 1	-	-	-



PROPOSAL

<small>THIS DRAWING IS A CONTROLLED DOCUMENT FOR TYCO ELECTRONICS CORPORATION IT IS SUBJECT TO CHANGE AND THE CONTROLLING ENGINEERING ORGANIZATION SHOULD BE CONTACTED FOR THE LATEST REVISION.</small>		DWN 15-JUL-09 W. Jansen		Tyco Electronics Nederland BV 's-Hertogenbosch, The Netherlands	
DIMENSIONS: mm		TOLERANCES UNLESS OTHERWISE SPECIFIED: 0 PLC ±0,20 1 PLC ±0,10 2 PLC ±0,10 3 PLC ±0,05 4 PLC ±- ANGLES ±-		NAME SPRING FINGER 1,8 mm LEFT	
		MATERIAL - FINISH -		PRODUCT SPEC - APPLICATION SPEC -	
WEIGHT 0,0055g		SIZE A3		CAGE CODE 00779	
CUSTOMER DRAWING		DRAWING NO C-1551281		RESTRICTED TO -	
SCALE 20:1		SHEET 2 OF 2		REV B	