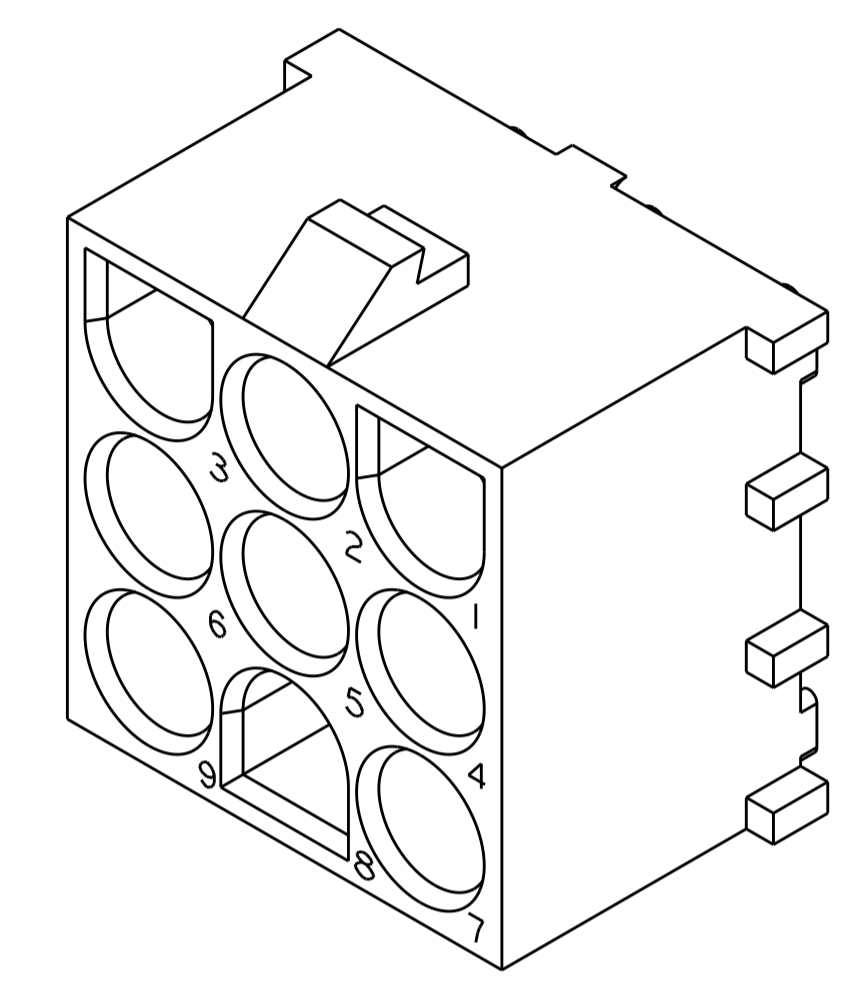
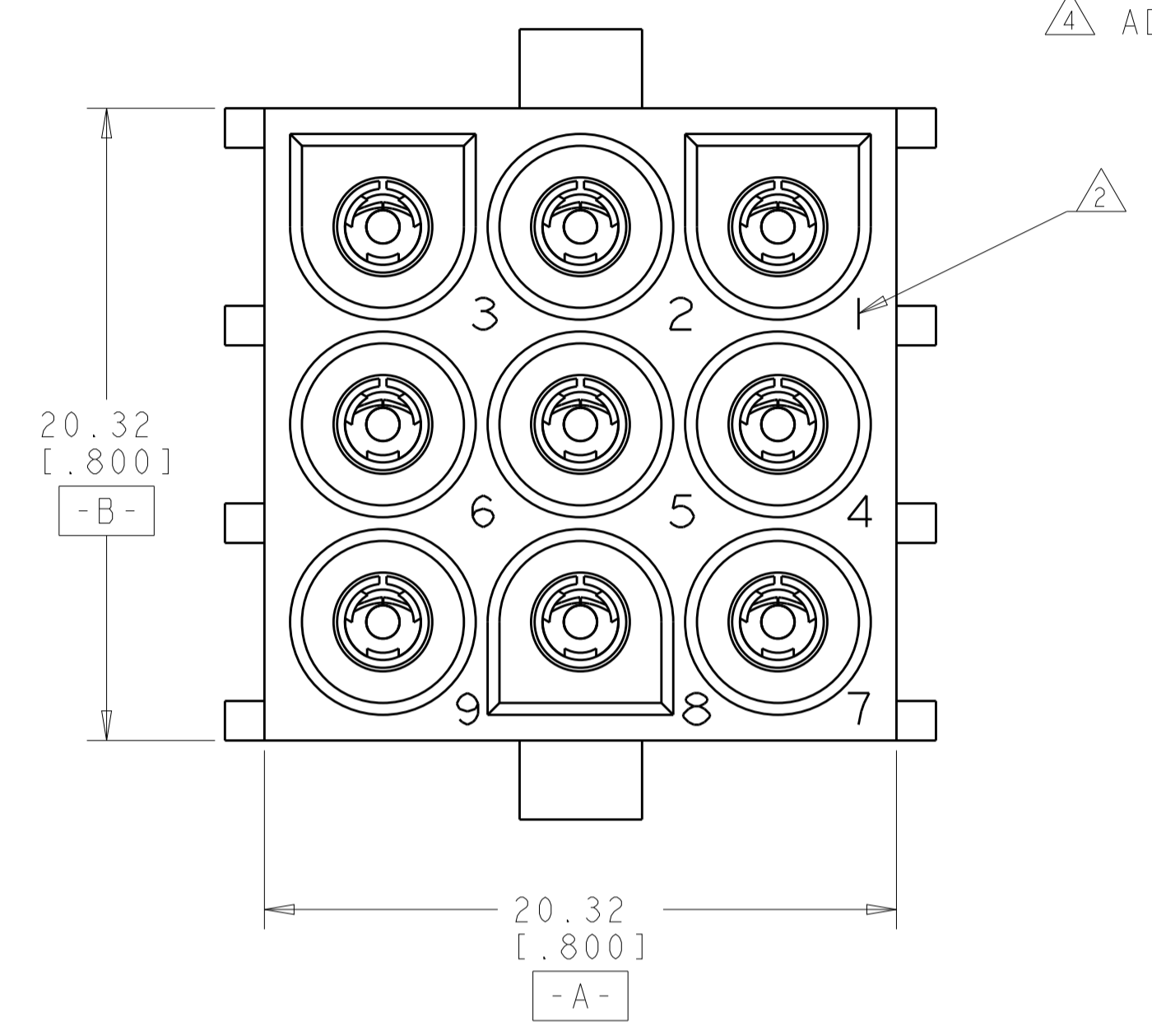
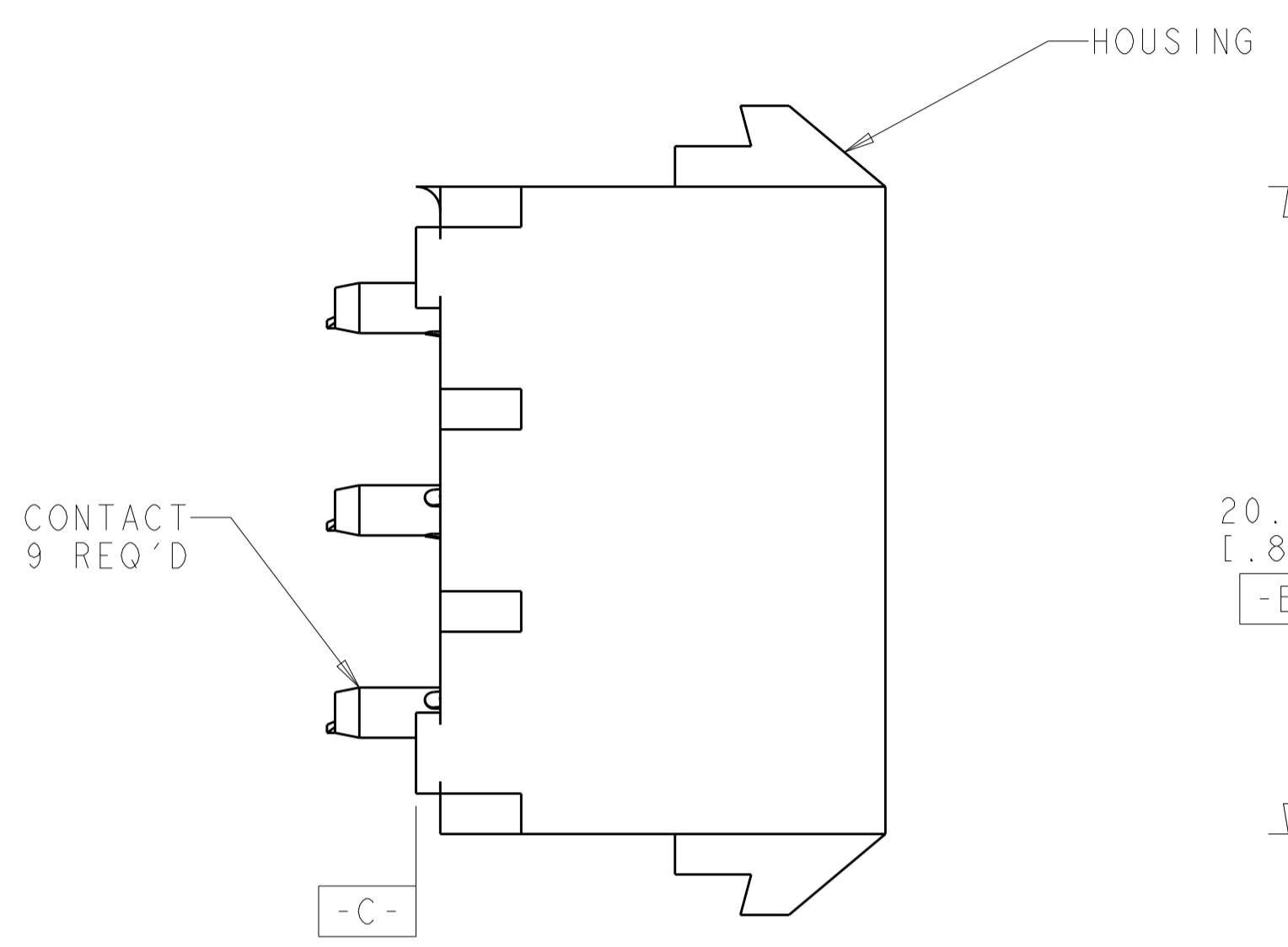
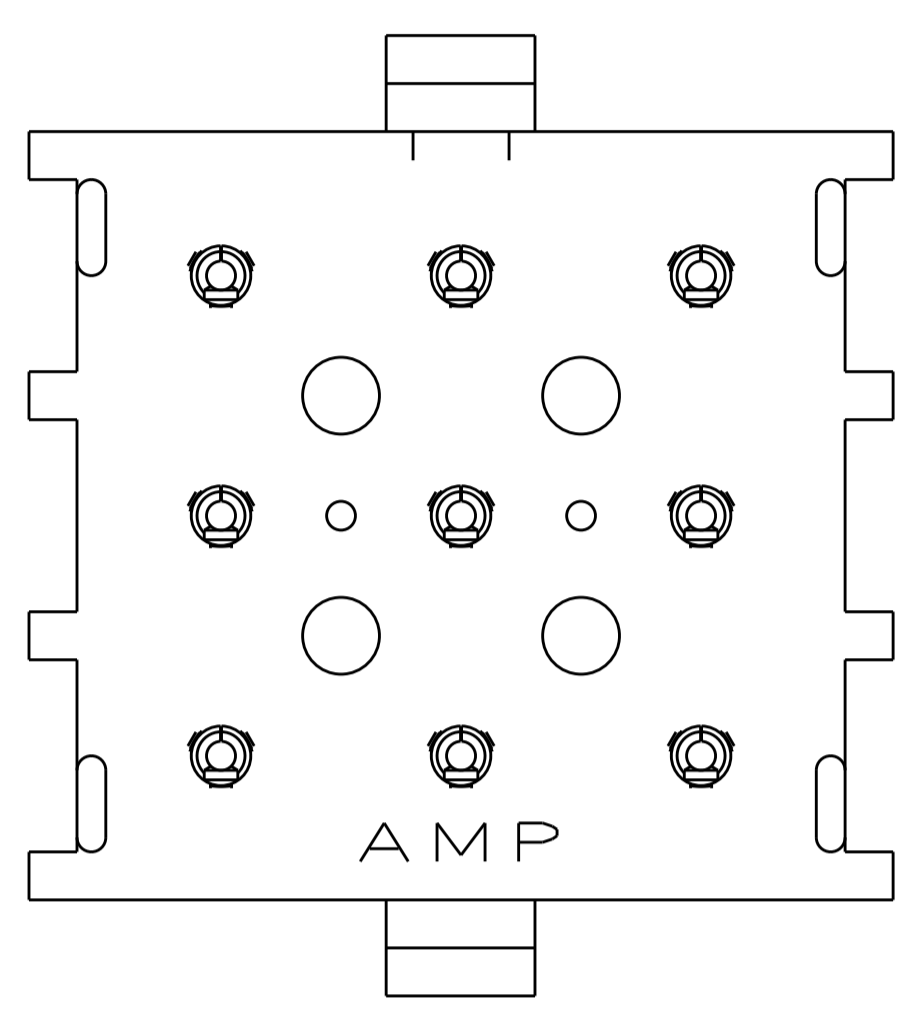
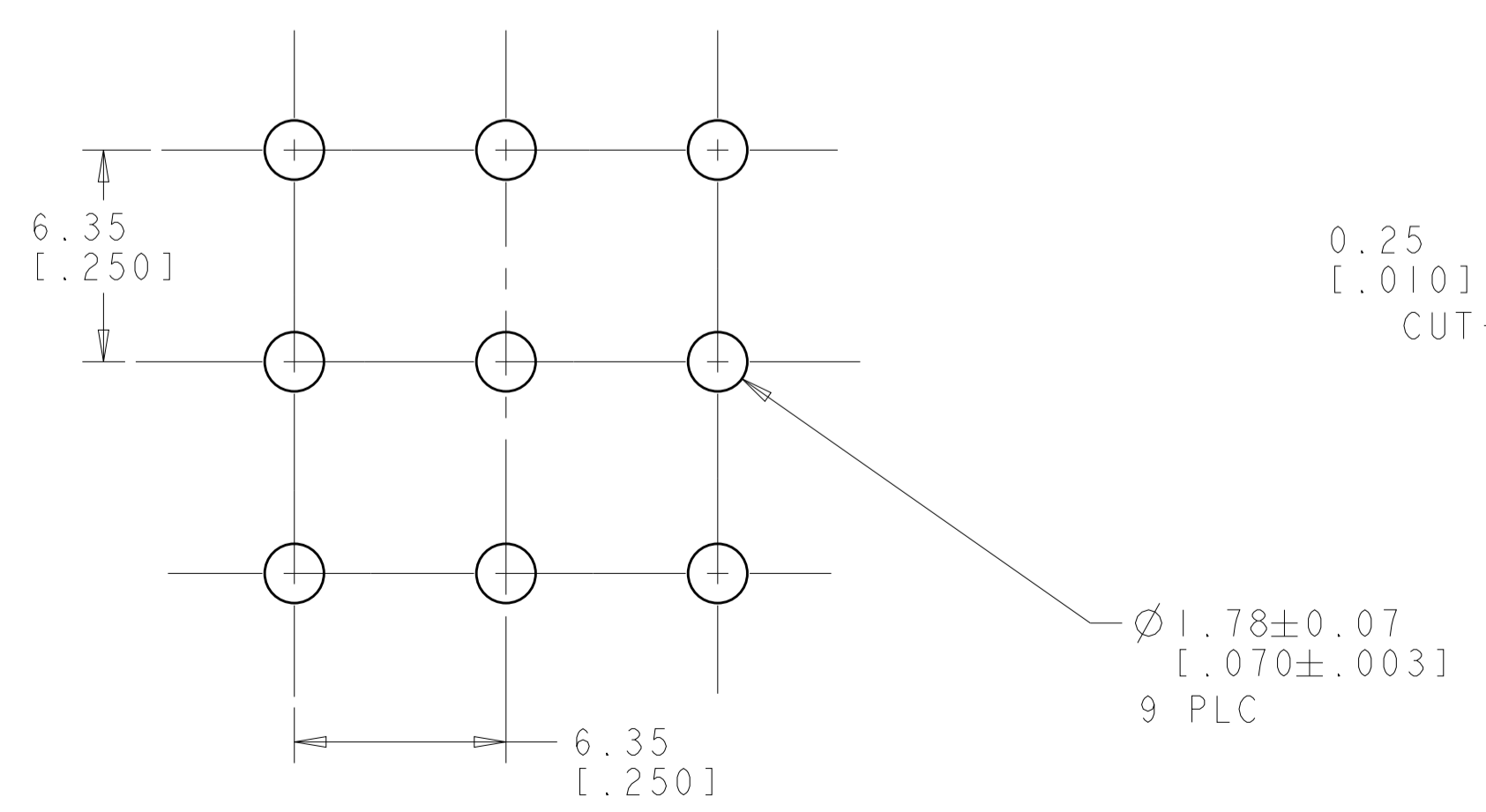


LOC	DIST	REVISIONS					
		P	LTN	DESCRIPTION	DATE	DWN	APVD
CM	00	A5		REVISED PER ECR-16-005580	15APR16	RS	EW

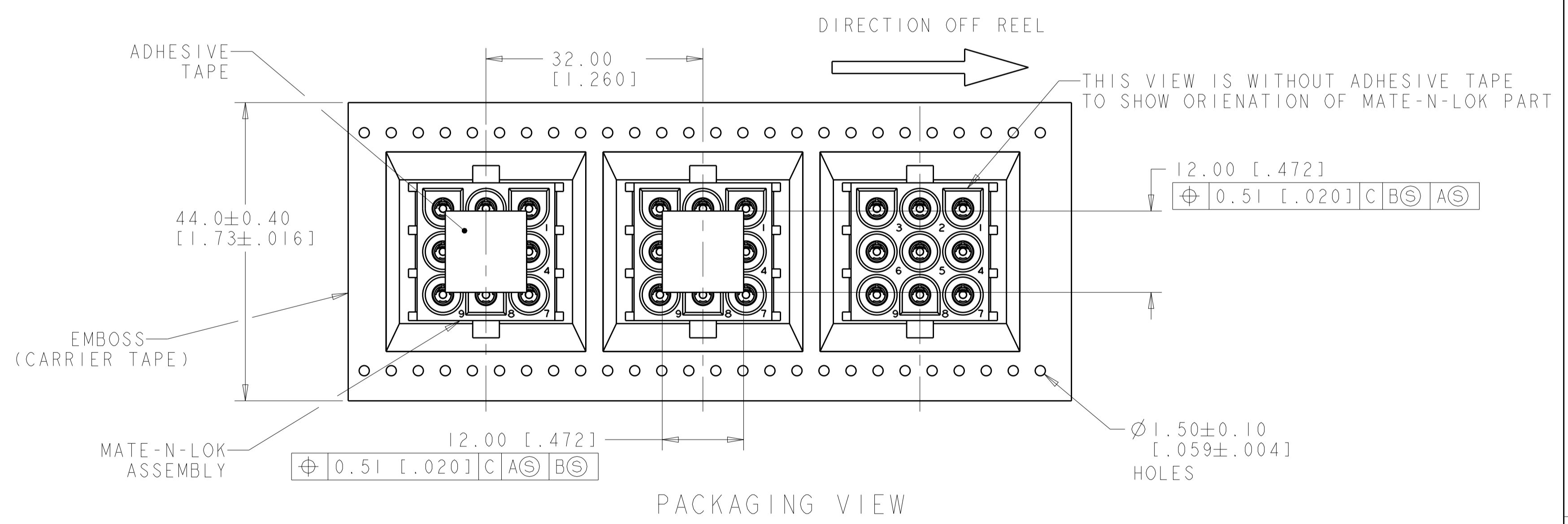
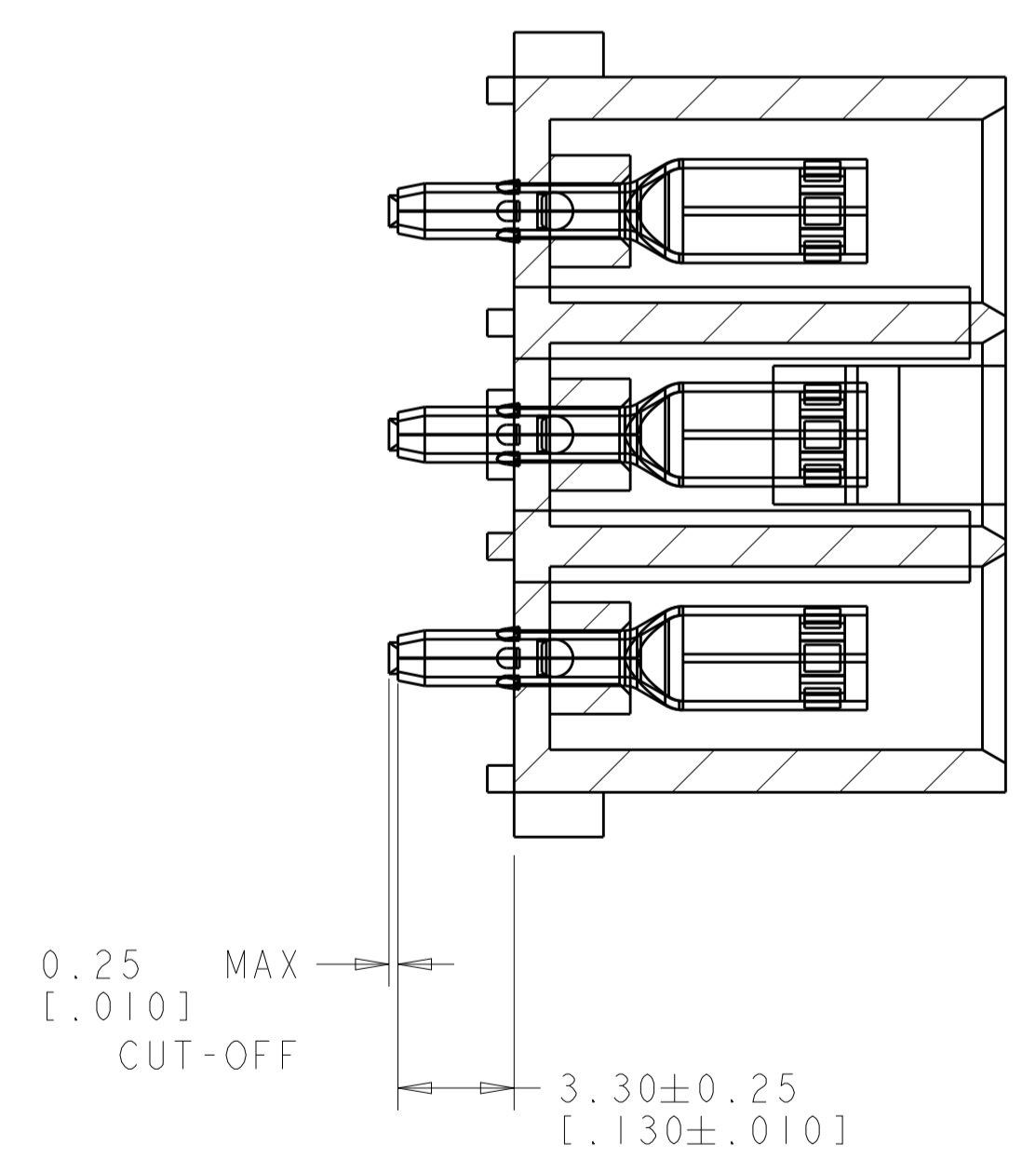
- 1 PARTS COMPLY TO AMP SOLDERABILITY SPECIFICATION 109-11-2.
- 2 CIRCUIT IDENTIFICATION CHARACTERS ARE ADJACENT TO THE INDICATED CAVITIES, BUT LOCATION AND ORIENTATION MAY DIFFER FROM PRINT.
- 3 TAPE & REEL PACKAGING.
- 4 ADHESIVE TAPE



3 DIMENSIONAL MODEL  
SCALE 4:1



RECOMMENDED MOUNTING HOLE PATTERN  
FOR 1.57 [.062] THICK P.C. BOARD



3 4	PHOSPHOR BRONZE, PRE-TIN	NYLON, UL94V-2, NATURAL	5-2029002-1
3	PHOSPHOR BRONZE, PRE-TIN	NYLON, UL94V-2, NATURAL	5-2029002-0
	PHOSPHOR BRONZE, PRE-TIN	NYLON, UL94V-2, NATURAL	2029002-1
REMARKS	PIN CONTACT MATERIAL AND FINISH	HOUSING MATERIAL AND COLOR	PART NUMBER

THIS DRAWING IS A CONTROLLED DOCUMENT.		DWN R. WHITAKER 26SEP2007	TE Connectivity
DIMENSIONS: mm [INCHES]		CHK D. COLEY 26SEP2007	
TOLERANCES UNLESS OTHERWISE SPECIFIED:		APVD D. COLEY 26SEP2007	NAME SOCKET HEADER ASSEMBLY, 9 CIRCUIT, SHORT TAIL UNIVERSAL MATE-N-LOK(TM)
0 PLC ± 1 PLC ±0.131(.005) 2 PLC ± 3 PLC ± 4 PLC ± ANGLES ±40°30'		PRODUCT SPEC	SIZE A1
MATERIAL SEE TABLE		APPLICATION SPEC	SCALE 5:1
FINISH SEE TABLE		WEIGHT	SHEET 1 OF 1
		CUSTOMER DRAWING	REV A6