

NOTES:

1. MATERIALS AND FINISHES:

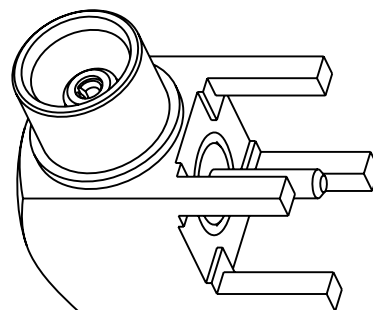
- BODY - BRASS, NICKEL PLATING (.000100" MIN. THICK)
- HOUSING - BRASS, MATTE-TIN PLATING (.000100" MIN. THICK)
- CONTACT - BeCu, GOLD PLATING (.000003" MIN. THICK)
- INSULATOR - PTFE, NATURAL

2. ELECTRICAL:

- A. IMPEDANCE: 50 OHM
- B. FREQUENCY RANGE: DC - 6 GHz
- C. D.W.V: 1000 VRMS, MIN.

3. MECHANICAL:

- A. DURABILITY: 500 CYCLES MIN.
- B. TEMPERATURE RANGE: -65°C TO +165°C

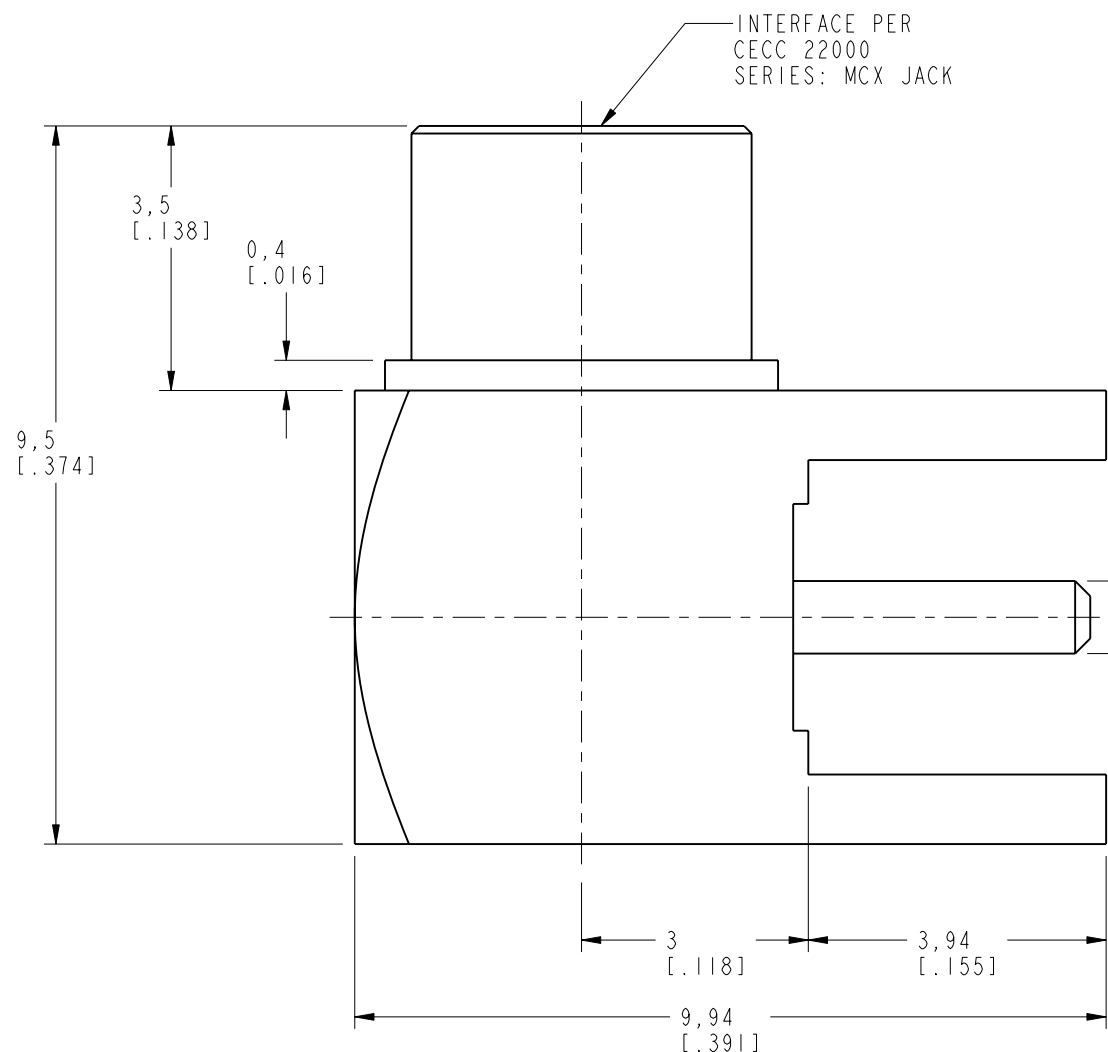


SCALE 4.000

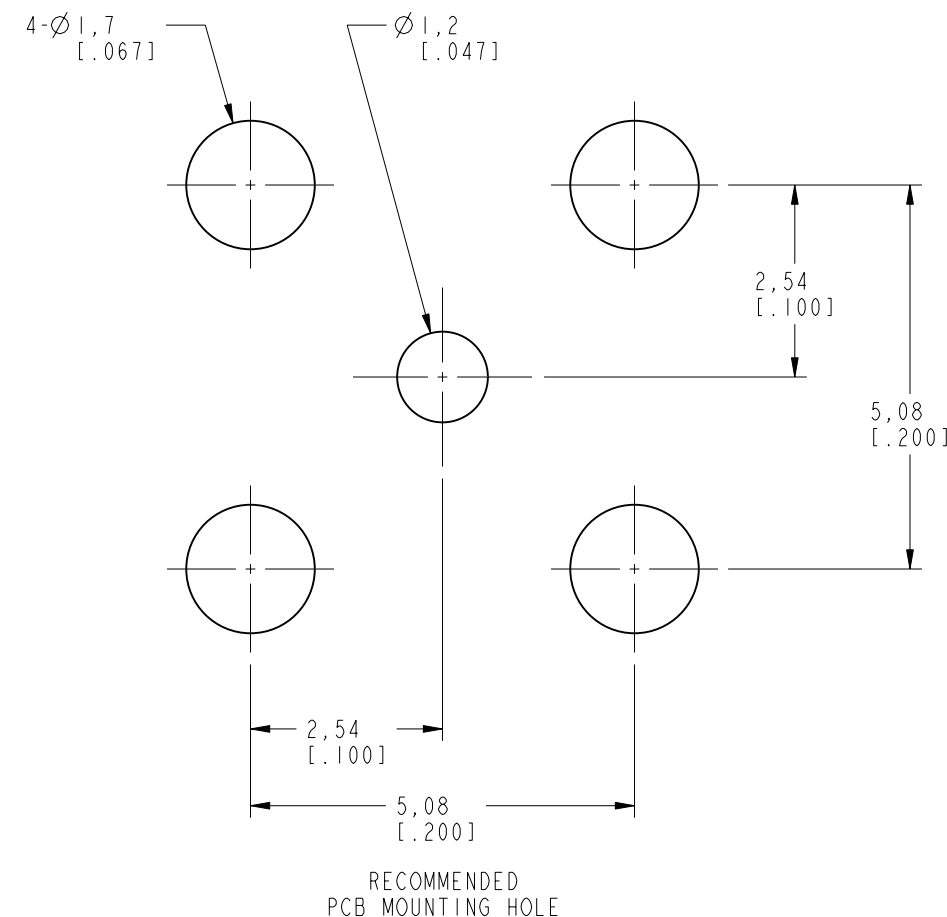
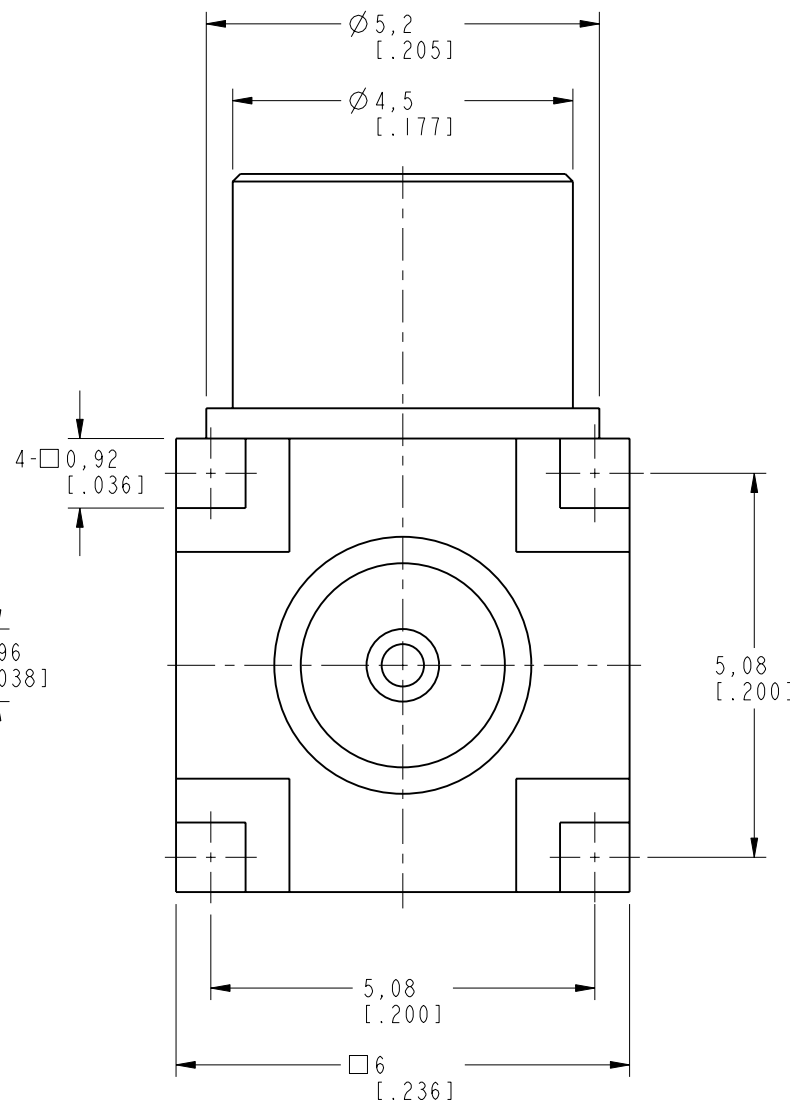
THIRD ANGLE PROJ.

REVISIONS

REV	DESCRIPTION	DATE	ECO	APPR
A	RELEASE TO MFG.	04-Jul-16	01326	MZ



INTERFACE PER  
CECC 22000  
SERIES: MCX JACK



**CUSTOMER OUTLINE DRAWING**  
ALL OTHER SHEETS ARE FOR INTERNAL USE ONLY

UNLESS OTHERWISE SPECIFIED, DIMENSIONS ARE IN METRIC AND TOLERANCES ARE:  
 < 0.5mm ± 0.05mm    0.5 - 6mm ± 0.1mm    6 - 30mm ± 0.2mm    30 - 120mm ± 0.3mm    ANGLES ± 1°

NOTICE - These drawings, specifications, or other data (1) are, and remain the property of Amphenol corp. (2) must be returned upon request; and (3) are confidential and not to be disclosed to any person other than those to whom they are given by Amphenol Corp. the furnishing of these drawings, specifications, or other data by Amphenol Corp., or to any other person to anyone for any purpose is not to be regarded by implication or otherwise in any manner licensing, granting rights to permitting such holder or any other person to manufacture, use or sell any product, process or design, patented or otherwise, that may in any way be related to or disclosed by said drawings, specifications, or other data.

MATERIAL	
REFERENCE	SAME AS MCX6252B1-3GT30G-50 EXCEPT PLATING CONFIGURATION LEVEL: In Work
FINISH	

DRAWN	M. ZHANG	DATE	04-Jul-16
ENGINEER	S. DUAN	DATE	04-Jul-16
APPROVED	S. HSIEH	DATE	06-Jul-16
CAD FILE			

TITLE	MCX R/A P.C. BOARD RECEPT. JACK (3.94 LEGS - MATTE TIN)
SCALE:	10.0:1.0
SHEET	2 OF 2
DWG SIZE	B
REV	A

Amphenol RF	
www.amphenolrf.com	
DRAWING NO.	919-383J-51A
ITEM NO.	919-383J-51A
PART NO.	919-383J-51A