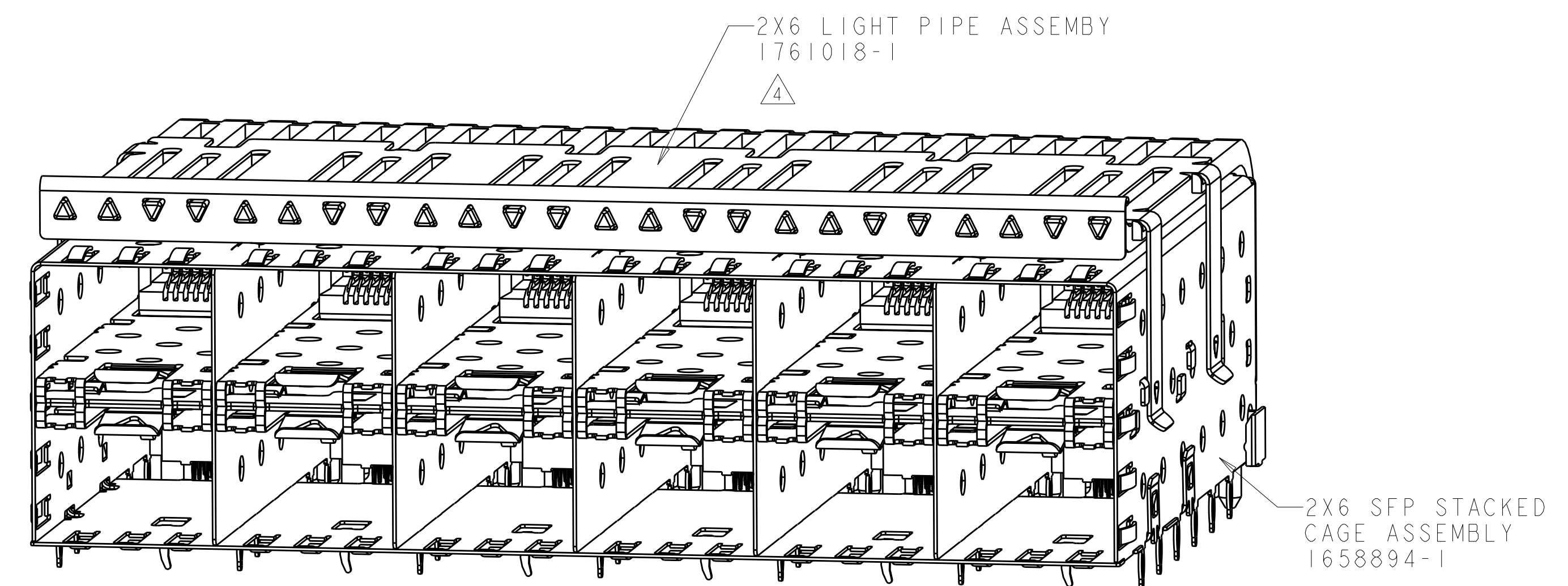
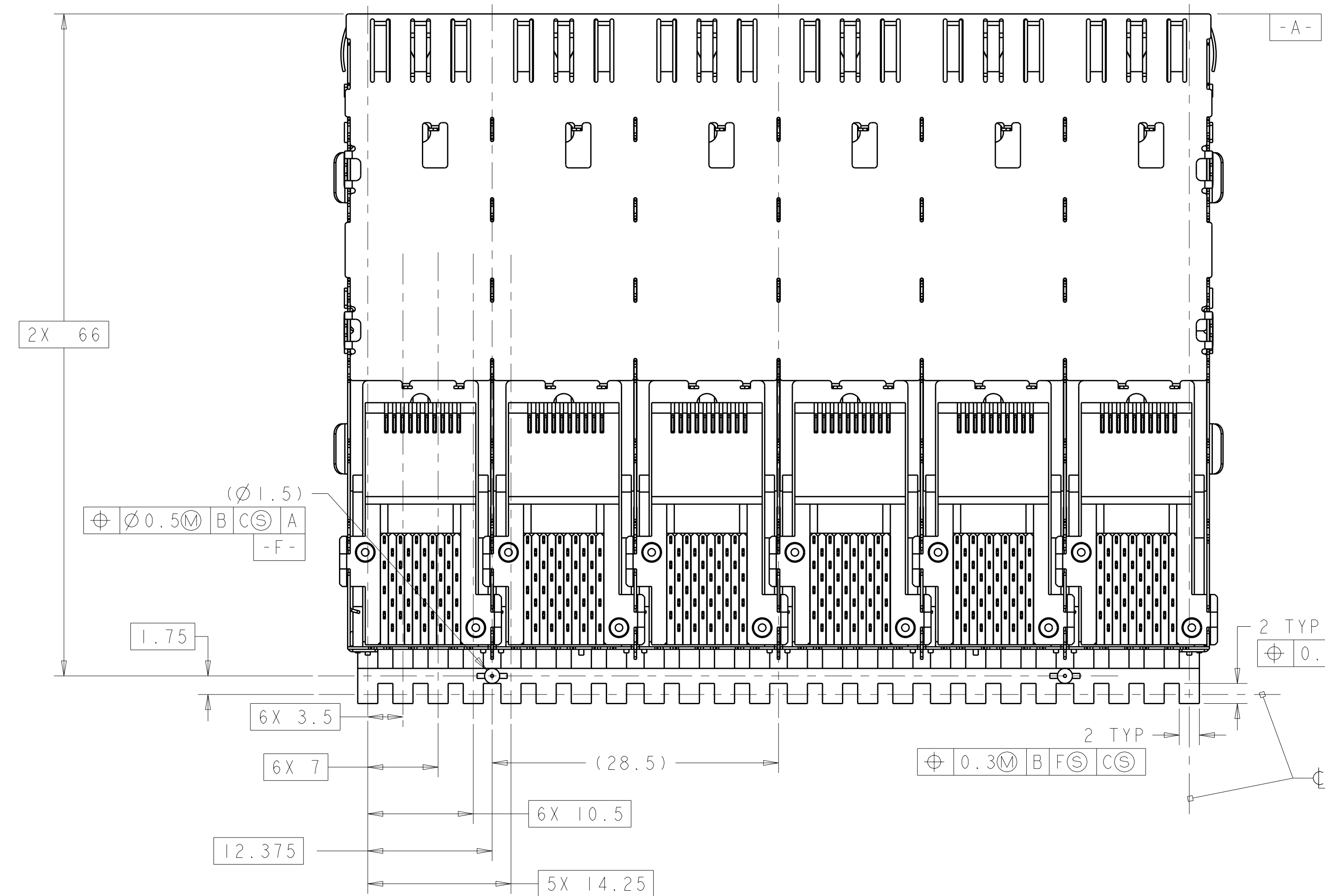
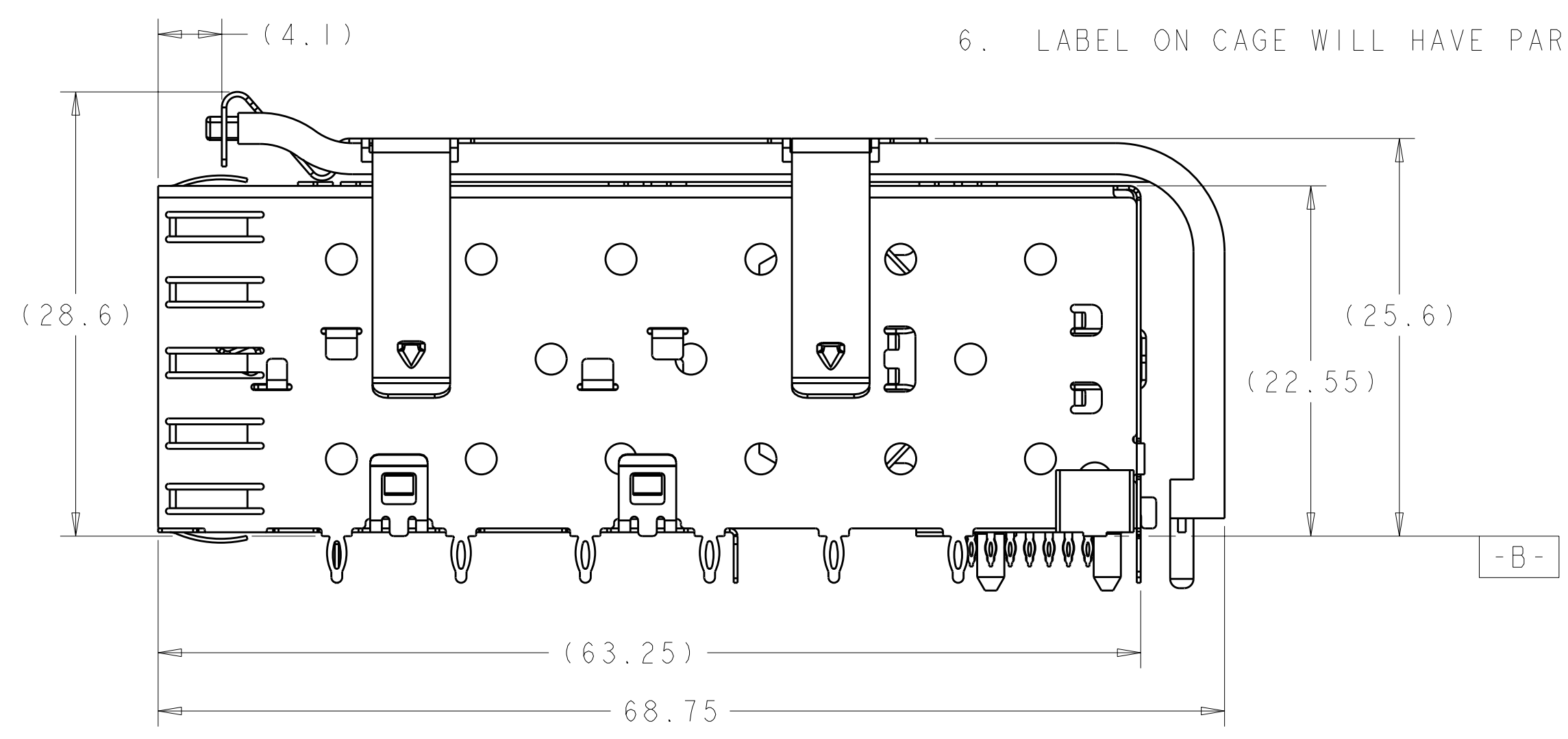
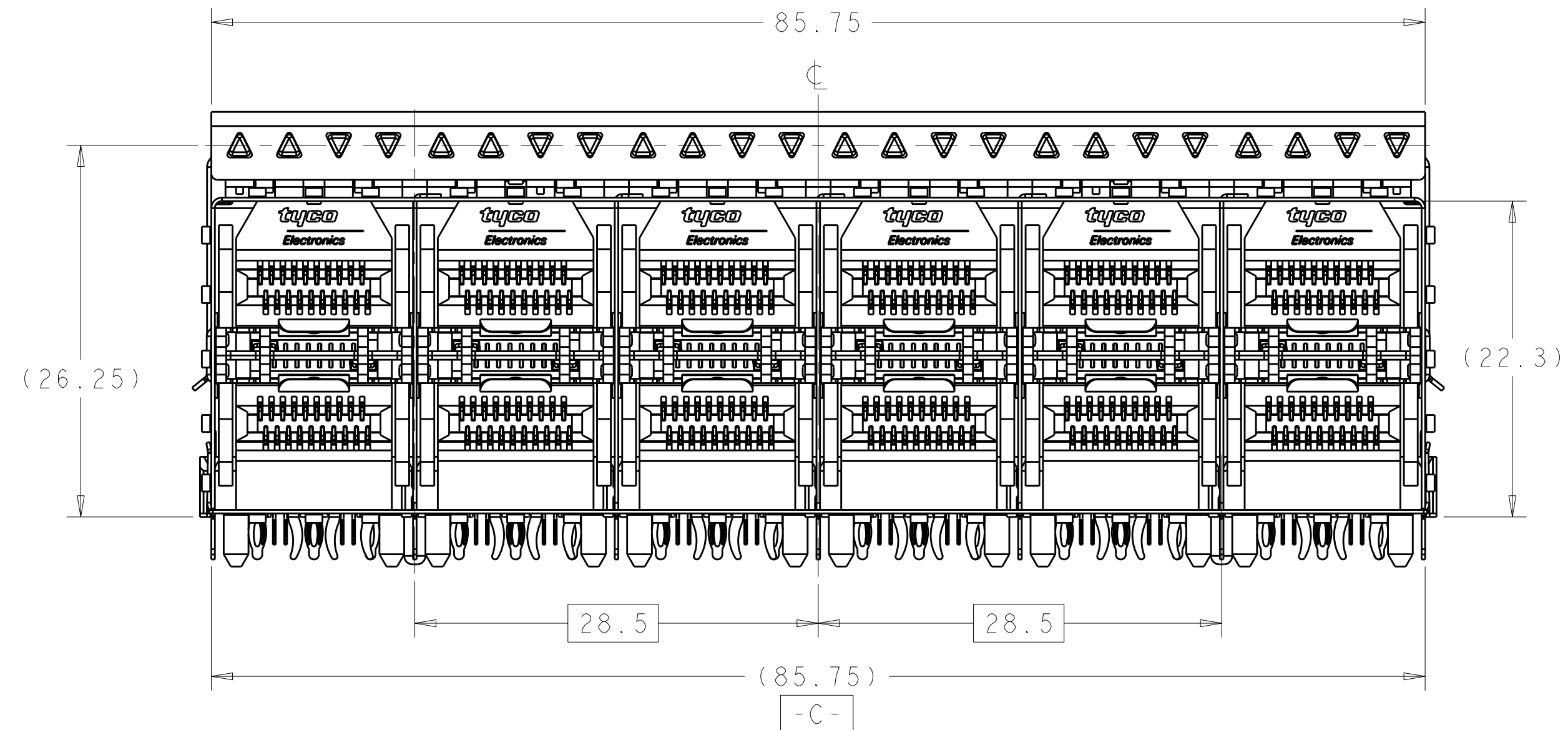


| LOC | DIST | REV | DATE | DWN | APVD |
|-----|------|-----|-----------|-----|------|
| ES | 00 | B1 | 13MAY08 | ML | SY |
| | | B2 | 03JUN08 | AZ | SY |
| | | C | 11NOV2008 | AL | SY |

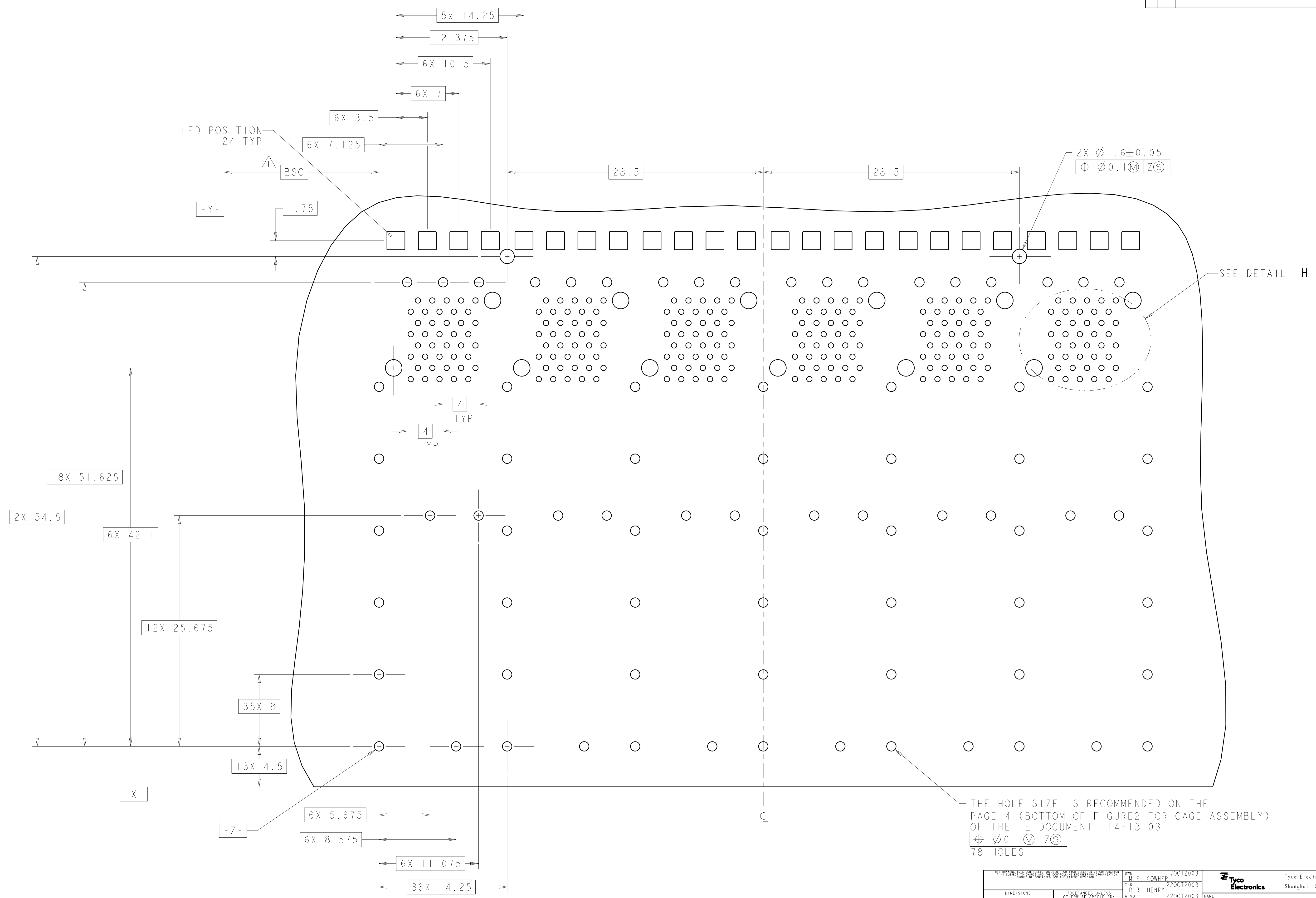
- 1. DATUM AND BASIC DIMENSION TO BE DETERMINED BY CUSTOMER
- 2. DATUM C APPLIES OVER ENTIRE DIMENSION
- 3. INTERPRETATION OF DATUM REFERENCE FRAME IN ACCORDANCE WITH SECT 4.4.1.1 OF ASME Y14.5M-1994
- 4. LIGHT PIPE KIT SUPPLIED SEPARATELY, KIT TO BE ATTACHED AFTER SEATING OF 1658894-1 ON BOARD.
- 5. CAGE CONSISTS OF LIGHT PIPE ASSEMBLY AND CAGE/CONNECTOR ASSEMBLY, SUPPLIED UNASSEMBLED.
- 6. LABEL ON CAGE WILL HAVE PART NUMBER 1658894-1.



1658895-1
 PART NUMBER

| | | | | | |
|---|--|--|--|---|--|
| DIMENSIONS: mm TOLERANCES UNLESS OTHERWISE SPECIFIED: 9 PLC ±0.25 1 PLC ±0.25 3 PLC ±0.1 4 PLC ± ANGLES ± | | DWN M.E. COWHER 17OCT2003 CHK R.R. HENRY 22OCT2003 APVD R.R. HENRY 22OCT2003 NAME 2X6 CONNECTOR ASSEMBLY WITH LIGHT PIPE, PRESS FIT, STACKED SFP PRODUCT SPEC 108-2161 APPLICATION SPEC 114-13103 WEIGHT CUSTOMER DRAWING | | Tyco Electronics Shanghai, China SIZE CAGE CODE DRAWING NO RESTRICTED TO A 00779 C=1658895 SCALE 3:1 SHEET 1 OF 3 REV C | |
|---|--|--|--|---|--|

| LOC | DIST | REVISIONS | | | |
|-----|------|-----------|-------------|----|------|
| ES | 00 | REV | DATE | BY | APPD |
| | | 1 | SEE SHEET 1 | | |

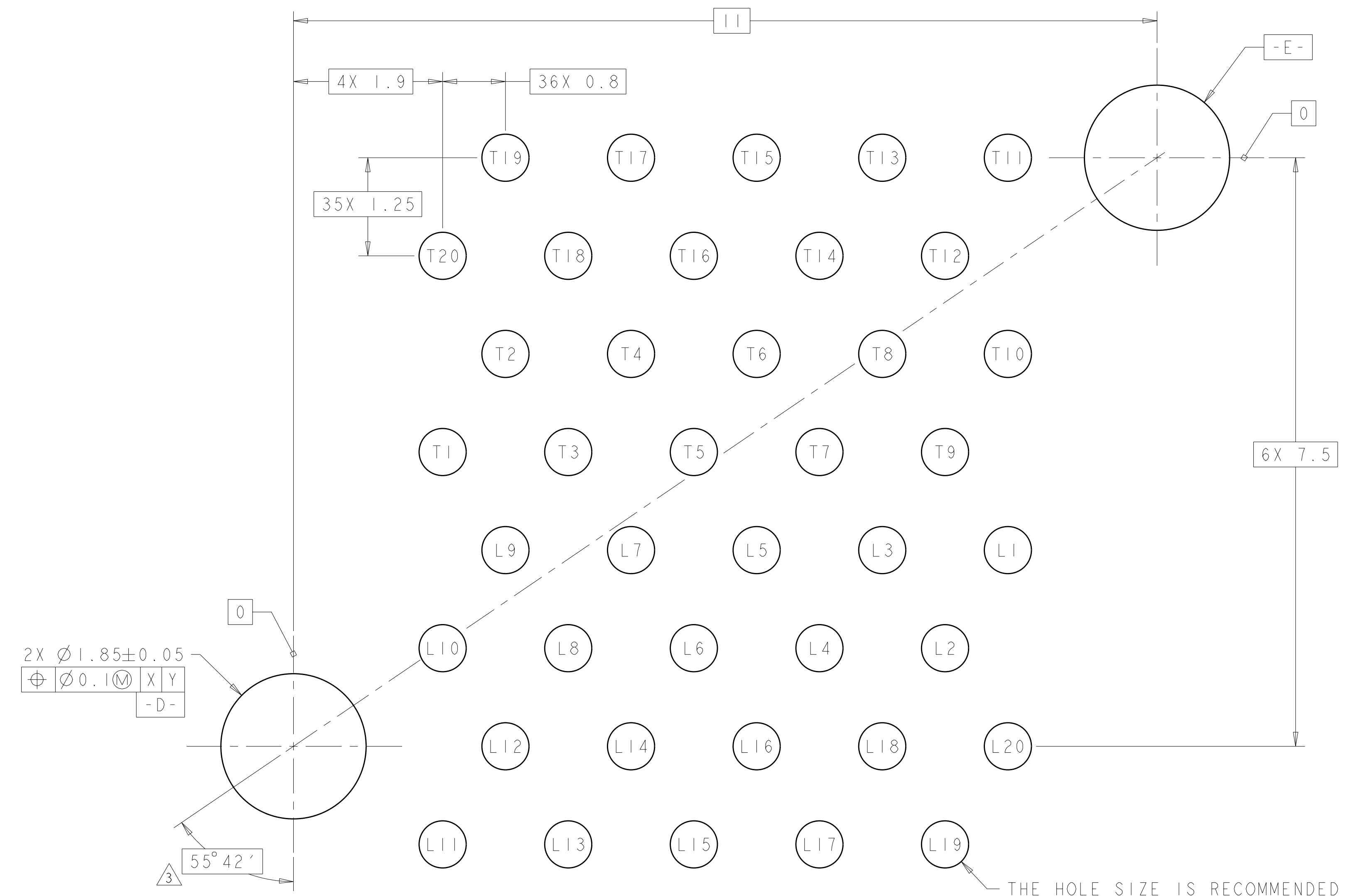


RECOMMENDED PCB CONFIGURATION
 SCALE 5:1

THE HOLE SIZE IS RECOMMENDED ON THE
 PAGE 4 (BOTTOM OF FIGURE 2 FOR CAGE ASSEMBLY)
 OF THE TE DOCUMENT 114-13103
 78 HOLES
 $\pm 0.1 \text{mm}$

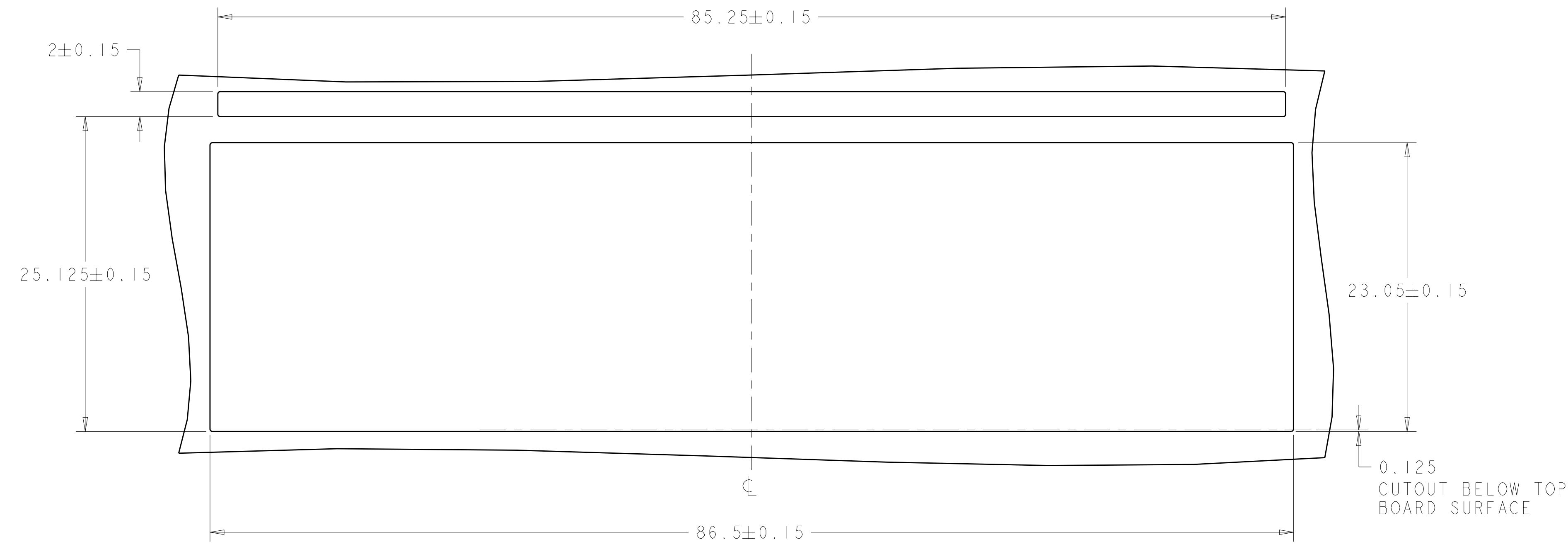
| | | | |
|--|---|---|---|
| <small>THIS DRAWING IS UNPUBLISHED. RELEASED FOR PUBLICATION BY TYCO ELECTRONICS CORPORATION. ALL RIGHTS RESERVED.</small> | | DWN: M.E. COWHERD 17OCT2003 CHK: R.R. HENRY 22OCT2003 APVD: R.R. HENRY 22OCT2003 | Tyco Electronics Shanghai, China |
| DIMENSIONS: mm | TOLERANCES UNLESS OTHERWISE SPECIFIED: 9 PLC ±0.25 1 PLC ±0.25 5 PLC ±0.1 4 PLC ± ANGLES ± | NAME: 2X6 CONNECTOR ASSEMBLY WITH LIGHT PIPE, PRESS FIT, STACKED SFP PRODUCT SPEC: 108-2161 APPLICATION SPEC: 114-13103 WEIGHT: - FINISH: - | SIZE: A CAGE CODE: 00779 DRAWING NO: C=1658895 RESTRICTED TO: - SCALE: 5:1 SHEET 2 OF 3 REV C |
| MATERIAL: - | | CUSTOMER DRAWING | |

| LOC | DIST | REV | DATE | BY | APPD |
|-----------|------|-----|-------------|------|------|
| ES | 00 | | | | |
| REVISIONS | | | DESCRIPTION | DATE | BY |
| | | | SEE SHEET 1 | | |



DETAIL H
RECOMMENDED PT CONNECTOR CONFIGURATION
4X INDIVIDUALLY
SCALE 25:1

THE HOLE SIZE IS RECOMMENDED ON THE
PAGE 4 (TOP OF FIGURE 2 FOR CAGE CONNECTOR)
OF THE TE DOCUMENT 114-13103
Ø 0.08 (M) | D (S) | E (S)
40X6 HOLES



RECOMMENDED BEZEL CUTOUT
SCALE 4:1

| | | | |
|---|--|--|--|
| <small>THIS DRAWING IS UNPUBLISHED. IT IS SUBJECT TO CHANGE WITHOUT NOTICE AND WITHOUT OBLIGATION. SHOULD BE CONTACTED FOR THE LATEST REVISION.</small> | | DWN: M.E. COWHERD 17OCT2003 CHK: R.R. HENRY 22OCT2003 APPD: R.R. HENRY 22OCT2003 | Tyco Electronics Shanghai, China |
| DIMENSIONS: mm | | TOLERANCES UNLESS OTHERWISE SPECIFIED: 9 PLC ±0.25 1 PLC ±0.25 2 PLC ±0.1 3 PLC ± 4 PLC ± ANGLES ± FINISH ± | NAME: 2X6 CONNECTOR ASSEMBLY WITH LIGHT PIPE, PRESS FIT, STACKED SFP PRODUCT SPEC: 108-2161 APPLICATION SPEC: 114-13103 WEIGHT: - CUSTOMER DRAWING |
| MATERIAL: - FINISH: - | | SIZE: A11 CAGE CODE: 00779 DRAWING NO: C=1658895 | RESTRICTED TO: - SCALE: 4:1 SHEET: 3 OF 3 REV: C |