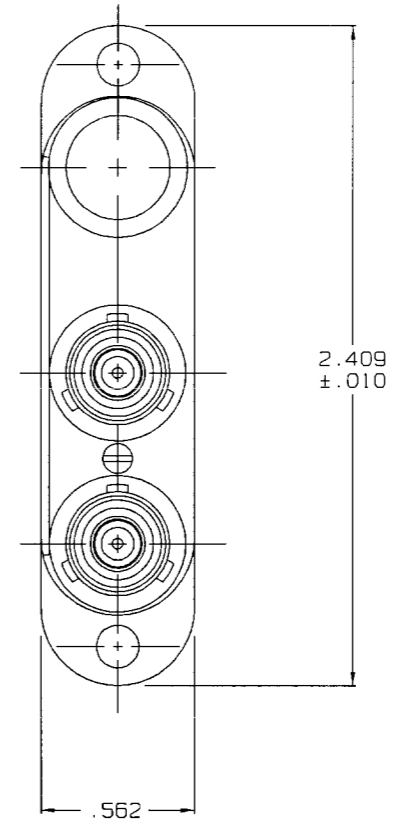
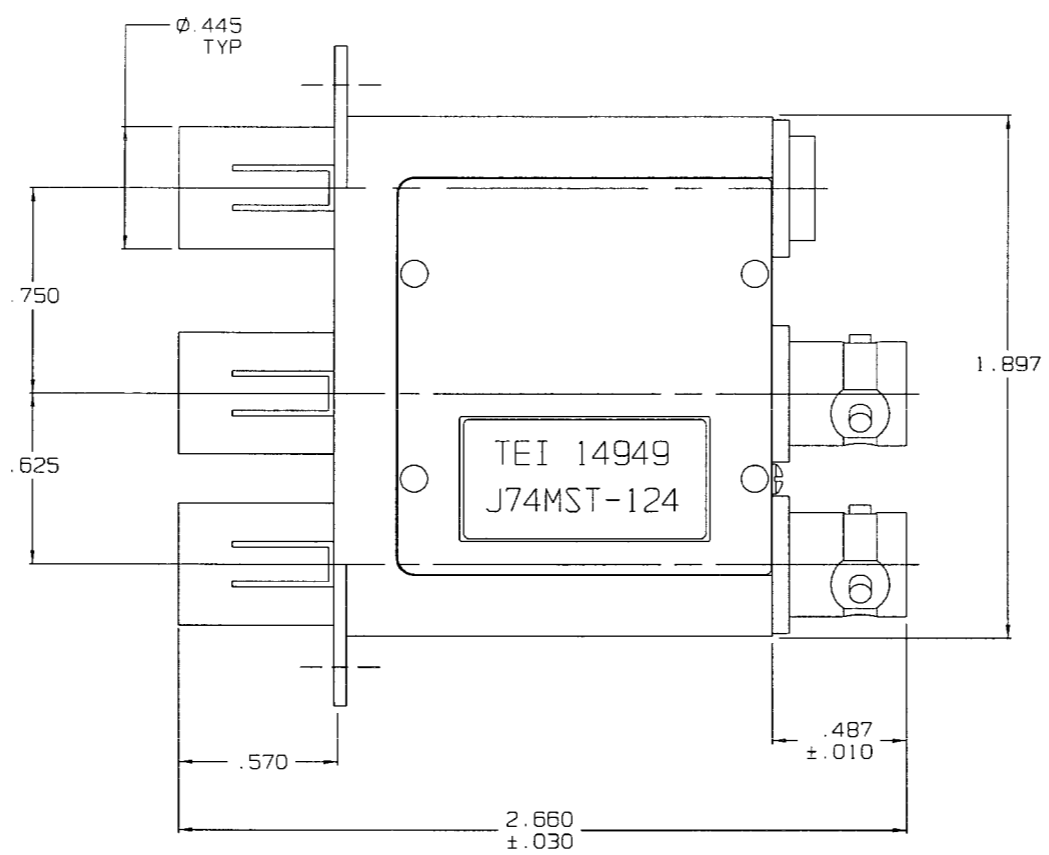
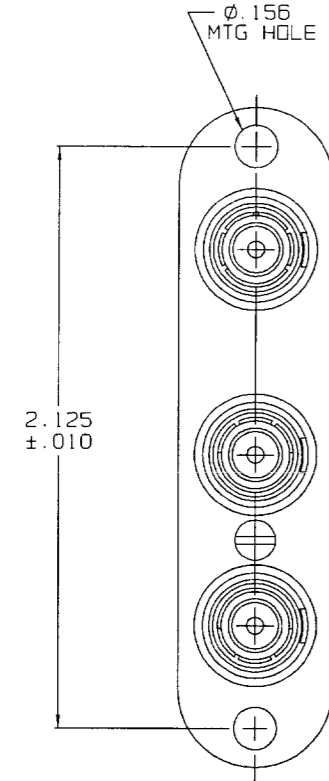


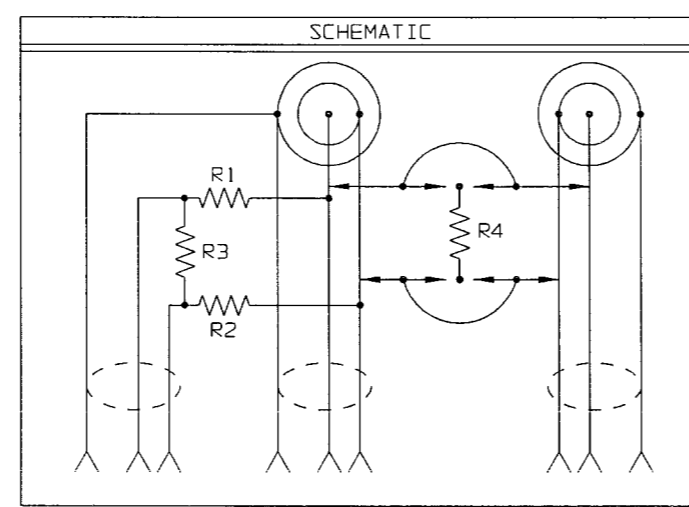
DATA CONTAINED IN THIS DOCUMENT IS PROPRIETARY TO TROMPETER ELECTRONICS INC. AND SHALL NOT BE DISCLOSED, COPIED OR USED FOR PROCUREMENT OR MANUFACTURE WITHOUT EXPRESS WRITTEN PERMISSION OF TROMPETER ELECTRONICS INC.

REVISIONS		305-0805	SH 1
REV	DESCRIPTION	DATE	APPROVED
G	REVISED PER ECD 15035	4-24-03	WM



J74MST-124 SHOWN

RED INDICATES ORIGINAL



3. EXAMPLE OF COMPLETE MODEL NO:
J74MST-124
 BASIC NO. ——— TERM. RESISTANCE IN OHMS (1/2W, 1%)
 ——— SELF TERMINATING
 ——— MONITOR SEPARATE
2. DUAL TWINAX/TRIAX SELF NORMALLING, SELF TERMINATING PATCH JACK WITH SEPARATE 20 dB ISOLATED MONITOR JACK AND TRB INPUT RECEPTACLES
1. FINISH: TFS-1A (NICKEL)

INTERPRET DRAWING PER MIL-STD-100 DIMENSIONS ARE IN INCHES AND INCLUDE FINISH THICKNESS UNLESS OTHERWISE SPECIFIED		TOL: UNLESS SPECIFIED .XX .XXX ± .005 .XXXX		
DRAWN AAH	DATE 4-22-03	ANGLES	MATERIAL:	
CHECKED [Signature]	DATE 4-22-03	FINISH:	TITLE: J74MST-R	SIZE B
QUALIFIED [Signature]	DATE 4/24/03	SCALE NONE	DRAWING NO. 305-0805	REV. G
APPROVED [Signature]	DATE 4/23/03	DO NOT SCALE DWG	DATE: 4-1-92	SHEET 1C
NEXT ASSY 305-0805G				