

4

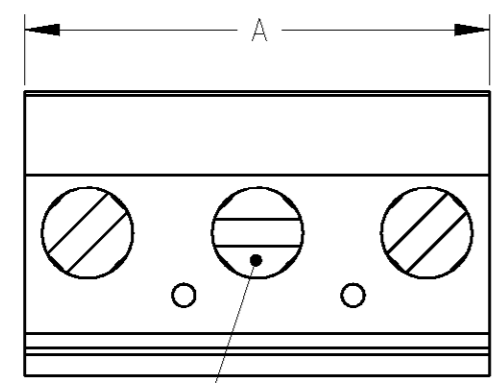
3

2

1

THIS DRAWING IS UNPUBLISHED. RELEASED FOR PUBLICATION 20  
 © COPYRIGHT 20 BY TYCO ELECTRONICS CORPORATION. ALL RIGHTS RESERVED.

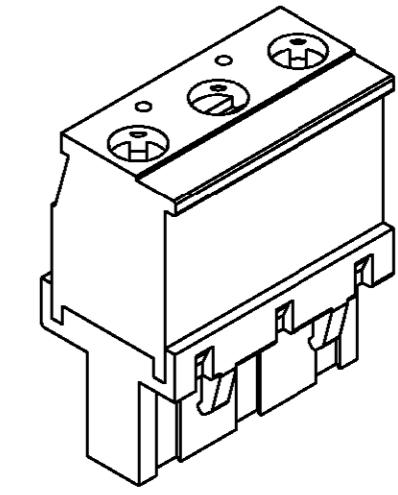
LOC	DIST	REVISIONS			
P	LTR	DESCRIPTION	DATE	DWN	APVD
	B	REVISED PER 0G3B-0119-01	03JAN2002	EZ	DB
	C	REVISED EC 0G3B-0199-02	04JUN2003	SW	CR



1 MATERIALS AND FINISH  
 HOUSING: PA 6-6, UL 94-V0, COLOR: SEE TABLE.  
 CLAMP: BRASS, NICKEL PLATED.  
 DOUBLE SIDE CONTACT SPRING : PHOSPHOR BRONZE, TIN PLATED.  
 CLAMPING SCREW: M3, BRASS, NICKEL PLATED.

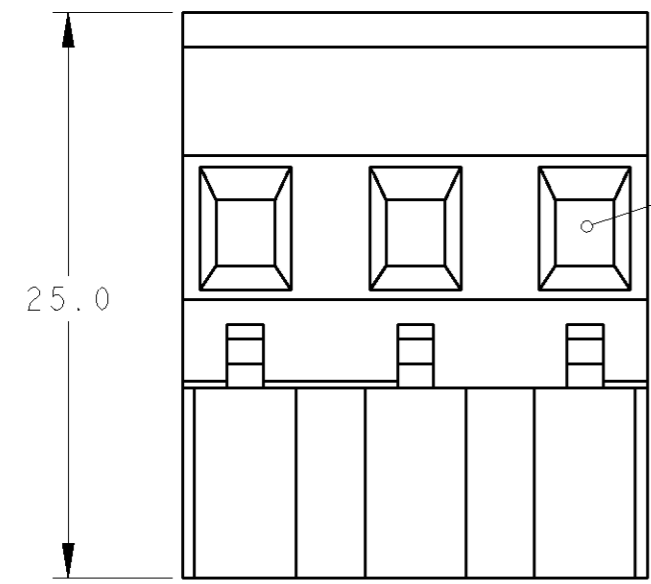
2 WIRE SIZE RANGE:  
 12 - 30 AWG

3 NOT CUMULATIVE TOLERANCE.

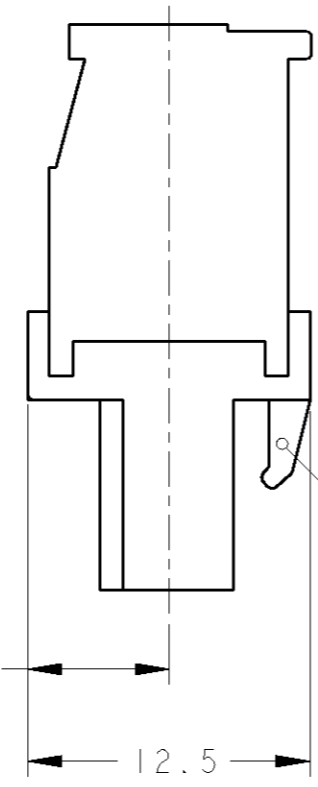


284043-3 AS SHOWN  
 SCALE 2:1

CLAMPING SCREW



WIRE ENTRY

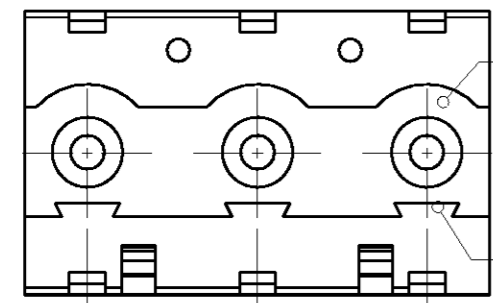


RETENTION LATCH

6.25 REF

12.5

GRAY	13.24	2	2-284043-2
GREEN	89.44	12	1-284043-2
GREEN	81.82	11	1-284043-1
GREEN	74.20	10	1-284043-0
GREEN	66.58	9	284043-9
GREEN	58.96	8	284043-8
GREEN	51.34	7	284043-7
GREEN	43.72	6	284043-6
GREEN	36.10	5	284043-5
GREEN	28.48	4	284043-4
GREEN	20.86	3	284043-3
GREEN	13.24	2	284043-2
MATERIAL COLOR	A	NO OF POSN	PART NUMBER



MATING FACE

POLARIZATION KEY SLOT

2.81 REF

2.81 REF

7.62±0.08 3

THIS DRAWING IS A CONTROLLED DOCUMENT FOR TYCO ELECTRONICS CORPORATION  
 IT IS SUBJECT TO CHANGE AND THE CONTROLLING ENGINEERING ORGANIZATION  
 SHOULD BE CONTACTED FOR THE LATEST REVISION.

DIMENSIONS: mm	TOLERANCES UNLESS OTHERWISE SPECIFIED: 0 PLC ±- 1 PLC ±.3 2 PLC ±.25 3 PLC ±- 4 PLC ±- ANGLES ±2	DWN 03JAN2002 E. ZANOLINI CHK 03JAN2002 E. ZANOLINI APVD 03JAN2002 D. BIEVENOUR	<b>BUCHANAN</b> Tyco Electronics Harrisburg, PA 17105-3608
MATERIAL 1	FINISH 1	PRODUCT SPEC - APPLICATION SPEC - WEIGHT -	NAME TERMINAL BLOCK VERTICAL PLUG STACKING, LEFT HAND 7.62mm PITCH
CUSTOMER DRAWING		SIZE A3 CAGE CODE 00779 DRAWING NO C=284043	RESTRICTED TO -
		SCALE 3:1	SHEET 1 OF 1 REV C