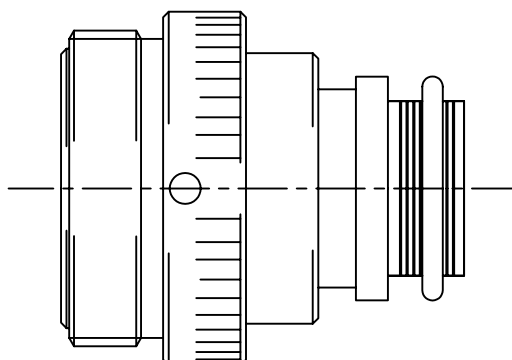


REVISIONS			
LTR	DESCRIPTION	DATE	APPROVED
A	INITIAL RELEASE PER DCR R040732	9/23/04	MPIOZET

If this document is printed it becomes uncontrolled.
Check for the latest revision.



CODE 24 TINEL-LOCK ADAPTER



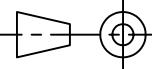
NOTES:

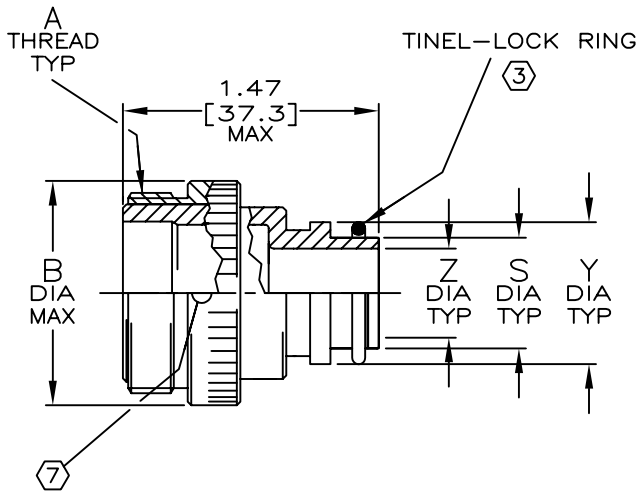
1. THIS PRODUCT IS DESIGNED TO TERMINATE A BRAIDED CABLE SHIELD AND A HEAT SHRINKABLE LIPPED BOOT TO A CONNECTOR.
2. SEE CH00-0250-008 FOR ORDERING INFORMATION, MODIFICATIONS AND ADDITIONAL DIMENSIONS.
- ③ SEE DRAWING TR FOR DETAIL ON TINEL-LOCK RING. RINGS ARE DESIGNED TO BE HEATED ELECTRICALLY. ALL RINGS ARE MARKED WITH THERMOCHROMIC PAINT WHICH CHANGES COLOUR WHEN INSTALLATION TEMPERATURE IS REACHED.
4. ADAPTER TO BE PERMANENTLY MARKED WITH CODE IDENTIFICATION NUMBER AND PART NUMBER LESS RING DESIGNATOR. (e.g. 06090-TXR24AB00-2012). RING SHALL BEAR NO MARKING.
- ⑤ FOR LARGER ENTRY SIZES, A 2 PIECE ADAPTER (TYPE II) IS SUPPLIED.
- ⑥ ADAPTER MATES TO: MIL-C-26482 SERIES I, MS3114 AND MS3124 RECEPTACLE CONNECTORS.
- ⑦ ANTI-ROTATIONAL SET SCREW, THREE THREADED HOLES 120° ±5° APART, SINGLE MATING SET SCREW SUPPLIED: AN565DC4H2, NOT REQUIRED FOR TYPE II ADAPTERS.

TINEL-LOCK is a trademark of Tyco Electronics.

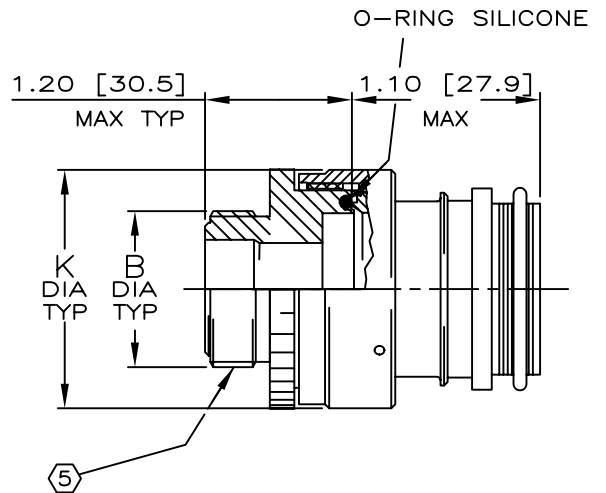
©2004 Tyco Electronics Corporation. All rights reserved.

SPECIFICATION CONTROL DRAWING

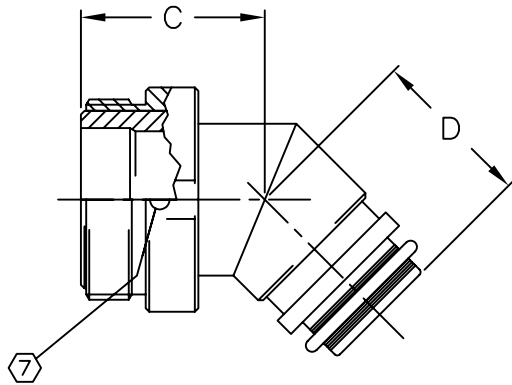
UNLESS OTHERWISE SPECIFIED DIMENSIONS ARE IN INCHES. METRIC DIMENSIONS ARE IN BRACKETS. DECIMALS .X ± --- [mm] .XX ± --- [mm] .XXX ± --- [mm] ANGLES .X ± ---	DRAWN IRT DATE MAY 98	 Tyco Electronics Corporation 300 Constitution Drive Menlo Park, CA. USA 94025		TITLE		
	CHECKED KJW DATE MAY 98			TINEL-LOCK ADAPTER		
	APPROVED KJW DATE MAY 98	CAD NAME R040732.dwg	SIZE A	CODE IDENT. NO. 06090	DWG. NO. TXR24	REV A
	APPROVED KJW DATE MAY 98	THIRD ANGLE PROJECTION 	DO NOT SCALE THIS DWG		SHEET 1 OF 3	



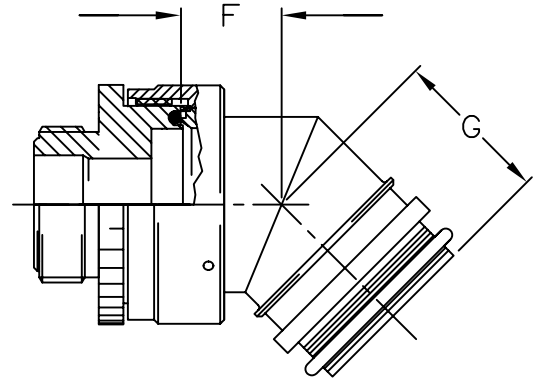
STRAIGHT ADAPTER - TYPE I



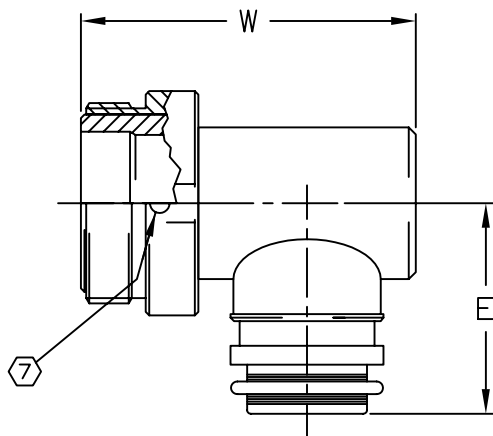
STRAIGHT ADAPTER - TYPE II



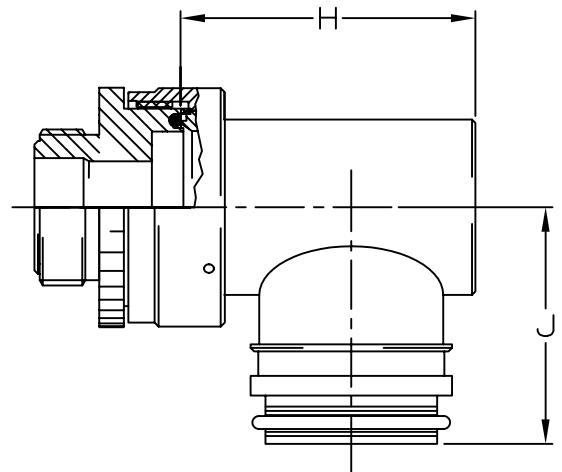
45° ADAPTER - TYPE I



45° ADAPTER - TYPE II



90° ADAPTER - TYPE I



90° ADAPTER - TYPE II

If this document is printed it becomes uncontrolled.
Check for the latest revision.

SIZE	CODE IDENT. NO.	DWG. NO.	REV
A	06090	TXR24	A
DO NOT SCALE THIS DWG		SHEET 2 OF 3	

TABLE I							
ORDER NO.	SHELL SIZE ⑥	MAX ENTRY SIZE TYPE I ⑤	A UNIFIED THREAD CLASS 2B	B DIA MAX	C MAX	D MAX	E MAX
08	08	04	0.6250"-24 UNEF	.78 [19.8]	.94 [23.9]	.87 [22.1]	1.07 [27.2]
10	10	06	0.7500"-20 UNEF	.91 [23.1]	.96 [24.4]	.90 [22.9]	1.13 [28.7]
12	12	08	0.8750"-20 UNEF	1.03 [26.2]	.98 [24.9]	.92 [23.4]	1.20 [30.5]
14	14	10	1.0000"-20 UNEF	1.16 [29.5]	1.02 [25.9]	.95 [24.1]	1.26 [32.0]
16	16	12	1.1250"-18 UNEF	1.28 [32.5]	1.04 [26.4]	.97 [24.6]	1.32 [33.5]
18	18	14	1.2500"-18 UNEF	1.41 [35.8]	1.06 [26.9]	1.00 [25.4]	1.38 [35.1]
20	20	14	1.3750"-18 UNEF	1.53 [38.9]	1.14 [29.0]	1.02 [25.9]	1.42 [36.1]
22	22	18	1.5000"-18 UNEF	1.66 [42.2]	1.16 [29.5]	1.05 [26.7]	1.51 [38.4]
24	24	18	1.6250"-18 UNEF	1.78 [45.2]	1.20 [30.5]	1.07 [27.2]	1.57 [39.9]

TABLE II									
ENTRY SIZE	Z DIA +.010 -.020 [+0.25] [-0.50]	S DIAMETER	Y DIA #.015 [#0.38]	W MAX	F MAX	G MAX	H MAX	J MAX	K MAX
04	.250 [6.35]	.376 [9.56] .370 [9.39]	.550 [13.97]	1.71 [43.5]	N/A	N/A	N/A	N/A	N/A
05	.312 [7.92]	.438 [11.13] .432 [10.97]	.612 [15.54]	1.75 [44.5]	.77 [19.6]	.93 [23.6]	1.19 [30.2]	1.16 [29.5]	.80 [20.3]
06	.375 [9.52]	.501 [12.73] .495 [12.57]	.675 [17.14]	1.81 [46.0]	.77 [19.6]	.93 [23.6]	1.19 [30.2]	1.16 [29.5]	.80 [20.3]
07	.437 [11.09]	.563 [14.31] .556 [14.12]	.737 [18.71]	1.87 [47.5]	.80 [20.3]	.95 [24.1]	1.38 [35.1]	1.22 [31.0]	.92 [23.4]
08	.500 [12.70]	.626 [15.91] .619 [15.72]	.800 [20.32]	1.95 [49.5]	.80 [20.3]	.95 [24.1]	1.38 [35.1]	1.22 [31.0]	.92 [23.4]
10	.625 [15.87]	.752 [19.11] .742 [18.84]	.925 [23.49]	2.07 [52.5]	.84 [21.3]	1.00 [25.4]	1.51 [38.4]	1.35 [34.3]	1.18 [30.0]
12	.750 [19.05]	.877 [22.28] .867 [22.02]	1.050 [26.67]	2.19 [55.5]	.86 [21.8]	1.01 [25.7]	1.63 [41.4]	1.40 [35.6]	1.35 [34.3]
14	.875 [22.23]	1.002 [25.46] .991 [25.17]	1.175 [29.84]	2.32 [59.0]	.88 [22.4]	1.04 [26.4]	1.78 [45.2]	1.46 [37.1]	1.41 [35.8]
16	1.000 [25.40]	1.127 [28.63] 1.116 [28.34]	1.300 [33.02]	2.44 [62.0]	.91 [23.1]	1.06 [26.9]	1.88 [47.8]	1.53 [38.9]	1.60 [40.6]
18	1.125 [28.57]	1.252 [31.81] 1.241 [31.52]	1.425 [36.19]	2.56 [65.0]	.93 [23.6]	1.09 [27.7]	2.01 [51.1]	1.59 [40.4]	1.66 [42.2]
20	1.250 [31.75]	1.377 [34.98] 1.366 [34.69]	1.550 [39.37]	N/A	.98 [24.9]	1.13 [28.7]	2.13 [54.1]	1.78 [45.2]	2.04 [51.8]
22	1.375 [34.93]	1.502 [38.15] 1.488 [37.79]	1.675 [42.55]	N/A	1.03 [26.2]	1.38 [35.1]	2.29 [58.2]	1.85 [47.0]	2.23 [56.6]
24	1.500 [38.10]	1.627 [41.33] 1.613 [40.97]	1.800 [45.72]	N/A	1.08 [27.4]	1.44 [36.6]	2.42 [61.5]	1.92 [48.8]	2.23 [56.6]

If this document is printed it becomes uncontrolled.
Check for the latest revision.

SIZE	CODE IDENT. NO.	DWG. NO.	REV
A	06090	TXR24	A
DO NOT SCALE THIS DWG			SHEET 3 OF 3