

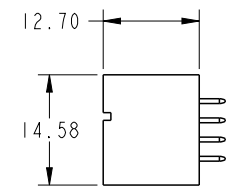
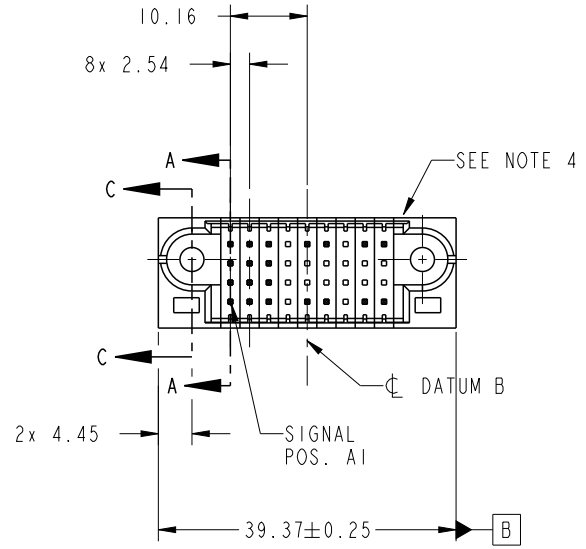
1

2

3

4

PRODUCT NO. 51952-252-- NOTE ③	ROWS D C B A	SIGNAL										
		E1	1	2	3	4	5	6	7	8	9	E2
		E	E	X	E	X	E	X	E	X	E	E
		E	E	X	X	X	X	X	X	X	X	E
		E	E	X	X	X	X	X	X	X	X	E
		E	E	X	E	X	E	X	E	X	E	E



CODE	DIM "M" MATING LENGTH	CONTACT TYPE
E	[6.86]	SIGNAL
X	OMITTED	



Copyright FCI.

spec ref		See Notes		dr	Jackie Huang	2013/07/29	projection 	MM 	size	A4	scale	1:1	
tolerance std		TOLERANCES UNLESS OTHERWISE SPECIFIED		eng	Jackie Huang	2013/07/31			ecn no	-			
See Notes				chr	-	-			rel level	Released			
surface	✓	linear	0.X	±0.50	www.fci.com	title	36S	dwg no	51952-252	rev	Product - Customer Drw		sheet 1 of 4
			0.XX	±0.25									
			0.XXX	±0.10									
		angular	0°	±2°	cat. no.	&model_name							

PrdE File - REV C - 2009-06-09

2

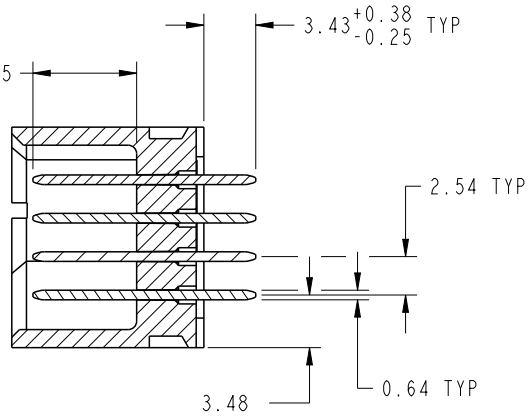
3

4

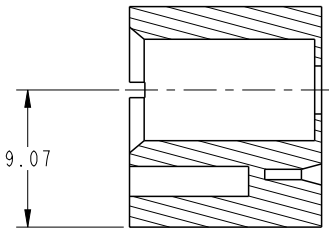
PRODUCT NUMBER

51952-252--
NOTE 3

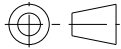
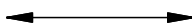

DIM "M" ±0.25



SECTION A-A
SCALE 2:1

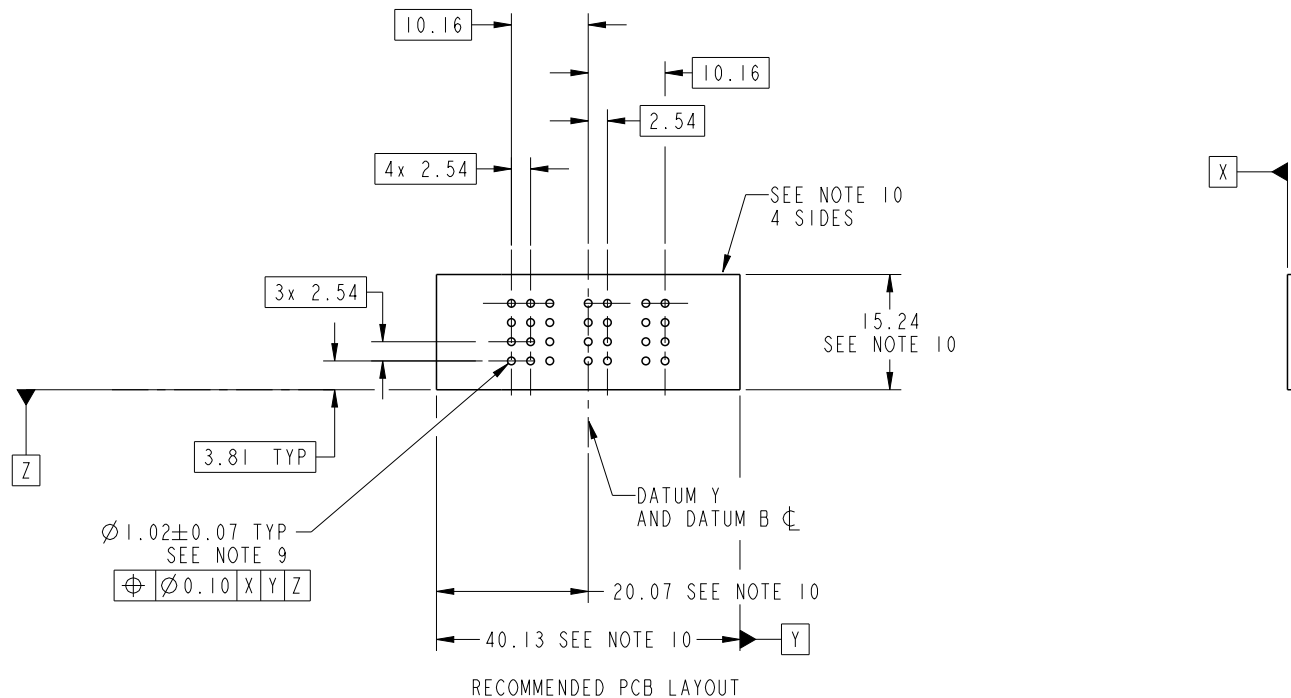


SECTION C-C
SCALE 2:1

dr	Jackie Huang	2013/07/29	projection 	MM 	size	A4	scale	1:1		
eng	Jackie Huang	2013/07/31			ecn no	-				
chr	-	-			product family	PwrBlade	rel level	Released		
appr	Pei-Ming Zheng	2013/07/31			title	36S VERTICAL STB HEADER	dwg no	51952-252	rev	A
www.fci.com		cat. no.	&model_name	Product - Customer Drw		sheet 2 of 4				

PRODUCT NUMBER

51952-252--
NOTE 3



dr	Jackie Huang	2013/07/29	projection 	MM 	size	A4	scale	1:1
eng	Jackie Huang	2013/07/31			ecn no	-		
chr	-	-			product family	PwrBlade	rel level	Released
appr	Pei-Ming Zheng	2013/07/31			title 36S VERTICAL STB HEADER	dwg no 51952-252	rev A	
www.fci.com		cat. no.	&model_name	Product - Customer Drw		sheet 3 of 4		

PRODUCT NUMBER

51952-252__
NOTE 3

NOTES:

1. DIMENSIONS AND TOLERANCES ARE IN ACCORDANCE WITH ASME Y14.5M, 1994 UNLESS OTHERWISE SPECIFIED.

CONNECTOR NOTES:

- ② HOUSING MATERIAL: UL 94 V-0 GLASS FILLED HIGH-TEMP THERMOPLASTIC
POWER CONTACT MATERIAL: COPPER ALLOY
SIGNAL PIN MATERIAL: COPPER ALLOY
- 3. SEE ITEM 1 & 2 IN PRINT 10064183 FOR PLATING SPEC OF 51952-252 AND 51952-252LF RESPECTIVELY.

④ MANUFACTURER'S NAME, DATE CODE AND OPTIONAL P/N TO APPEAR ON THIS SURFACE. THE MARK CAN BE OMITTED IF THERE IS NOT ENOUGH SPACE ON THIS SURFACE.

5. PRODUCT SPECIFICATION GS-12-149.
APPLICATION SPECIFICATION BUS-20-067.

6. PACKAGED IN TRAYS.

PCB NOTES:

- 7. ALL HOLE DIAMETERS ARE FINISHED HOLE SIZE.
- 8. MOUNTING HOLES, WHERE APPLICABLE, ARE UNPLATED.

⑨ $\varnothing 1.151 \pm 0.025$ DRILLED HOLES PLATED WITH 0.008 MIN SnPb OR Sn OVER .001 [0.03] TO 0.08 Cu PLATING TO ACHIEVE $\varnothing 1.02 \pm 0.07$ HOLE.

⑩ CONNECTOR KEEP-OUT ZONE.

dr	Jackie Huang	2013/07/29	projection 	MM 	size	A4	scale	1:1	
eng	Jackie Huang	2013/07/31			ecn no	-			
chr	-	-							
appr	Pei-Ming Zheng	2013/07/31	product family	PwrBlade	rel level	Released			
		title	36S VERTICAL STB HEADER		dwg no	51952-252		rev	A
www.fci.com		cat. no.	&model_name	Product - Customer Drw		sheet 4 of 4			



Copyright FCI.