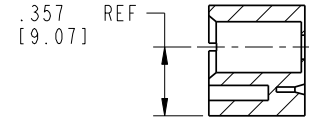


Tous droits strictement réservés. Reproduction ou communication o des liers interdite sous quelque forme que ce soit sans autorisation écrite du propriétaire. Propriété de c FCI. Droits de reproduction FCI.

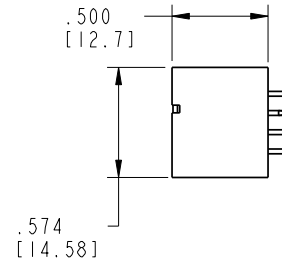
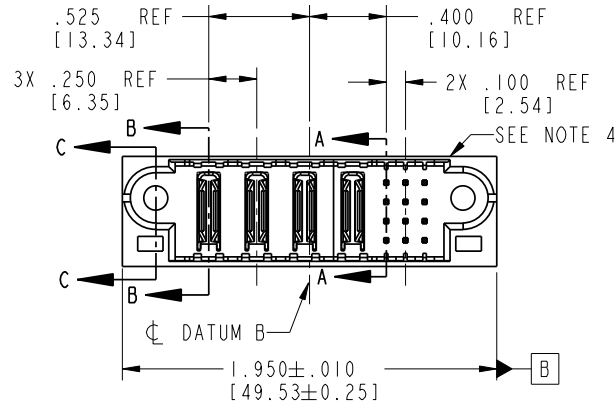
All rights strictly reserved. Reproduction or issue to third parties in any form whatever is not permitted without written authority from the proprietor. Property of FCI. Copyright FCI.

FCI

PRODUCT NO. 51712-002-- NOTE: 3	ROWS DCBA	POWER				SIGNAL			E2
		E1	P1	P2	P3	P4	1	2	



SECTION C-C



CODE	DIM "M" MATING LENGTH	CONTACT TYPE
E	.270 [6.86]	SIGNAL
PA	N/A [N/A]	POWER
H	.220 [5.59]	SIGNAL

mat'l code				SEE NOTE 2		tolerances unless otherwise specified		CUSTOMER		 www.fciconnect.com	
lir	ecn no.	dr	date	linear	.XX±.01/0.XX±0.3		COPY		 INCH/MM	title	
A	V20184	DA1	01/28/02		.XXX±.005/0.XX±0.13		projection			VERTICAL HEADER w/GUIDE PIN	
B	V21104	TAB	09/30/02		.XXX±.002/0.XXX±0.051		 INCH/MM			POWER SIGNAL SPECIAL	
C	D605-0389	GuoJM	10/13/05	angles	0°±2°		scale		product family		
				dr	D. INGRAM	01/28/02	1:1		PwrBlade		
				enr	M. MOSTOLLER	01/28/02	A		code		
				chr	M. MOSTOLLER	01/28/02	size		213		
				appd	M. MOSTOLLER	01/28/02	dwg no		sheet		
sheet index	revision sheet	C	C	C	C	C	A		1 of 4		
		1	2	3	4		51712-002				

Pro/E

PDM: Rev: C

STAT **US: Released**

Printed: Dec 20, 2010

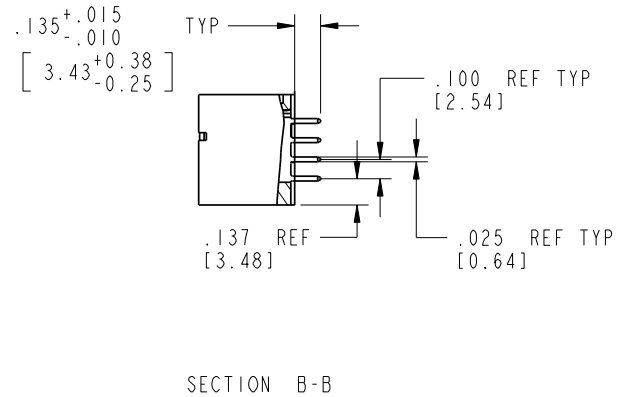
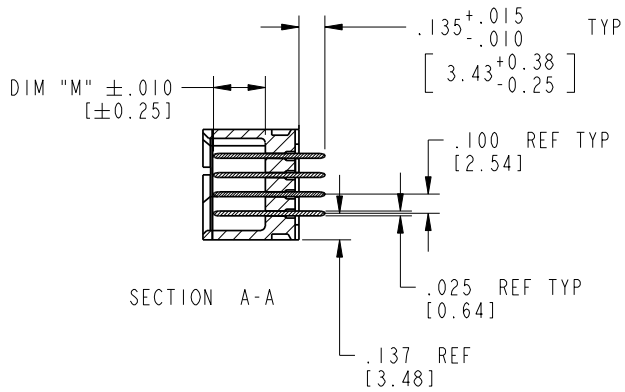
Tous droits strictement réservés. Reproduction ou communication o des liers interdite sous quelque forme que ce soit sans autorisation écrite du propriétaire. Propriete de c FCI. Droits de reproduction FCI.

All rights strictly reserved. Reproduction or issue to third parties in any form whatever is not permitted without written authority from the proprietor. Property of FCI. Copyright FCI.



PRODUCT NUMBER

51712-002--
NOTE: 3



mat'l code		SEE NOTE 2		tolerances unless otherwise specified		CUSTOMER		 www.fciconnect.com	
lir	ecn no.	dr	date	linear	.XX±.01/0.X±0.3	COPY		title	
c					.XXY±.005/0.XX±0.13	projection		VERTICAL HEADER w/GUIDE PIN	
				angles	.XXX±.0020/0.XXX±0.051			POWER SIGNAL SPECIAL	
				dr	D. INGRAM 01/28/02	INCH/MM		product family	
				enr	M. MOSTOLLER 01/28/02	scale		PwrBlade	
				chr	M. MOSTOLLER 01/28/02	1:1		code	
				appd	M. MOSTOLLER 01/28/02	A		213	
sheet index		revision sheet				size		sheet	
						A		2	
						51712-002			

code code 22556

A

A

B

B

1 | 2

3 |

4

1 | 2

Pro/E

PDM: Rev: C

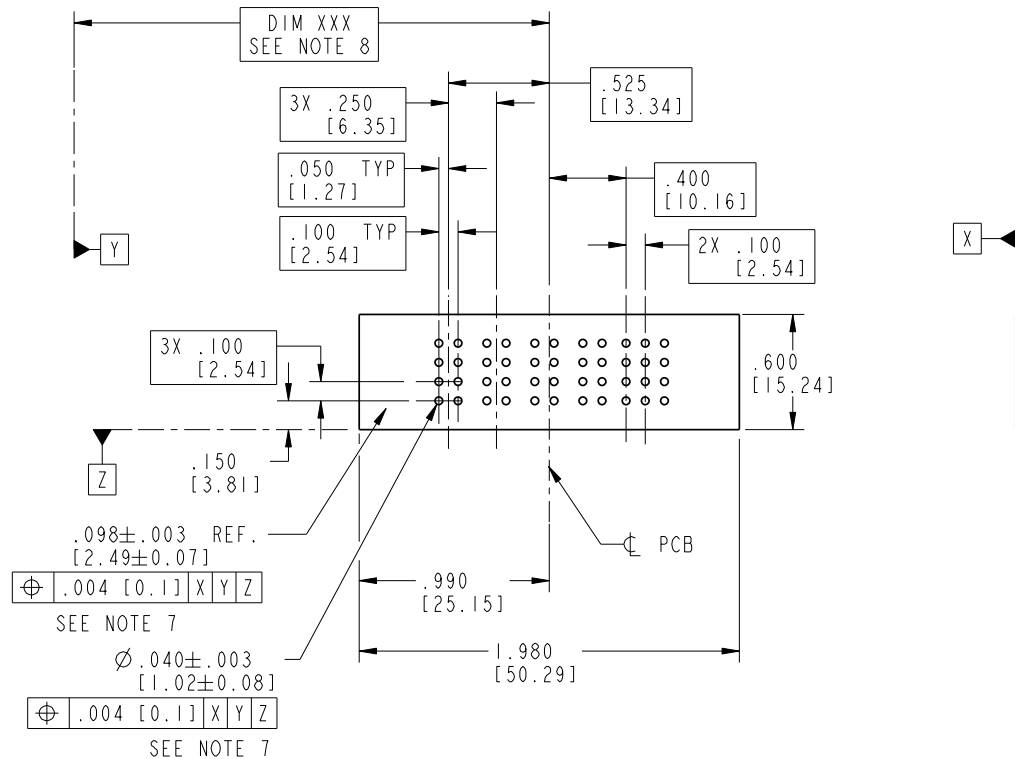
4

Tous droits strictement réservés. Reproduction ou communication o des liers interdite sous quelque forme que ce soit sans autorisation écrite du propriétaire. Propriete de c FCI. Droits de reproduction FCI.

FCI

All rights strictly reserved. Reproduction or issue to third parties in any form whatever is not permitted without written authority from the proprietor. Property of FCI. Copyright FCI.

PRODUCT NUMBER
51712-002--
NOTE: 3



mat'l code				SEE NOTE 2		tolerances unless otherwise specified		CUSTOMER		 www.fciconnect.com	
lir	ecn no.	dr	date	linear	.XX±.01/0.X±0.3		COPY		projection	title	
c					.XXX±.005/0.XX±0.13		INCH/MM			VERTICAL HEADER w/GUIDE PIN POWER SIGNAL SPECIAL	
				angles	.XXX±.0020/0.XXX±0.051		scale		product family		
				dr	0°±2°		1:1		PwrBlade		
				enr	D. INGRAM	01/28/02			code		
				chr	M. MOSTOLLER	01/28/02			213		
				appd	M. MOSTOLLER	01/28/02			sheet		
sheet index		revision sheet						A		3	

PRODUCT NUMBER

51712-002__
NOTE: 3

NOTES:

1. DIMENSIONS AND TOLERANCES ARE IN ACCORDANCE WITH ASME Y14.5M, 1994 UNLESS OTHERWISE SPECIFIED.

CONNECTORS NOTES:

2. HOUSING MATERIAL: UL 94 V-0 GLASS FILLED HIGH TEMP THERMO PLASTIC
POWER CONTACT MATERIAL: COPPER ALLOY
SIGNAL PIN MATERIAL: COPPER ALLOY

3. PLATING:

51712-002 Singal Pin:30u"/0.76um Au OVER 50u"/1.27um Ni ON THE CONTACT AREA,
AND 100u"/2.54um SnPb PLATING OVER 50u"/1.27um Ni ON THE TERMINATION SECTION.
Power Pin:30u"/0.76um Au OVER 50u"/1.27um Ni ON THE CONTACT AREA,
AND 100u"/2.54um SnPb PLATING OVER 50u"/1.27um Ni ON THE TERMINATION SECTION.

51712-002LF Singal Pin:30u"/0.76um Au OVER 50u"/1.27um Ni ON THE CONTACT AREA,
AND 78u"/2.00um Sn PLATING OVER 50u"/1.27um Ni ON THE TERMINATION SECTION.
Power Pin:30u"/0.76um Au OVER 50u"/1.27um Ni ON THE CONTACT AREA,
AND 78u"/2.00um Sn PLATING OVER 50u"/1.27um Ni ON THE TERMINATION SECTION.

PART NUMBER 51712-002LF MEETS EUROPEAN UNION DIRECTIVE AND OTHER COUNTRY REGULATIONS AS DESCRIBED IN GS-22-008.

THE HOUSING WILL WITHSTAND EXPOSURE TO 260° PEAK TEMPERATURE FOR 10 SECONDS IN A WAVE SOLDER APPLICATION WITH A CIRCUIT BOARD.

4. "MANUFACTURER" NAME, P/N, AND DATE CODE TO APPEAR ON THIS SURFACE.


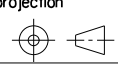
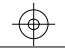
5. PRODUCT SPECIFICATION GS-12-149.

PCB - NOTES:

6. ALL HOLE DIAMETERS ARE FINISHED HOLE SIZE.

7. Ø.0453±0.0010 [1.151±0.025] DRILLED HOLES PLATED WITH 0.0003 [0.008] MIN SnPb OVER .001 [0.03] TO .003 [0.08] Cu PLATING TO ACHIEVE Ø.040±.003 [1.02±.07] HOLE.

8. "DIM XXX" TO BE DETERMINED BY THE CUSTOMER.

mat'l code				SEE NOTE 2		tolerances unless otherwise specified		CUSTOMER		 www.fciconnect.com	
lir	ecn no.	dr	date	linear	.XX±.01/0.X±0.3		COPY		 INCH/MM	title	
C					.XXY±.005/0.XX±0.13		projection			VERTICAL HEADER w/GUIDE PIN POWER SIGNAL SPECIAL	
					.XXX±.0020/0.XXX±0.051		 scale			product family	
				angles	0°±2°		1:1		PwrBlade		code
				dr	D. INGRAM 01/28/02				size		213
				engr	M. MOSTOLLER 01/28/02				dwg no		sheet
				chr	M. MOSTOLLER 01/28/02				A 51712-002		4
				appd	M. MOSTOLLER 01/28/02						
sheet index	revision sheet										

Tous droits strictement reserves. Reproduction ou communication a des tiers interdite sous quelque forme que ce soit sans autorisation ecrite du proprietaire. Propriete de c FCI. Droits de reproduction FCI.

FCI

All rights strictly reserved. Reproduction or issue to third parties in any form whatever is not permitted without written authority from the proprietor. Property of FCI. Copyright FCI.

A

B

A

B