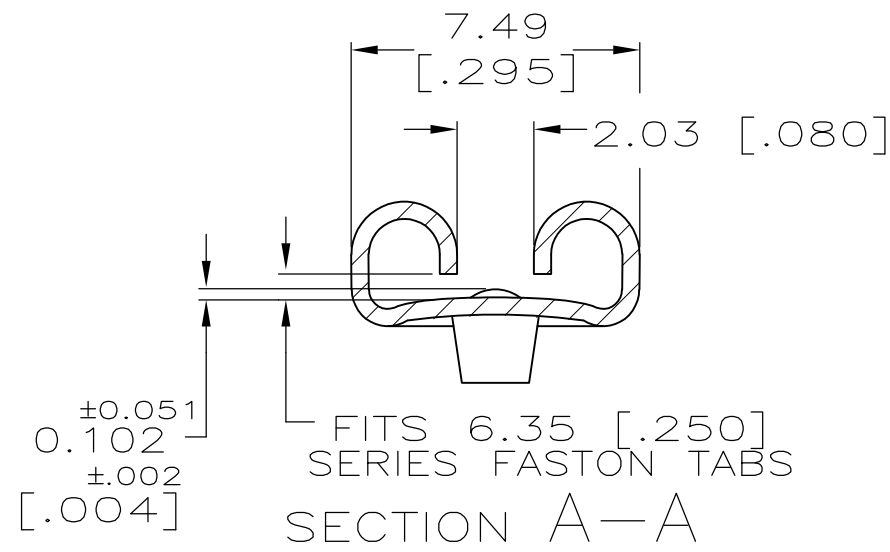
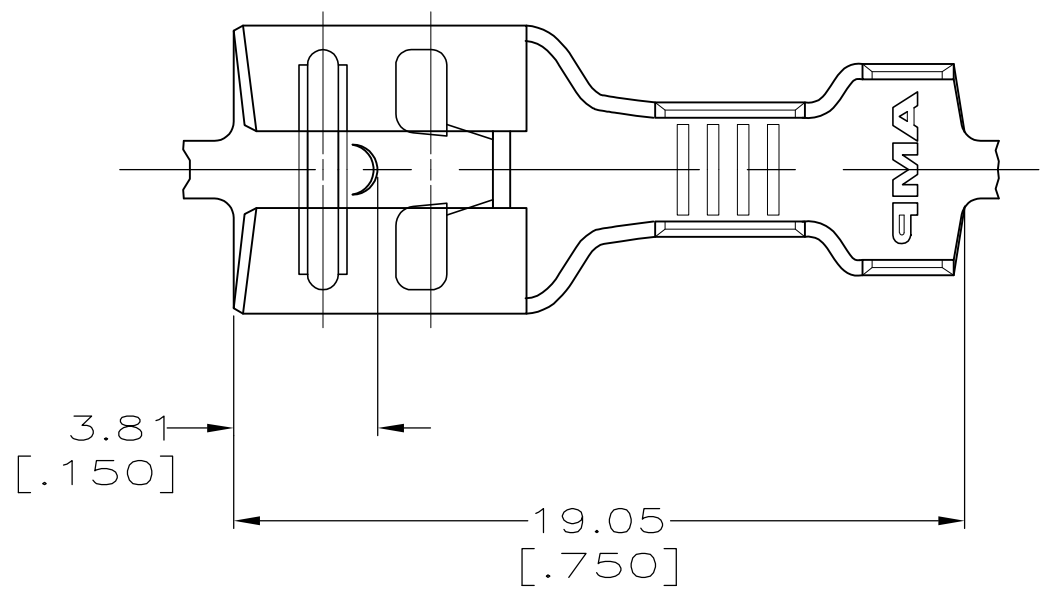
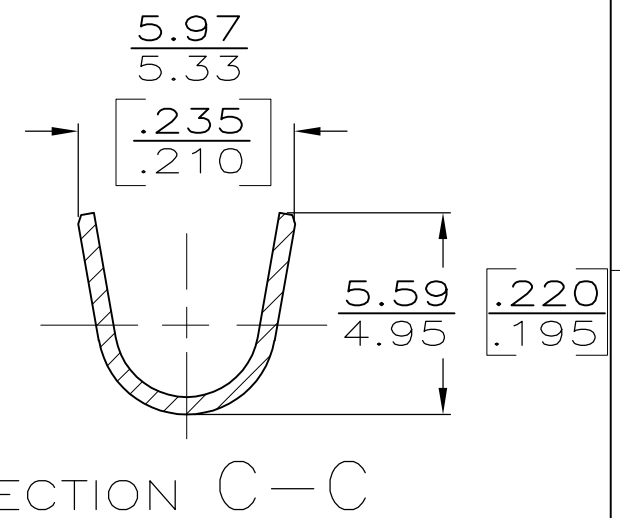
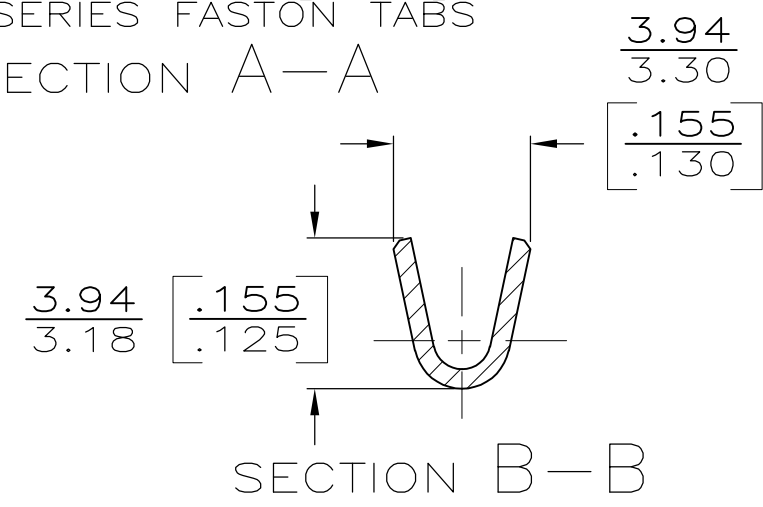
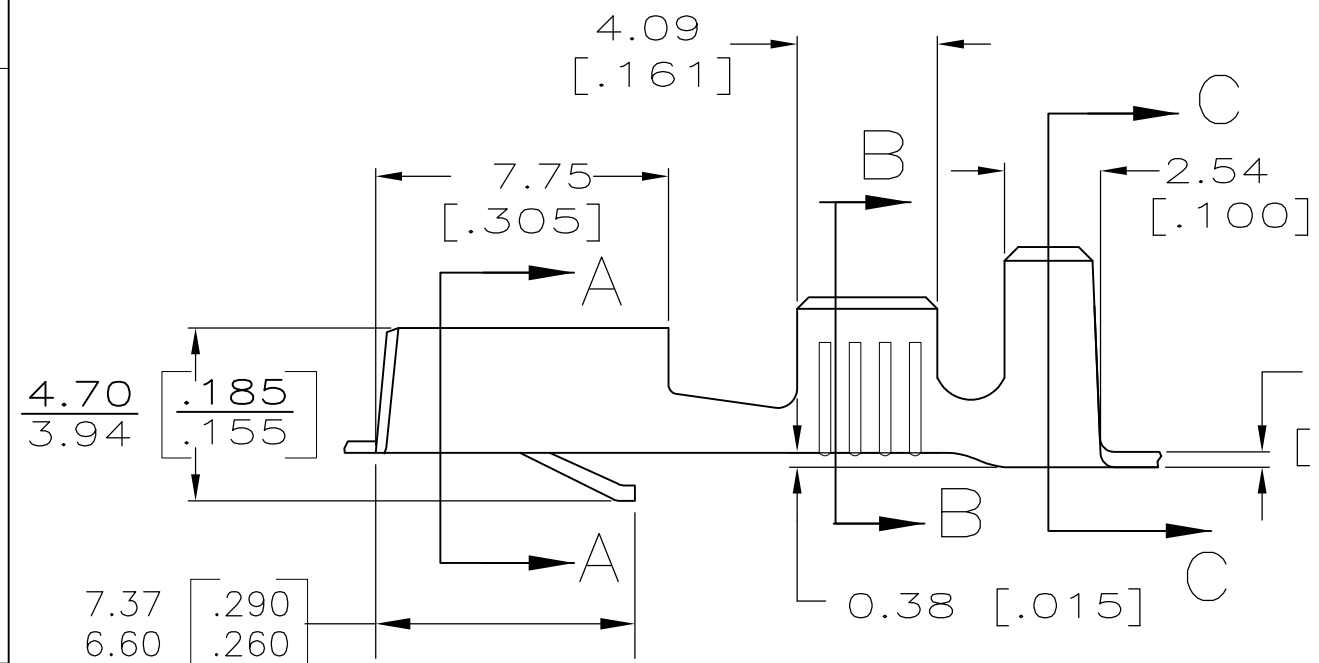


THIS DRAWING IS UNPUBLISHED. RELEASED FOR PUBLICATION  
 © COPYRIGHT - By - ALL RIGHTS RESERVED.

LOC	DIST	REVISIONS					
AF	50	P	LTR	DESCRIPTION	DATE	DWN	APVD
			AM3	REVISED PER ECO-11-004587	11MAR11	RK	HMR



- 1 CONTINUOUS STRIP ON REELS.
- △2 PREPRODUCTION - FASR REQ.
- 3 MATING TAB THK TO BE 0.81±0.025 [.032±.001].
- △4 REDUCED PACKAGE QUANTITY
- △5 PRELIMINARY - NOT FOR PRODUCTION
- △6 OBSOLETE PARTS: OBSOLETE CIS STREAMLINING PER D.RENAUD/D.SINISI



±0.025  
0.41  
±.001  
[.016]  
SUPERSEDED BY 42281-2

INSULATION RANGE	WIRE SIZE	FINISH	TIN	H04 BRASS	△4/△5 42281-8
			TIN	H03 PHOS BRZ	42281-7
			SILVER	H03 PHOS BRZ	△2/△6 42281-6
			-	H03 PHOS BRZ	42281-5
			SILVER	H04 BRASS	42281-3
			TIN	H04 BRASS	42281-2
			-	H04 BRASS	42281-1

0	4.57 [.180]	5.59 [.220]	F	2.79 [.110]	1.40 [.055] [#18]	
					1.55 [.061] [#16]	
					1.78 [.070] [#14]	
TYPE	WIDTH	±0.38 [±.015] STRIP LENGTH	TYPE	WIDTH	±0.51 [.002] HEIGHT	WIRE
INSUL BARREL CRIMP			WIRE BARREL CRIMP			

THIS DRAWING IS A CONTROLLED DOCUMENT.  
 DIMENSIONS: MM [INCHES]  
 TOLERANCES UNLESS OTHERWISE SPECIFIED:  
 0 PLC ± -  
 1 PLC ± -  
 2 PLC ± 0.25 [.010]  
 3 PLC ± -  
 4 PLC ± -  
 ANGLES ± -  
 MATERIAL: SEE TABLE  
 FINISH: SEE TABLE

DWN JR RUTH 9/17/90  
 CHK MS FEHER 9/17/90  
 APVD RON KUZO 9/17/90  
 PRODUCT SPEC  
 APPLICATION SPEC 114-2025  
 WEIGHT -  
 CUSTOMER DRAWING

**STE** TE Connectivity

RECEPTACLE, FASTIN-FASTON, 6.35 [.250] SERIES

SIZE	CAGE CODE	DRAWING NO	RESTRICTED TO
A3	00779	C-42281	-

SCALE 5:1 SHEET 1 OF 1 REV AM3