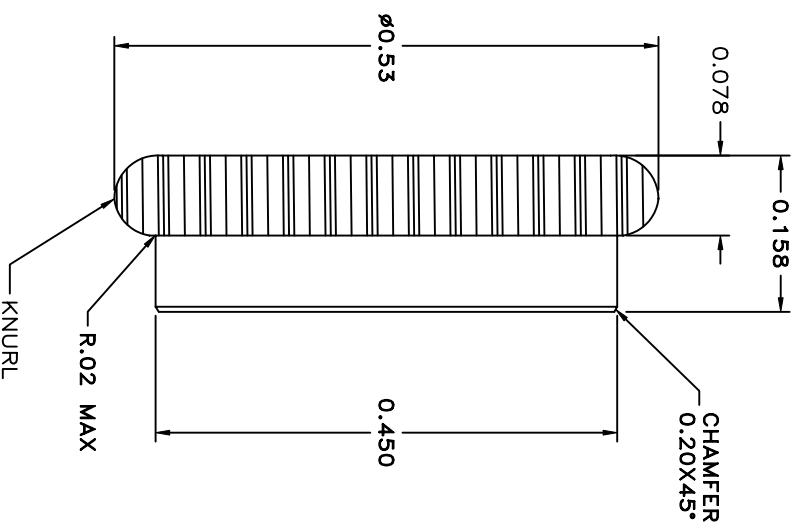
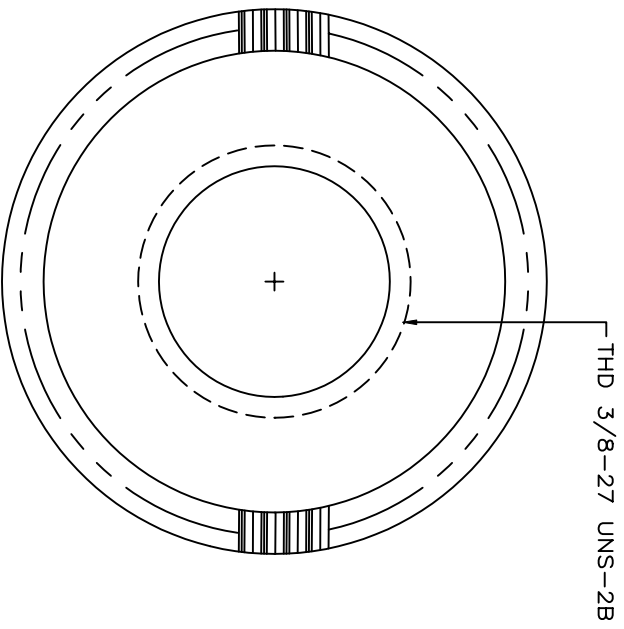


LTR	EN	DESCRIPTION	APPR	BY	DATE
A	-	INITIAL RELEASE	MT	DC	04-01-08



JUDCO INVENTORY NO. 18-1017-00
 DESCRIPTION: NUT, KNURLED 3/8-27
 BRASS/BRIGHT NICKEL PLATE
 ROHS COMPLIANT

CUSTOMER:
 CUSTOMER PN:
 APPROVED BY: _____
 DATE: _____

This document embodies a product, component, and/or design proprietary to JUDCO MANUFACTURING INC., and which is protected either as a trade secret, by U.S. Patent, or by copyright. It may not be used in any way without written express consent of JUDCO MANUFACTURING INC.

DIMENSIONS IN INCHES DIMENSIONS ARE REFERENCE		
DRAWN: DC 04-01-08		
APPR: KJ 04-01-08	DWG. NO. 1415-1359	TITLE NUT, 3/8-27 BRASS BRIGHT NI-PLT
1415U1359A.DWG		SHEET 1 OF 1