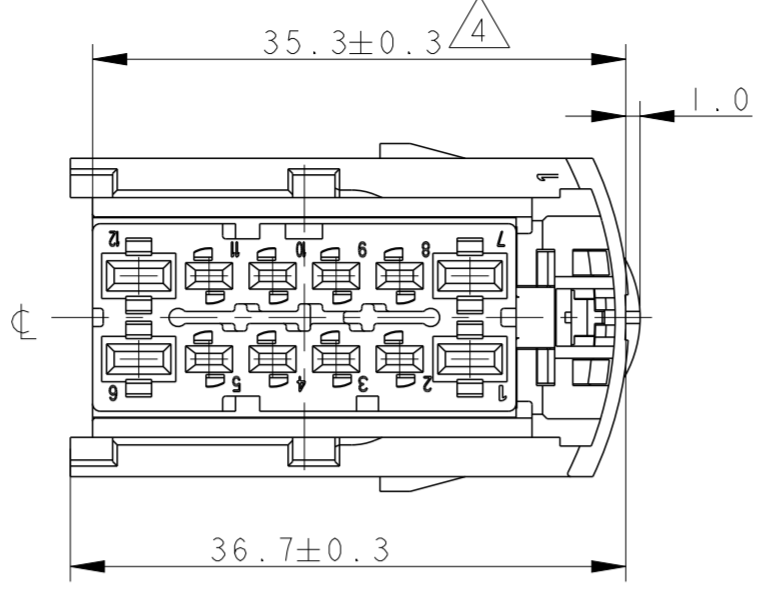
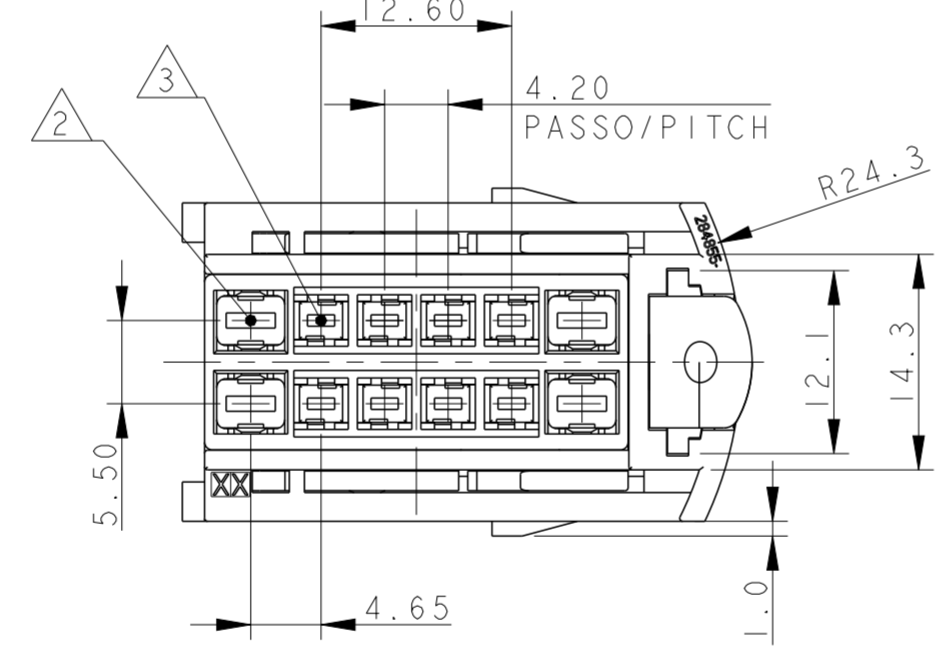
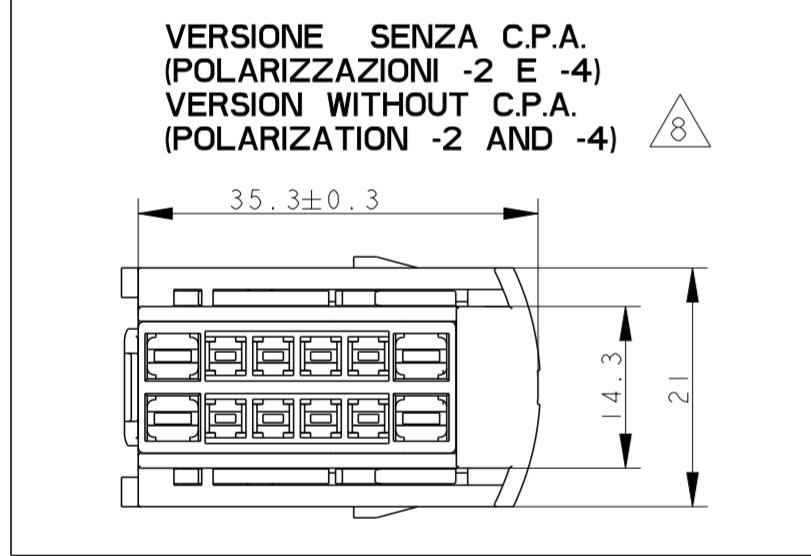
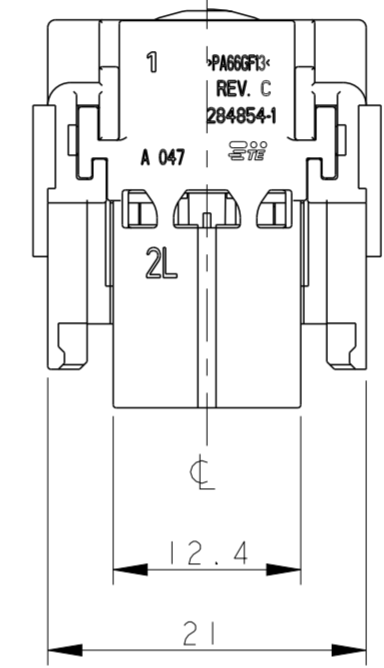
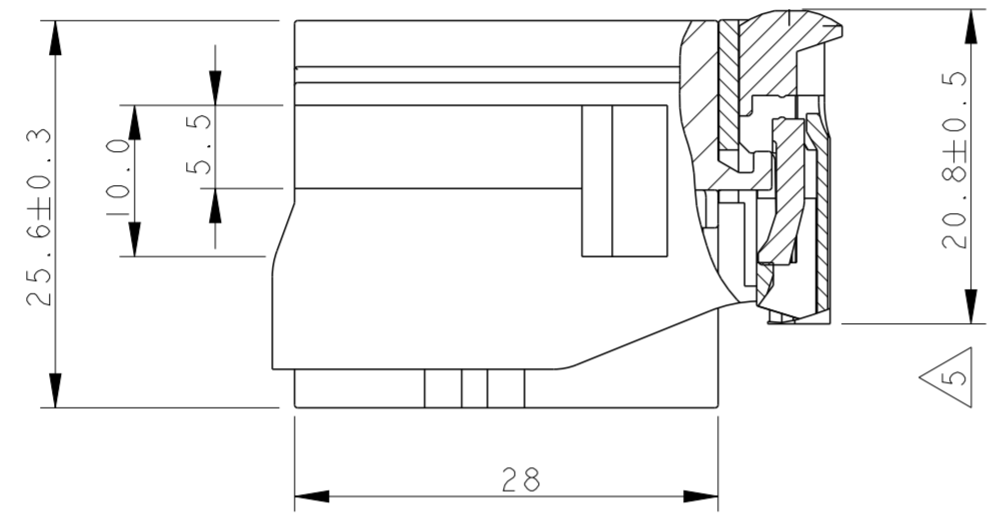
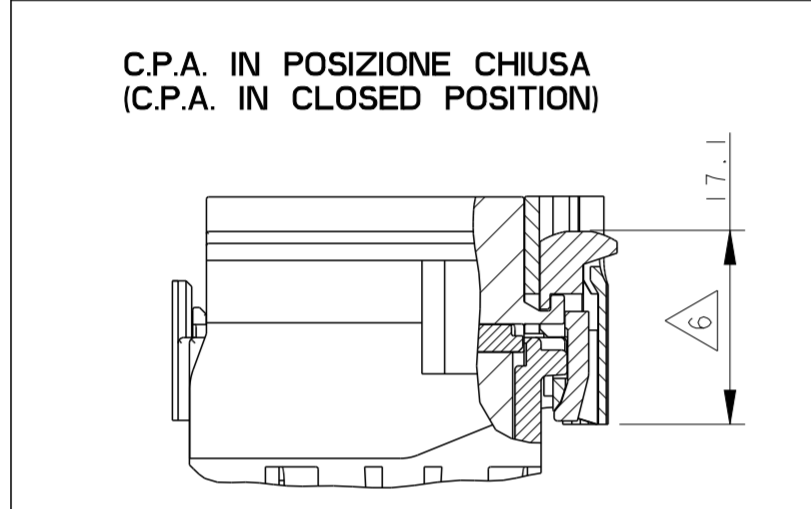


REVISIONS					
P	LTR	DESCRIPTION	DATE	DWN	APVD
	C	NEW GLASS FIBER PERCENTAGE ON HSG ECR-15-3187	18JAN2005	A.B.	M.G.
	C1	ECR15-011013	29JUL2015	M.P.	M.G.
	C2	REVISED PER ECO-17-001706	10FEB2017	C.A.	M.G.

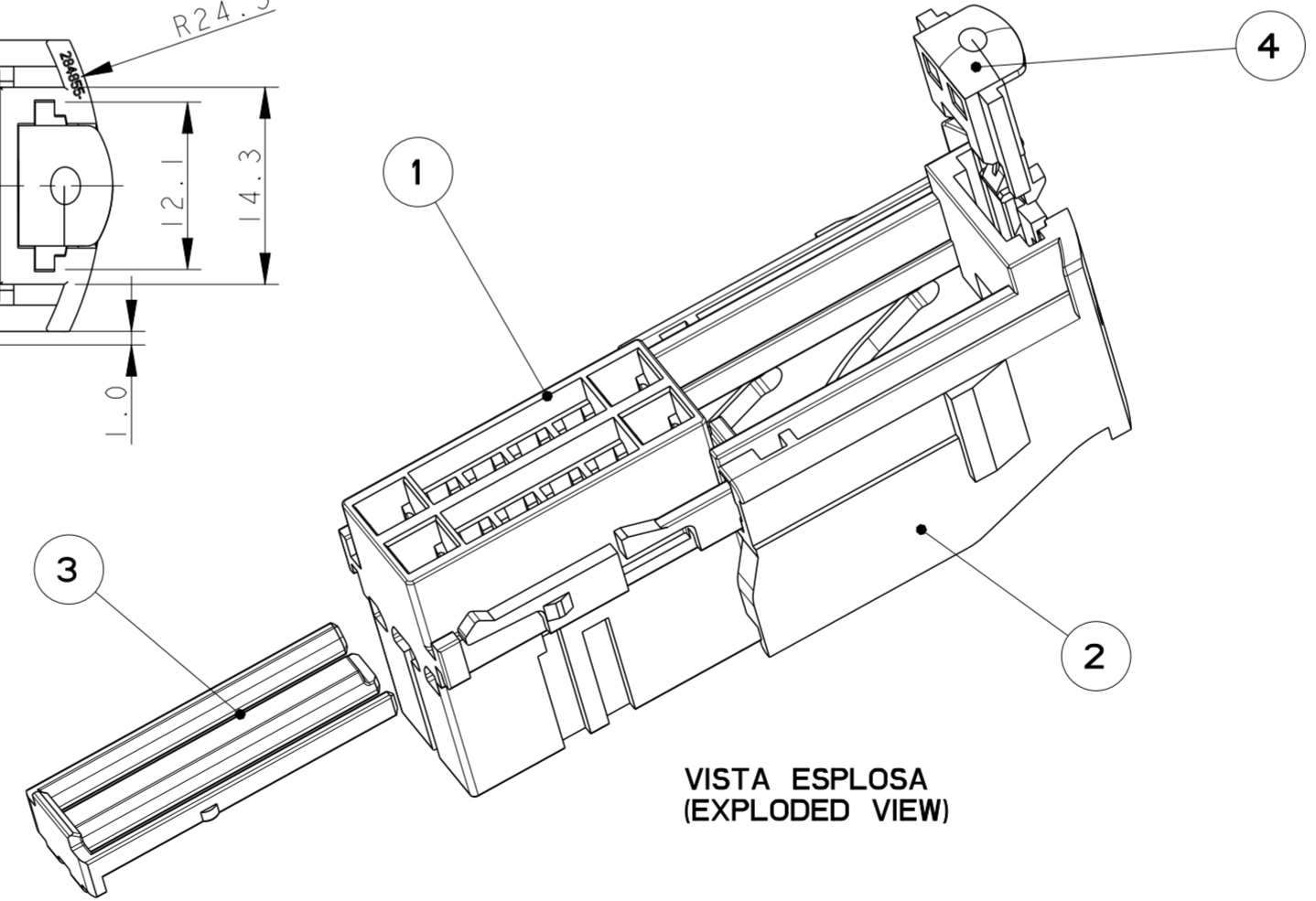
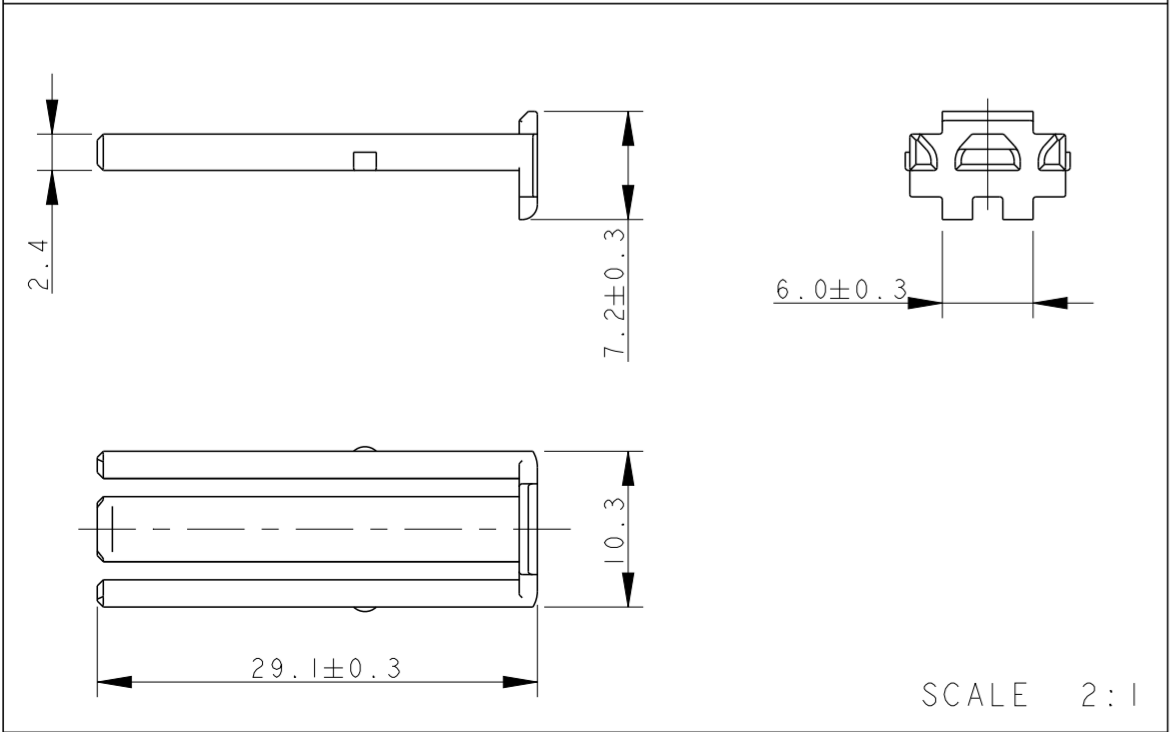


SECTION C-C

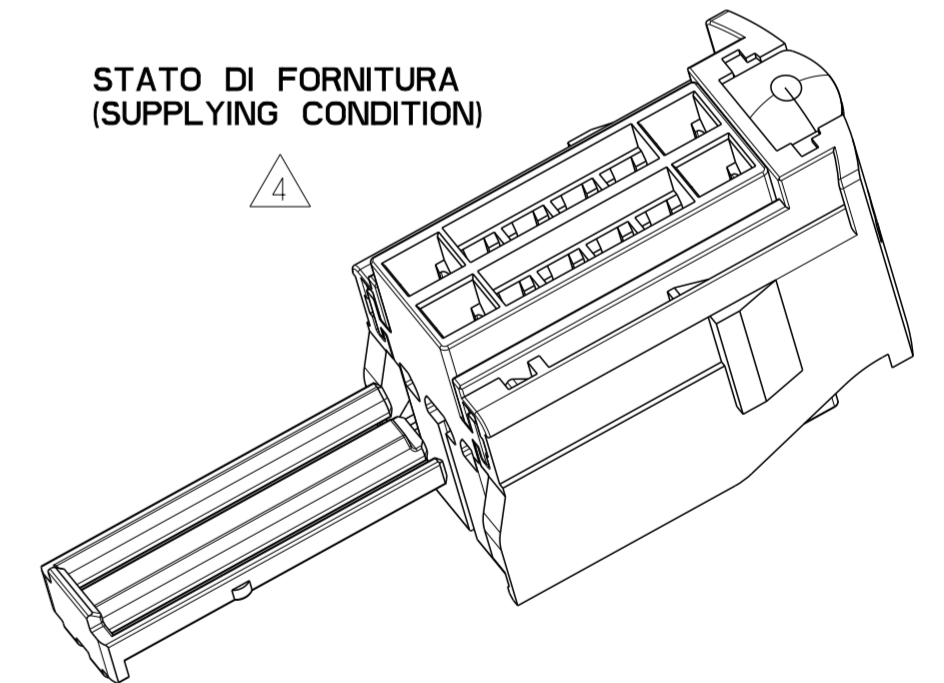
SLITTA IN POSIZIONE CORRETTA PER ACCOPPIAMENTO DI CONNETTORE CON CONTROPARTE
 (SLIDE IN PROPER POSITION TO MATE THE CONNECTOR WITH COUNTERPART)



SECONDARY LOCK FORNITO NELL' IMBALLO IN PARI QUANTITA' (SECONDARY LOCK SUPPLIED IN THE BOX IN THE SAME Q.TY)



VISTA ESPLOSA (EXPLODED VIEW)



STATO DI FORNITURA (SUPPLYING CONDITION)

P/N 284853-1 COME MOSTRATO (CODICE A)
 (P/N 284853-1 AS SHOWN (CODING A))
 VEDI FOGLIO 2 PER ALTRE POLARIZZAZIONI (SEE SHEET 2 FOR OTHER POLARIZATIONS)

Q.TA' (Q.TY)	COLORE (COLOUR)	MATERIALE (MATERIAL)	DESCRIZIONE (DESCRIPTION)	NO. (ITEM)
1	GIALLO/ (YELLOW)	PA66 GF13	C.P.A. (OPZIONALE) C.P.A. (OPTIONAL)	4
1	ROSSO/ (RED)	PA66 GF30	SECONDARY LOCK	3
1	BLU/ (BLUE)	PA66 GF30	SLITTA/ (SLIDE)	2
1	NERO O GRIGIO (BLACK OR GREY)	PA66 GF13	BLOCCHETTO/ (HOUSING)	1

THIS DRAWING IS A CONTROLLED DOCUMENT.		DWN	A PLAZIO	03MAY2002
DIMENSIONS: mm		CHK	C PIA	06MAY2002
TOLERANCES UNLESS OTHERWISE SPECIFIED:		APVD	A GENTA	06MAY2002
0 PLC	±0.3	NAME		
1 PLC	±0.2	AMP MCP 1.5/2.8 SOCKET HOUSING		
2 PLC	±0.1	12 POS. ASS'Y-UNSEALED		
3 PLC	±	(CONNETTORE IBRIDO 12 VIE)		
4 PLC	±	SIZE		
ANGLES	±1°	CAGE CODE		
FINISH	SEE TABLE	DRAWING NO		
MATERIAL	SEE TABLE	A2		
		RESTRICTED TO		
		Customer Drawing		
		SCALE NO SCALE		
		SHEET 1 OF 2		
		REV C2		

STE		TE Connectivity	
NAME		AMP MCP 1.5/2.8 SOCKET HOUSING	
PRODUCT SPEC		12 POS. ASS'Y-UNSEALED	
APPLICATION SPEC		(CONNETTORE IBRIDO 12 VIE)	
WEIGHT	-	SIZE	A2
Customer Drawing		CAGE CODE	-
		DRAWING NO	C-284853
		RESTRICTED TO	-
		SCALE	NO SCALE
		SHEET	1 OF 2
		REV	C2

REVISIONS				
P	LTR	DESCRIPTION	DATE	APVD
-	-	SEE SHEET 1	-	-

CODICI DI POLARIZZAZIONE (POLARIZATION CODINGS)

<p>P/N 284853-1 BLOCCHETTO COLORE NERO (HOUSING BLACK COLOUR) CODICE A (CODE A) VERSIONE CON C.P.A. (VERSION WITH C.P.A.) CONTROPARTI ADATTE: (SUITABLE COUNTERPARTS:) P/N 284858-1 / 284858-3</p>	<p>P/N 284853-2 ⚠ BLOCCHETTO COLORE NERO (HOUSING BLACK COLOUR) CODICE A (CODE A) VERSIONE SENZA C.P.A. (VERSION WITHOUT C.P.A.) CONTROPARTI ADATTE: (SUITABLE COUNTERPARTS:) P/N 284858-1 / 284858-3</p>	<p>P/N 284853-3 BLOCCHETTO COLORE GRIGIO (HOUSING GREY COLOUR) CODICE B (CODE B) VERSIONE CON C.P.A. (VERSION WITH C.P.A.) CONTROPARTI ADATTE: (SUITABLE COUNTERPARTS:) P/N 284858-2 / 284858-4</p>	<p>P/N 284853-4 ⚠ BLOCCHETTO COLORE GRIGIO (HOUSING GREY COLOUR) CODICE B (CODE B) VERSIONE SENZA C.P.A. (VERSION WITHOUT C.P.A.) CONTROPARTI ADATTE: (SUITABLE COUNTERPARTS:) P/N 284858-2 / 284858-4</p>

INGOMBRI DI RIFERIMENTO PER ACCOPIAMENTO CON CONTROPARTE (SPACE NEEDED DURING MATING WITH COUNTERPART)

CONNETTORI IN FASE DI ACCOPIAMENTO (CONNECTORS DURING MATING PHASE)	CONNETTORI ACCOPIATI (MATED CONNECTORS)
<p>SCALE 2:1</p>	<p>SCALE 2:1</p>

THIS DRAWING IS A CONTROLLED DOCUMENT.		DWN A. PLAZIO 03MAY2002	TE Connectivity			
DIMENSIONS: mm		CHK C. PIA 06MAY2002				
TOLERANCES UNLESS OTHERWISE SPECIFIED:		APVD A. GENIA 06MAY2002				
0 PLC ±0.3 1 PLC ±0.2 2 PLC ±0.1 3 PLC ± 4 PLC ± ANGLES ±1°		NAME AMP MCP 1.5/2.8 SOCKET HOUSING 12 POS. ASS'Y-UNSEALED (CONNETTORE IBRIDO 12 VIE)				
MATERIAL SEE TABLE		PRODUCT SPEC 108-20243	SIZE A2	CAGE CODE -	DRAWING NO. C-284853	RESTRICTED TO -
FINISH SEE TABLE		APPLICATION SPEC -	WEIGHT -	SCALE 2:1	SHEET 2 OF 2	REV C2
Customer Drawing						