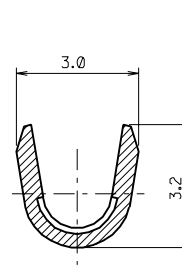
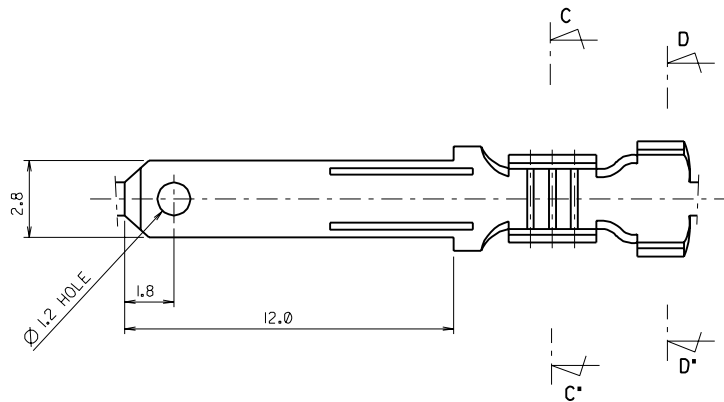


ENG. NO. SD 35711-04\*0

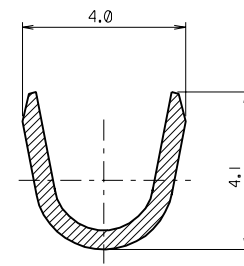
EDP NO.

SIMILAR ITEM

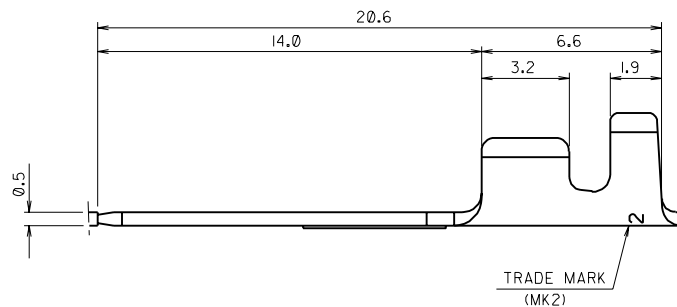
PROJECT NO.



SECTION: C-C\*



SECTION: D-D\*



NOTES

- 1. MATERIAL: BRASS 0.5 THK'
- 2. PLATING: 35711-0400:UNPLATING  
35711-0410:POST-TIN PLATING

WIRE RANGE AWG #20-#16 (0.52-1.31 mm <sup>2</sup> )				MATERIAL	SEE NOTES	MOLEX-KOREA CO.,LTD.		
	INSULATION RANGE Ø 1.8-2.3				GENERAL TOLERANCE DIMENSION : +0.3 ANGLE :		DRAWN BY W.Y.YANG	CHK'D BY
DIE FEED: //	B	REVISED	95-007	95.1.17	DIMENSION CLASSIFICATION ▽ : CRITICAL ▼ : MAJOR ( ) : REFERENCE	APP'D BY	SCALE	N/S
APPLICATOR FEED: 22.1	A	REDRAWN	92-007	92.1.31	ASS'Y PART	TITLE :		SHEET
O'TY/ REEL OR PACK 10,000 O'TY/REEL	LTR	REVISION RECORD	ECN	DATE	DESCRIPTION	ENG. NO.	.110 SLIP-ON TAB IOF 1	
REVISE ONLY ON CAD SYSTEM					//	//	ENG. NO. SD 35711-04*0	
							REV A	