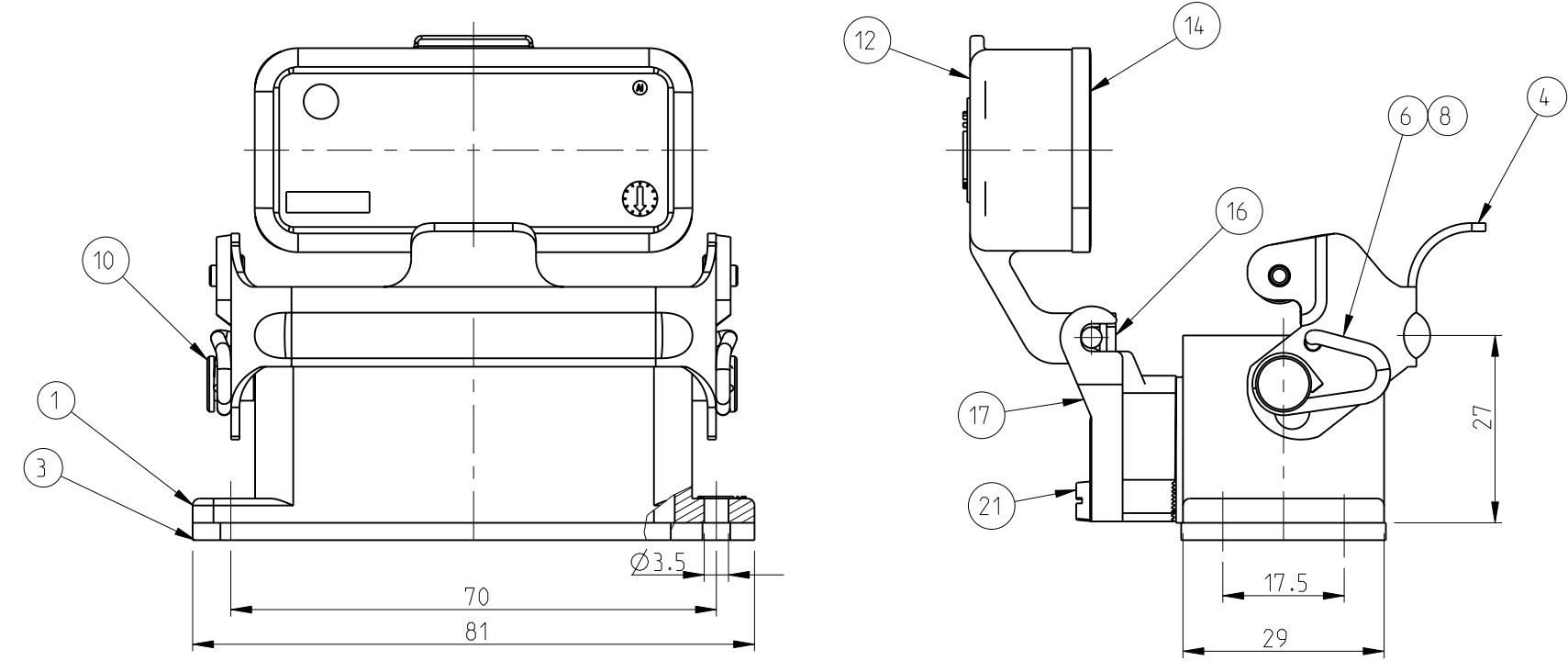
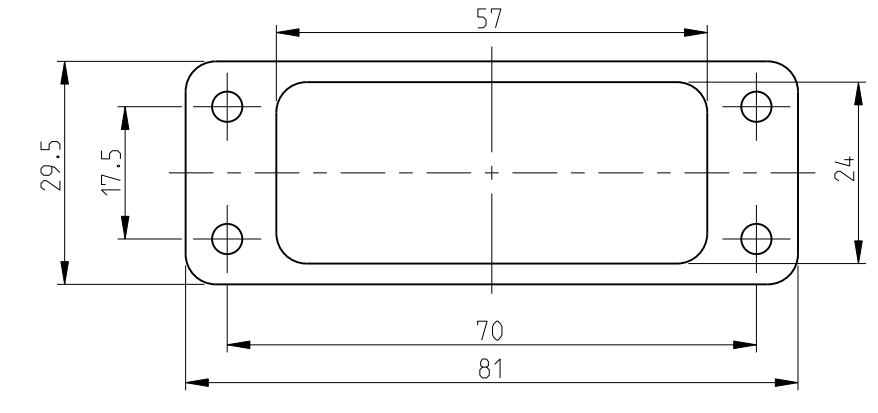


THIS DRAWING IS UNPUBLISHED. RELEASED FOR PUBLICATION 1997  
 © COPYRIGHT 1997 BY TYCO ELECTRONICS CORPORATION. ALL RIGHTS RESERVED.

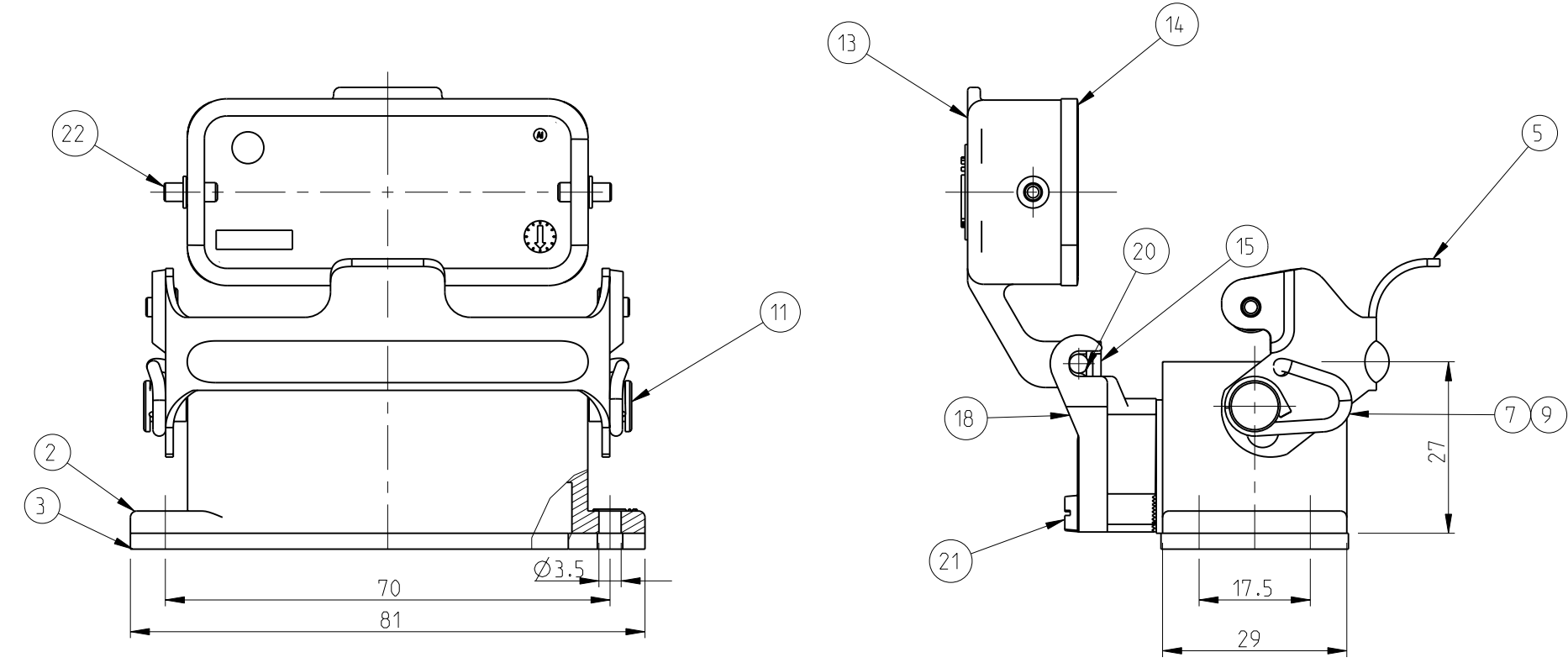
PN 1-2



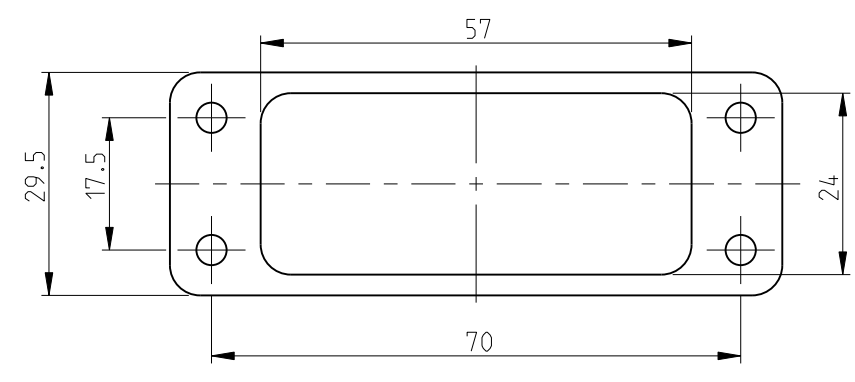
PANEL CUT-OUT



PN 2-2

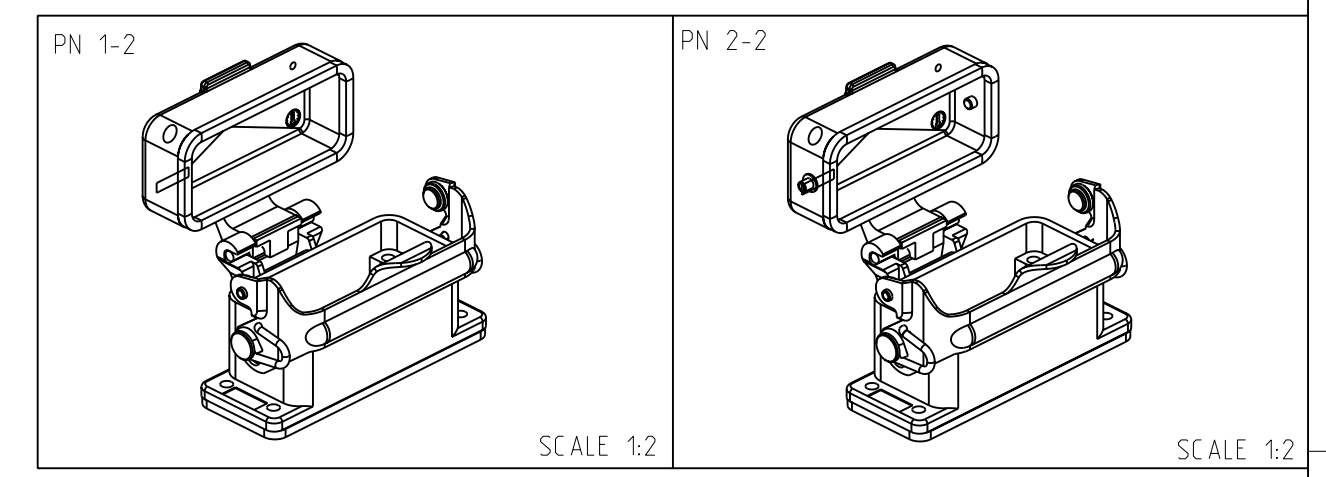


PANEL CUT-OUT



| LOC | DIST | REVISIONS   |                               |             |      |    |
|-----|------|-------------|-------------------------------|-------------|------|----|
| P   | LTR  | DESCRIPTION | DATE                          | DWN         | APVD |    |
| A1  | -    | A5          | RELEASED AS PER ECR-09-005170 | 05.MAR.2009 | GG   | TS |

- NOTES
- 1 MATERIAL:HOUSING:ALUMINIUM DIECASTING ALLOY  
SEALS:NEOPRENE
  - 2 SURFACE:VARNISH-ALUMINIUM OXIDE+  
VARNISH BLACK  
-GREY
  - 3 PACKAGING QUANTITY:5 PIECES PER BOX
  - 4 VARNISH ON THE INSIDE NOT NECESSARILY



| QTY            | DESCRIPTION                            | MATERIAL       | SURFACE         | COLOR | ITEM NO | REMARKS |
|----------------|--|----------------|-----------------|-------|---------|---------|
| 2              | - CLIP BOLT                            | STAINLES STEEL | BLANK           | -     | 22      | -       |
| 2              | 2 CYLINDER SCREW                       | STAINLES STEEL | BLANK           | -     | 21      | M3x16   |
| 1              | - GROOVED PINS                         | STAINLES STEEL | BLANK           | -     | 20      | -       |
| -              | 1 GROOVED PINS                         | STEEL          | ZINC PLATED     | BLUE  | 19      | -       |
| 1              | - HINGE                                | ALUMINIUM      | ALUMINIUM OXIDE | BLACK | 18      | -       |
| -              | 1 HINGE                                | ALUMINIUM      | -               | GREY  | 17      | -       |
| 1              | - LEAF SPRING                          | STAINLES STEEL | BLANK           | -     | 16      | -       |
| -              | 1 LEAF SPRING                          | STEEL          | ZINC PLATED     | BLUE  | 15      | -       |
| 1              | 1 PROFILE SEAL                         | NEOPRENE       | -               | BLACK | 14      | -       |
| 1              | - COVER                                | ALUMINIUM      | ALUMINIUM OXIDE | BLACK | 13      | -       |
| -              | 1 COVER                                | ALUMINIUM      | -               | GREY  | 12      | -       |
| 2              | - CENTRAL CLIP POSITIONER              | STAINLES STEEL | BLANK           | -     | 11      | -       |
| -              | 2 CENTRAL CLIP POSITIONER              | STEEL          | ZINC PLATED     | BLUE  | 10      | -       |
| 1              | - CLIP SPRING LEFT                     | STAINLES STEEL | BLANK           | -     | 9       | -       |
| -              | 1 CLIP SPRING LEFT                     | STEEL          | ZINC PLATED     | BLUE  | 8       | -       |
| 1              | - CLIP SPRING RIGHT                    | STAINLES STEEL | BLANK           | -     | 7       | -       |
| -              | 1 CLIP SPRING RIGHT                    | STEEL          | ZINC PLATED     | BLUE  | 6       | -       |
| 1              | - CLIP                                 | STAINLES STEEL | BLANK           | -     | 5       | -       |
| -              | 1 CLIP                                 | STEEL          | ZINC PLATED     | BLUE  | 4       | -       |
| 1              | 1 FLANGE SEAL                          | RUBBER         | -               | BLACK | 3       | -       |
| 1              | - SURFACE MOUNTED HOUSING BOTTOM ENTRY | ALUMINIUM      | ALUMINIUM OXIDE | BLACK | 2       | -       |
| -              | 1 SURFACE MOUNTED HOUSING BOTTOM ENTRY | ALUMINIUM      | -               | GREY  | 1       | -       |
| 2-2            | 1-2 DESCRIPTION                        | MATERIAL       | SURFACE         | COLOR | ITEM NO | REMARKS |
| HA.10.AGD-LB   |  | PACKAGING      |                 |       |         |         |
| HA-K.10.AGD-LB |  | PACKAGING      |                 |       |         |         |

THIS DRAWING IS A CONTROLLED DOCUMENT FOR TYCO ELECTRONICS CORPORATION IT IS SUBJECT TO CHANGE AND THE CONTROLLING ENGINEERING ORGANIZATION SHOULD BE CONTACTED FOR THE LATEST REVISION.

DWN SCHNEIDER 08.03.1999  
 CHK SCHWEIGER 08.03.1999  
 APVD -

NAME SURFACE MOUNTED HOUSING HA.10.AGD

SIZE A2 CAGE CODE 00779 DRAWING NO G-1102122 RESTRICTED TO -

PRODUCT SPEC 108-74009  
 APPLICATION SPEC 114-74004  
 WEIGHT -

CUSTOMER DRAWING SCALE 1:1 SHEET 1 OF 1 REV A5