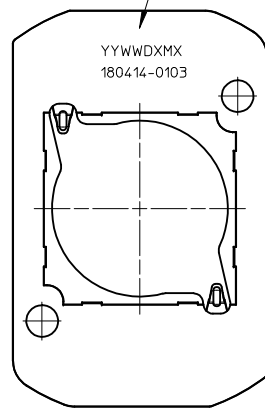
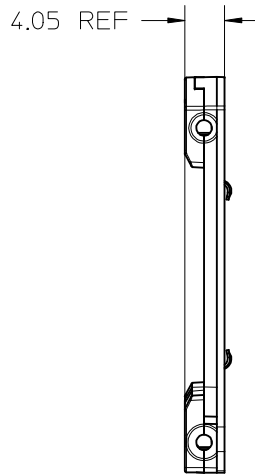
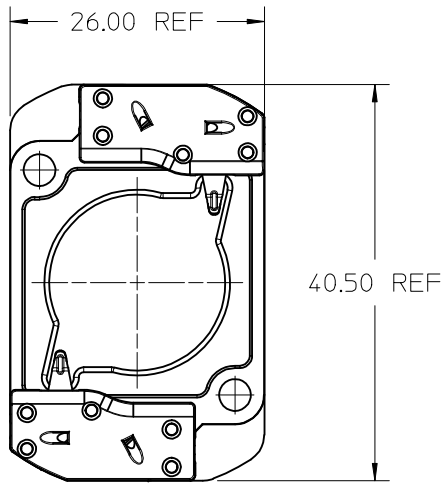
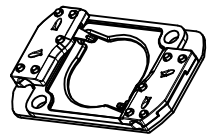


10 9 8 7 6 5 4 3 2 1



PART MARKED WITH
DATE CODE (YYWWD)
MFG PLANT (XM)
REVISION (X)
PART NUMBER (180414-0103)



ISOMETRIC VIEW 1
SCALE 1:1

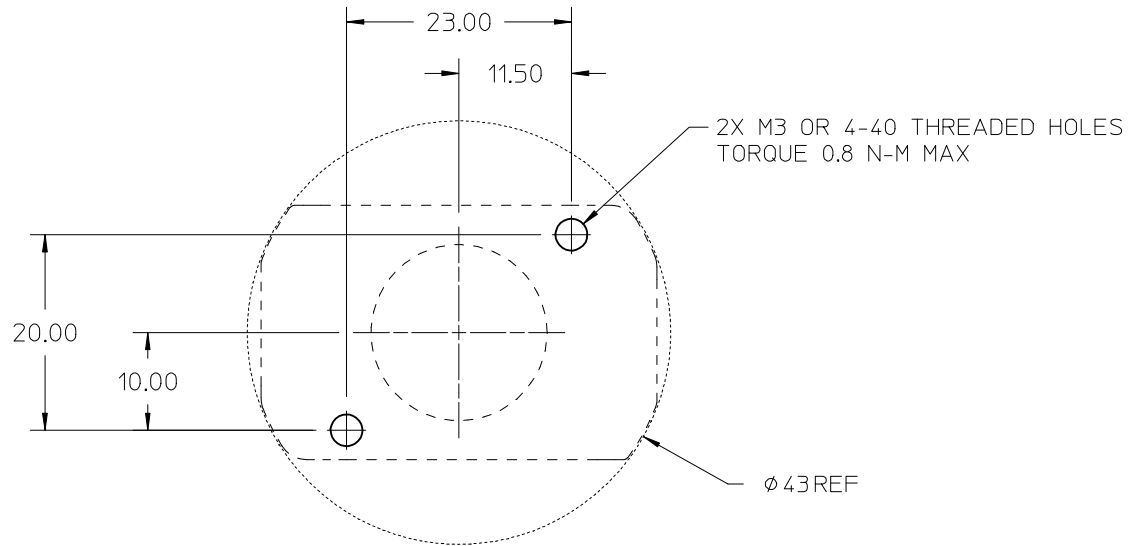
NOTES:

1. MATERIALS: HOUSING: POLYAMIDE (PA66), GLASS FILLED, UL94V-0, 5VA (89992-0289); TERMINAL: COPPER ALLOY
2. FINISHES: TERMINAL: NICKEL (Ni) UNDERPLATE 1.27 μ m, SELECT TIN (Sn) 2.54 μ m, SELECT GOLD (Au) 0.76 μ m
3. PRODUCT SPECIFICATION: PS-180414-001
4. PACKAGING SPECIFICATION: PK-180414-003
5. APPLICATION SPECIFICATION: AS-180414-001
6. FOR USE WITH: CITIZEN COB SERIES CLL030 LED
7. WIRE GAUGE: 18 OR 20 AWG, SOLID OR STRANDED WITH TIN OVERCOAT. STRIP LENGTH 1CM.
8. UL:OLFB2 UL496 FILE: E345583 (PENDING)
9. REFERENCE PS-180414-001 FOR RoHAS REQUIREMENTS.

ENTER DESCRIPTION EC NO: SSL2013-0006 DRAWN/MCOLE 2012/05/24 CHKD/MCOLE 2012/08/06 APPR/DMCGOWAN 2012/08/06	QUALITY SYMBOLS ▽=0 ▽=0 ▽=0	GENERAL TOLERANCES (UNLESS SPECIFIED)		DIMENSION STYLE MM ONLY		SCALE 2:1	DESIGN UNITS METRIC	THIRD ANGLE PROJECTION		
			mm	INCH	DRAWN BY MDEVITO	DATE 2012/04/16	CITIZEN COB SERIES CLL030 HS HOLDER ASSEMBLY molex			
		4 PLACES	±---	±---	CHECKED BY MCOLE	DATE 2012/08/06				
		3 PLACES	±---	±---	APPROVED BY DMCGOWAN	DATE 2012/08/06	MATERIAL NO. 1804140103	DOCUMENT NO. SD-180414-103	SHEET NO. 1 OF 2	
2 PLACES	±0.13	±---	ANGULAR ±1/2°		THIS DRAWING CONTAINS INFORMATION THAT IS PROPRIETARY TO MOLEX INCORPORATED AND SHOULD NOT BE USED WITHOUT WRITTEN PERMISSION					
1 PLACE	±0.25	±---	DRAFT WHERE APPLICABLE MUST REMAIN WITHIN DIMENSIONS							
0 PLACE	±---	±---								

9 8 7 6 5 4 3 2 1

10 9 8 7 6 5 4 3 2 1



RECOMMENDED MOUNTING DIMENSIONS

ENTER DESCRIPTION EC NO: SSL2013-0006 DRAWN: MCOLE 2012/05/24 CHKD: MCOLE 2012/08/06 APPR: DMCGOWAN 2012/08/06	QUALITY SYMBOLS ∇/0 ∇/0 ∇/0	GENERAL TOLERANCES (UNLESS SPECIFIED)		DIMENSION STYLE MM ONLY		SCALE 2:1	DESIGN UNITS METRIC	THIRD ANGLE PROJECTION	
		4 PLACES ± --- ± ---	DRAWN BY MDEVITO	DATE 2012/04/16	TITLE CITIZEN COB SERIES CLL030 HS HOLDER ASSEMBLY				
		3 PLACES ± --- ± ---	CHECKED BY MCOLE	DATE 2012/08/06					
		2 PLACES ± 0.13 ± ---	APPROVED BY DMCGOWAN	DATE 2012/08/06	MATERIAL NO. 1800414103		DOCUMENT NO. SD-180414-103	SHEET NO. 2 OF 2	
1 PLACE ± 0.25 ± ---	ANGULAR ± 1/2° DRAFT WHERE APPLICABLE MUST REMAIN WITHIN DIMENSIONS		SIZE B		THIS DRAWING CONTAINS INFORMATION THAT IS PROPRIETARY TO MOLEX INCORPORATED AND SHOULD NOT BE USED WITHOUT WRITTEN PERMISSION				
0 PLACE ± --- ± ---									

9 8 7 6 5 4 3 2 1