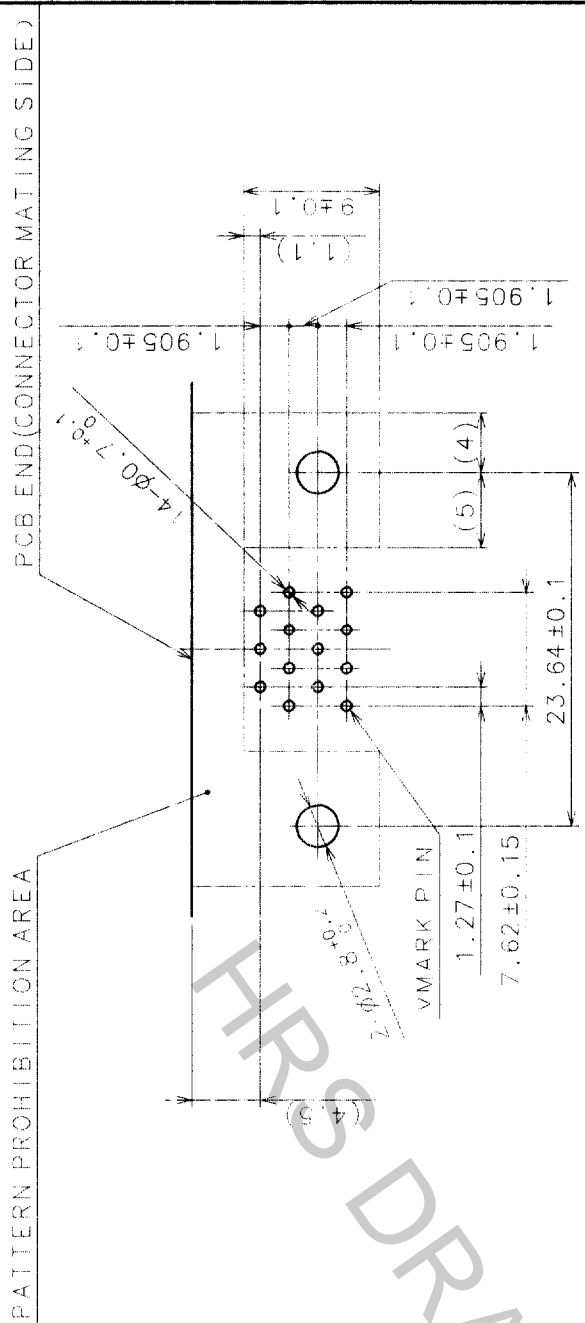
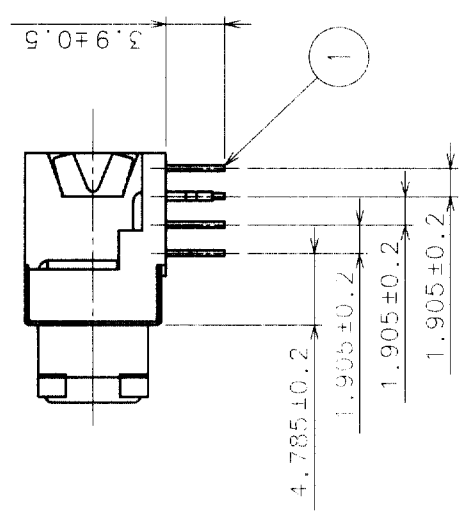
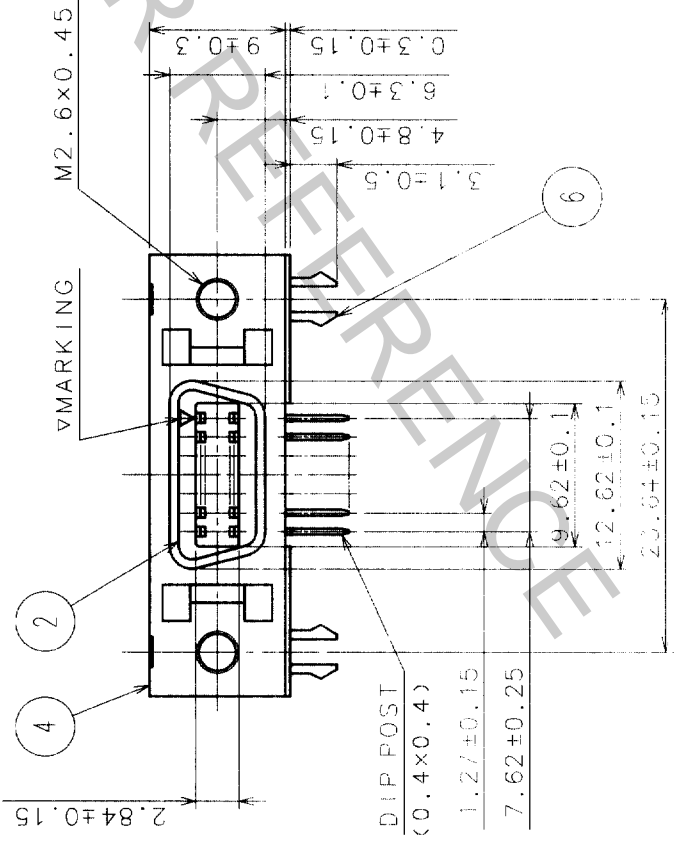
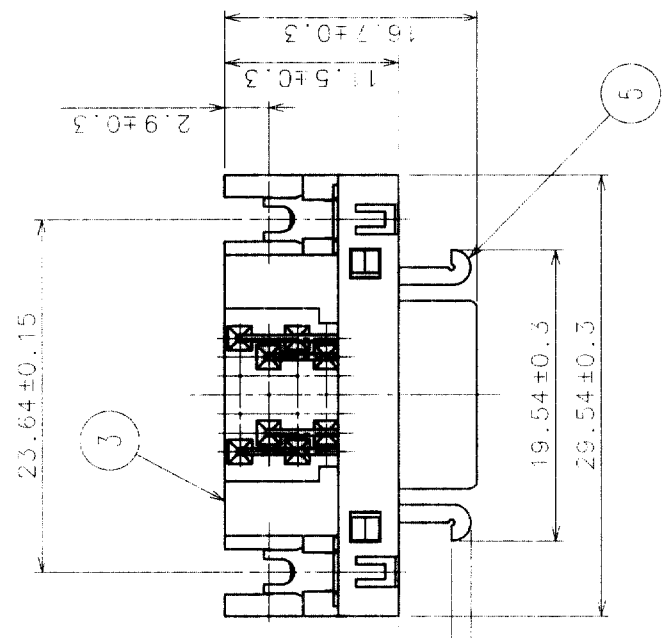
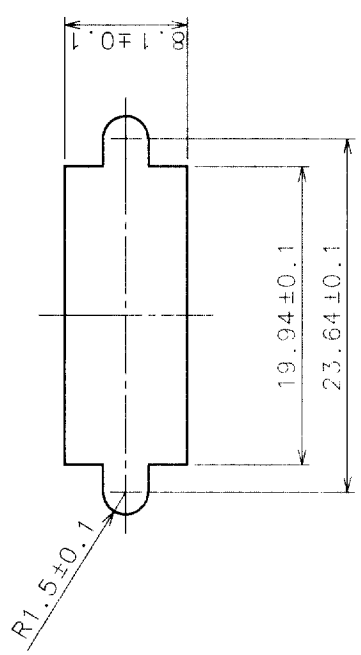


COUNT	DESCRIPTION OF REVISIONS	BY	CHKD	DATE	COUNT	DESCRIPTION OF REVISIONS	BY	CHKD	DATE

RECOMMENDED PC BOARD PATTERN
(RECOMMENDED BOARD THICKNESS 1.6mm)



PANEL CUTOUT
(PANEL THICKNESS TO BE 1.6mm MAX)



NO.	MATERIAL	FINISH, REMARKS	NO.	MATERIAL	FINISH, REMARKS
3	PBT	(BLACK) UL94V-0	6	BRASS	TIN PLATING
2	PBT	(BLACK) UL94V-0	5	STEEL	NICKEL PLATING
1	PHOSPHOR BRONZE	SELECTIVE GOLD FLASH PLATING	4	STEEL	NICKEL PLATING

CODE NO. (OLD)	DRAWN	DESIGNED	CHECKED	APPROVED	RELEASED
	<i>J. Yamaguchi</i>	<i>T. Yamaguchi</i>	<i>Y. Enami</i>	<i>H. Minami</i>	
	03.10.15	03.10.15	03.10.15	03.10.15	

DRAWING NO.	PART NO.
EDC3-120257-01	DX10G1M-14SE(50)
SCALE	CODE NO.
2 : 1	CL230-5210-9-50
UNITS	
MM	

TO
Q