

MATERIALS AND FINISHES

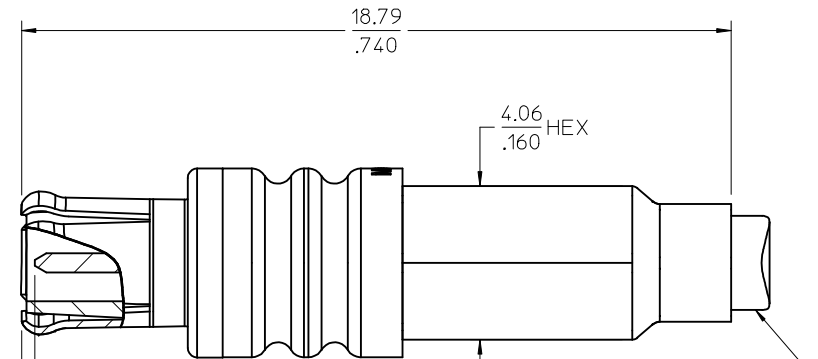
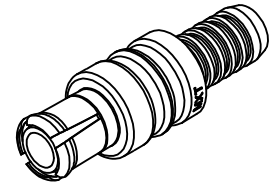
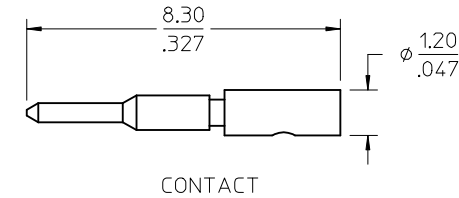
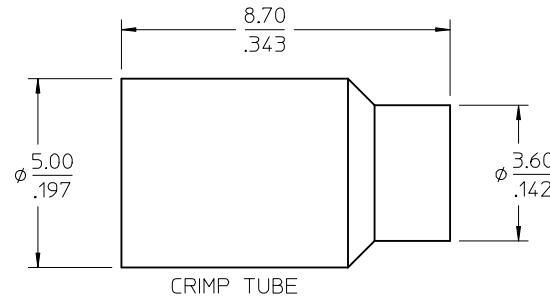
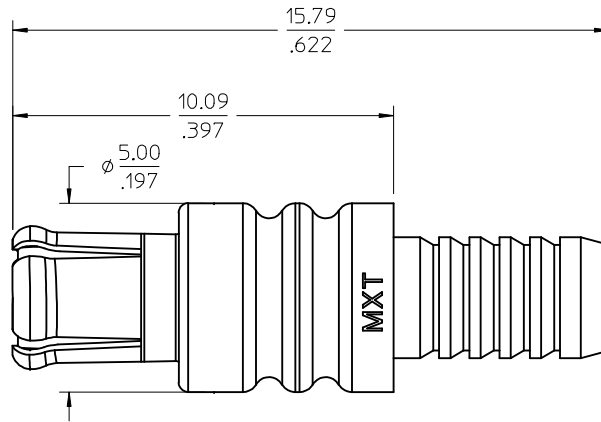
BODY: ZINC ALLOY  
PLATED SEE TABLE

CENTER CONTACT: BRASS  
PLATED GOLD

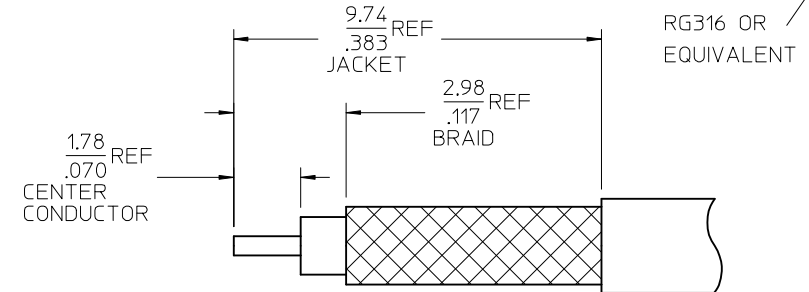
INSULATOR: TEFLON

OUTER CONTACT: BERYLLIUM COPPER  
PLATED SEE TABLE

FERRULE: BRASS  
PLATED SEE TABLE



0.35 ± 0.20  
.014 ± 0.008



RECOMMENDED CABLE STRIP

|            |             |           |                |                              |
|------------|-------------|-----------|----------------|------------------------------|
| 73366-0028 | NICKEL      | GOLD      | NICKEL         | BULK                         |
| 73366-0027 | GOLD        | GOLD      | GOLD           | BULK                         |
| 73366-0026 | GOLD        | GOLD      | GOLD           | ONE PIECE 73366-0021 PER BAG |
| 73366-0025 | NICKEL      | NICKEL    | NICKEL         | BULK                         |
| 73366-0024 | GOLD        | GOLD      | GOLD           | 73366-0021, SMALL TRAY       |
| 73366-0023 | NICKEL      | GOLD      | NICKEL         | 73366-0020, SMALL TRAY       |
| 73366-0022 | NICKEL      | GOLD      | NICKEL         | ONE PIECE 73366-0020 PER BAG |
| 73366-0021 | GOLD        | GOLD      | GOLD           | BULK                         |
| 73366-0020 | NICKEL      | GOLD      | NICKEL         | BULK                         |
| PART NO.   | FINISH BODY | FINISH OC | FINISH FERRULE | PACKAGING                    |

|               |                       |
|---------------|-----------------------|
| PS-89675-1830 | PRODUCT SPECIFICATION |
| SPECIFICATION | DESCRIPTION           |

|                                                                                                                       |                               |                                                                                                                                                      |                                                                                                                                        |                                                        |                                                                |                                                                                                                               |                              |                     |
|-----------------------------------------------------------------------------------------------------------------------|-------------------------------|------------------------------------------------------------------------------------------------------------------------------------------------------|----------------------------------------------------------------------------------------------------------------------------------------|--------------------------------------------------------|----------------------------------------------------------------|-------------------------------------------------------------------------------------------------------------------------------|------------------------------|---------------------|
| CHG: ADDED -0028<br>PDR:13071391<br>IEC NO: URF2014-0081<br>DRWN:YCHENG 2013/08/01<br>CHKD:<br>APPR:MHUANG 2013/08/08 | QUALITY SYMBOLS<br>▽=0<br>▽=0 | GENERAL TOLERANCES (UNLESS SPECIFIED)<br>4 PLACES ± --- ± ---<br>3 PLACES ± --- ± ---<br>2 PLACES ± --- ± ---<br>1 PLACE ± --- ± ---<br>ANGULAR ± 2° | DIMENSION STYLE<br>MM/IN<br>DRAWN BY IRIS WANG DATE 1997/05/13<br>CHECKED BY IRIS DATE 1997/05/13<br>APPROVED BY MISEN DATE 1997/05/13 | SCALE<br>DESIGN UNITS METRIC<br>THIRD ANGLE PROJECTION | TITLE<br>MCX PLUG STRAIGHT<br>RG-316 50 OHM<br>MCX-PC EWR-1468 | MATERIAL NO.<br>SEE TABLE                                                                                                     | DOCUMENT NO.<br>SD-73366-002 | SHEET NO.<br>1 OF 1 |
|                                                                                                                       |                               | DRAFT WHERE APPLICABLE MUST REMAIN WITHIN DIMENSIONS                                                                                                 |                                                                                                                                        | MOLEX INCORPORATED                                     |                                                                | THIS DRAWING CONTAINS INFORMATION THAT IS PROPRIETARY TO MOLEX INCORPORATED AND SHOULD NOT BE USED WITHOUT WRITTEN PERMISSION |                              |                     |
|                                                                                                                       |                               |                                                                                                                                                      |                                                                                                                                        |                                                        |                                                                |                                                                                                                               |                              |                     |
|                                                                                                                       |                               |                                                                                                                                                      |                                                                                                                                        |                                                        |                                                                |                                                                                                                               |                              |                     |