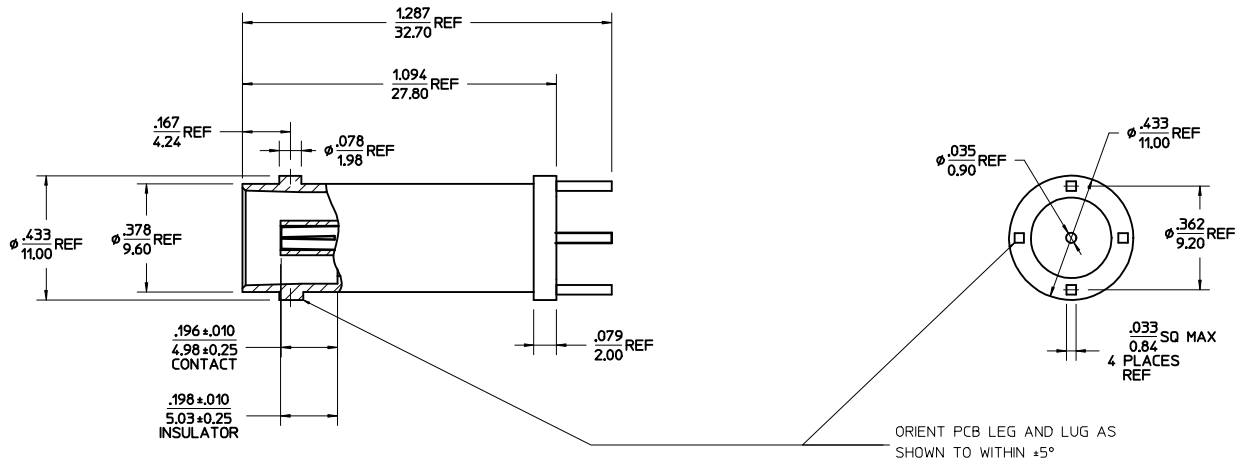


MATERIALS AND FINISHES

BODY BRASS  
PLATED NICKEL

CENTER CONTACT PHOSPHOR BRONZE  
PLATED GOLD (10 MICRINCH MIN)

INSULATOR TEFLON



ORIENT PCB LEG AND LUG AS SHOWN TO WITHIN ±5°

PART # 73171-1250

PS-89675-0980	ELECTRO/MECH PERFORMANCE
SPECIFICATION	DESCRIPTION

CHG: RELEASE DRAWING. UPDATED BORDER. EC NO: URF2008-0107 DRW: ARBERTSON 2007/08/16 CHKD: 2007/08/16 APPR: JMLENER 2007/08/16	QUALITY SYMBOLS ▽=0 ▽=0	GENERAL TOLERANCES (UNLESS SPECIFIED)		DIMENSION STYLE		SCALE	DESIGN UNITS	THIRD ANGLE PROJECTION			
				IN/MM			INCH				
				mm	INCH	DRAWN BY	DATE	TITLE			
				4 PLACES ± --- ± ---	TEF	2002/03/26	BNC JACK 75 OHM VERTICAL PCB				
		3 PLACES ± --- ± ---	CHECKED BY	DATE	BNC-J/PCB						
		2 PLACES ± --- ± ---	SSS	2002/03/26	MOLEX INCORPORATED						
		1 PLACE ± --- ± ---	APPROVED BY	DATE	MATERIAL NO. 731711250						
		ANGULAR ±1/2°		GMH	2002/03/26	DOCUMENT NO. SD-73171-125		SHEET NO. 1 OF 1			
		DRAFT WHERE APPLICABLE MUST REMAIN WITHIN DIMENSIONS		SIZE C		THIS DRAWING CONTAINS INFORMATION THAT IS PROPRIETARY TO MOLEX INCORPORATED AND SHOULD NOT BE USED WITHOUT WRITTEN PERMISSION					