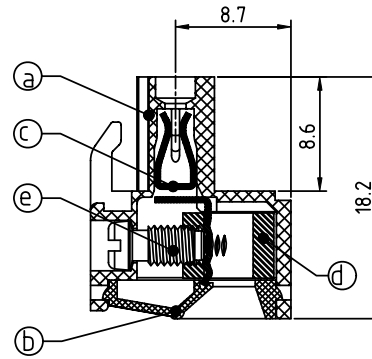
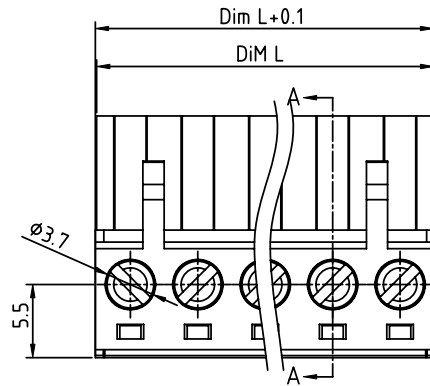
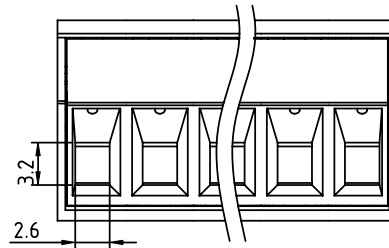
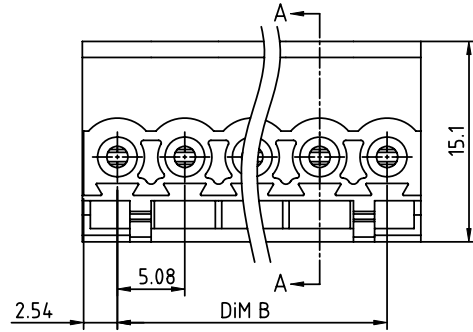


PRODUCT NUMBER	PITCH
TJxx51x600JOG	5.08 mm



SECTION A-A

Material

- Item (a) Terminal body: Thermoplastic (UL94V-0)
- Item (b) Terminal cover: Thermoplastic (UL94V-0)
- Item (c) Female contact: High conductivity copper Tin plated
- Item (d) Clamp: Brass, Ni plated
- Item (e) Terminal screw: Steel Zinc plating "-" slot type

Electrical cULus

- Voltage rating: 300V
- Current rating: 20A
- Solid wire (AWG): 12-24
- Stranded wire (AWG): 12-24
- Torque (Lb-In): 5
- Screw: M3
- Wire strip length: 7-8mm
- Withstanding Voltage: 1.6KV
- Operating temperature: -40°C to +115°C
- Safety Approval: us

DIMENSION

DIM L	N×5.08
DIM B	(N-1)×5.08

N=Number of poles

Poles	Tolerance DIM L&DIM B
2p-5p	±0.15
6p-10p	±0.20
11p-15p	±0.25
16p-20p	±0.30
21p-24p	±0.40

PART NO.: TJ xx 51 x 6 0 0 J O G

No. of poles	Color	RoHS compliant
02 2 poles	0 Black (RAL9005)	(lead<4%) In copper Alloy
03 3 poles	2 Red (RAL3001/D)	
...	3 Orange (RAL2011/P)	
...	4 Yellow (RAL1018/A)	
24 24 poles	5 Green (RAL6018/T)	
	6 Blue (RAL5015/A)	
	8 Grey (RAL7035/D)	
	9 White (RAL1102)	
	C Green (RAL6018/U)	

mat'l. code		surface ASME Y14.5 ✓	tolerance ASME Y14.5	projection 	product family TERMINAL BLOCK
ltr	ecn no	dr	date	tolerances unless otherwise specified	title TERMINAL BLOCK
				angles 	scale PLUGGABLE PLUG, CONTACT ON UP SIDE
				X±0.5	dwg no TJxx51x600JOG
				X.X±0.3	sheet 1 of 1 size A4
				X'±1"	X.XX±0.1
		dr	HANKE FENG	032214	
		enr	HANKE FENG	032214	
		chr	SHI JUN	032214	
		appd	SHI JUN	032214	
sheet index	revision sheet	A	1		type CUSTOMER Drawing