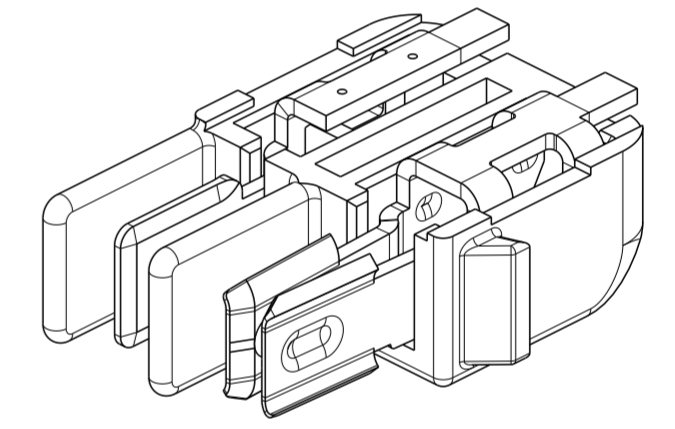
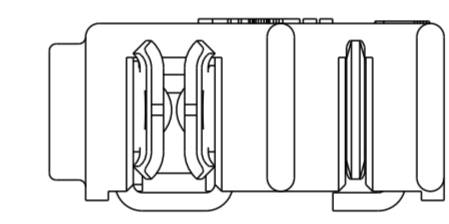
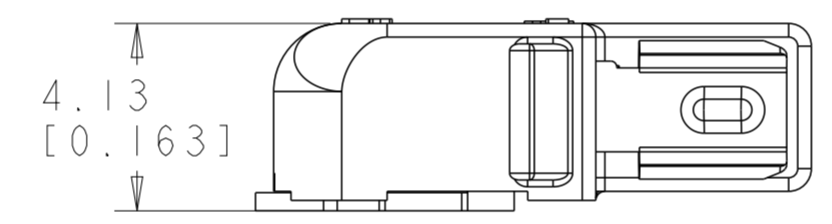
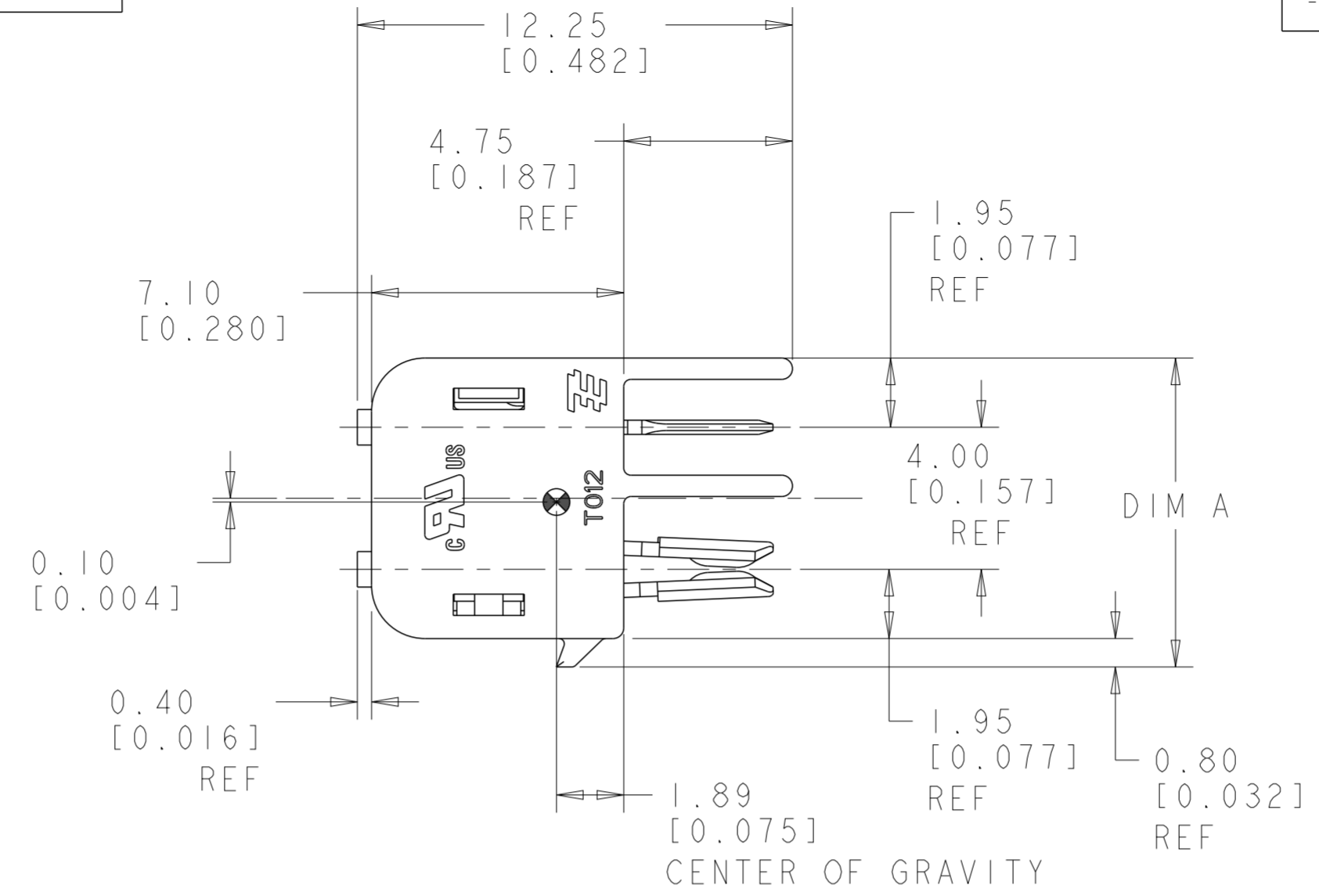


THIS DRAWING IS UNPUBLISHED. RELEASED FOR PUBLICATION 20
 © COPYRIGHT 20 BY - ALL RIGHTS RESERVED.

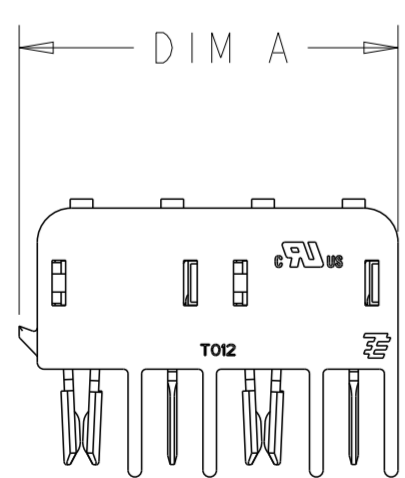
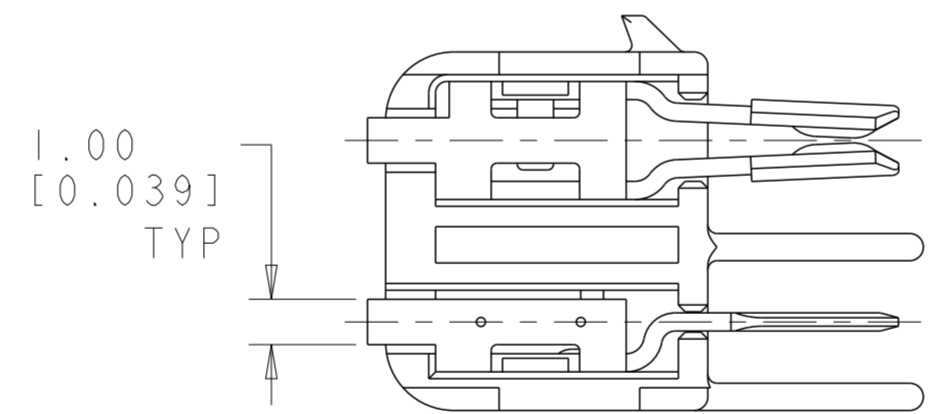
LOC		DIST		REVISIONS			
P	LTR	DESCRIPTION	DATE	DWN	APVD		
	A	REVISED PER ECR-14-005938	24APR2014	RS	DD		

NOTES:

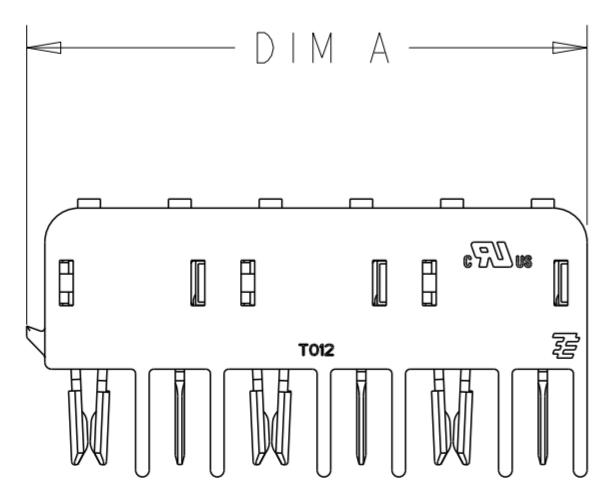
- 1. MATERIALS AND FINISH
 - HOUSING: LCP
 - CONTACTS: COPPER ALLOY, FINISH: GOLD
- 2. PRODUCT TO COMPLY WITH DIRECTIVE 2002/95/EC (ROHS)
- 3. PACKAGED IN TAPE AND REEL PER EIA-481 SPECIFICATIONS



2213288-1/
1-2213288-1
SHOWN



2213288-2/
1-2213288-2
SCALE 3:1



2213288-3/
1-2213288-3
SCALE 3:1

POSITION	COLOR	DIM A	PART NO.
6	BLACK	24.70	1-2213288-3
4	BLACK	16.70	1-2213288-2
2	BLACK	8.70	1-2213288-1
6	NATURAL	24.70	2213288-3
4	NATURAL	16.70	2213288-2
2	NATURAL	8.70	2213288-1

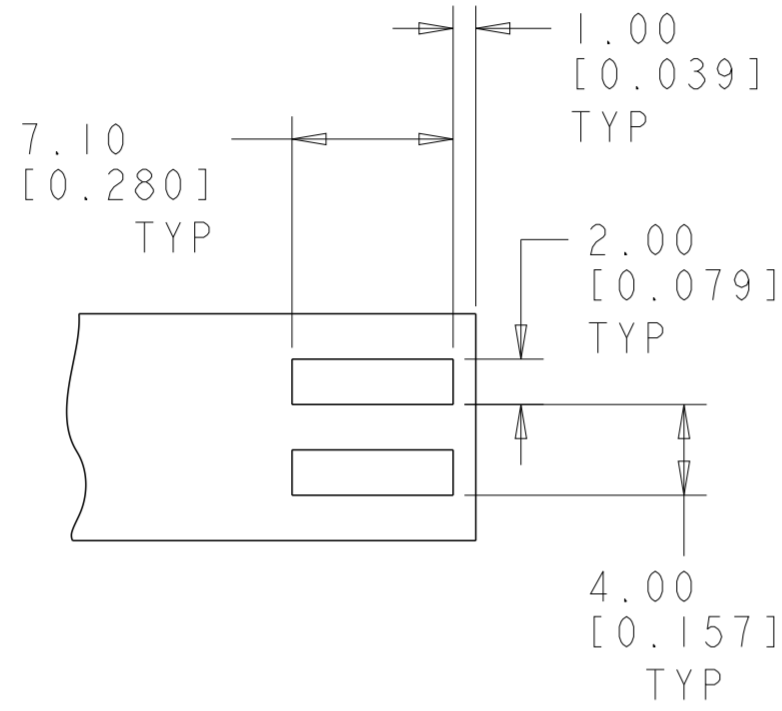
THIS DRAWING IS A CONTROLLED DOCUMENT.

DIMENSIONS:	TOLERANCES UNLESS OTHERWISE SPECIFIED:	DWN	RAVLS	09APR2013
mm	0 PLC ±	CHK	D. DECKER	09APR2013
	1 PLC ±0.13	APVD	D. DECKER	09APR2013
	2 PLC ±0.13	PRODUCT SPEC	108-2342	
	3 PLC ±0.013	APPLICATION SPEC	114-13225	
	4 PLC ±	WEIGHT	-	
ANGLES	±1°	Customer Drawing	SCALE 6:1	SHEET 1 OF 2
FINISH				REV A

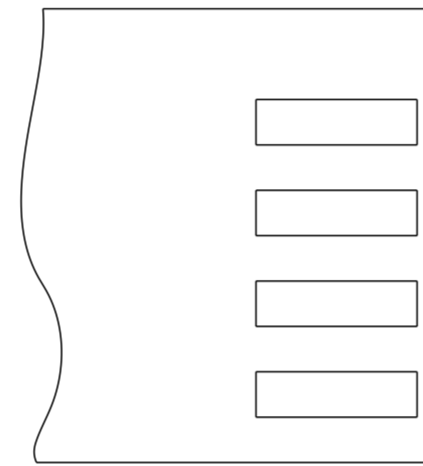
STE TE Connectivity
 NAME: CONNECTOR ASSEMBLY, HERMAPHRODITIC BLADE AND RECEPTACLE, WITH LATCH
 SIZE: A200779 CAGE CODE: C-2213288
 RESTRICTED TO: -

THIS DRAWING IS UNPUBLISHED. RELEASED FOR PUBLICATION 20
 © COPYRIGHT 20 BY - ALL RIGHTS RESERVED.

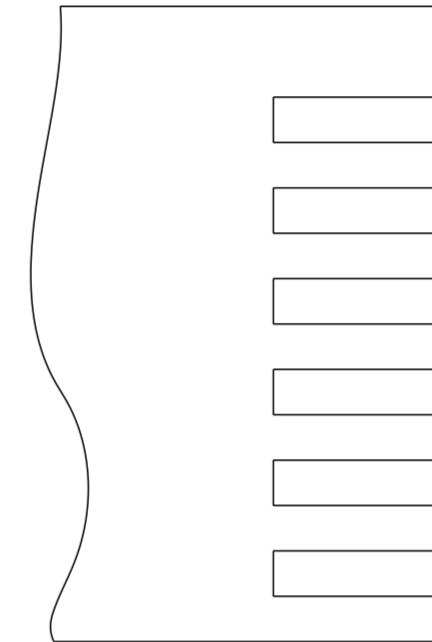
LOC		DIST		REVISIONS			
P	LTR	DESCRIPTION	DATE	DWN	APVD		
-	-	SEE SHEET 1	-	-	-		



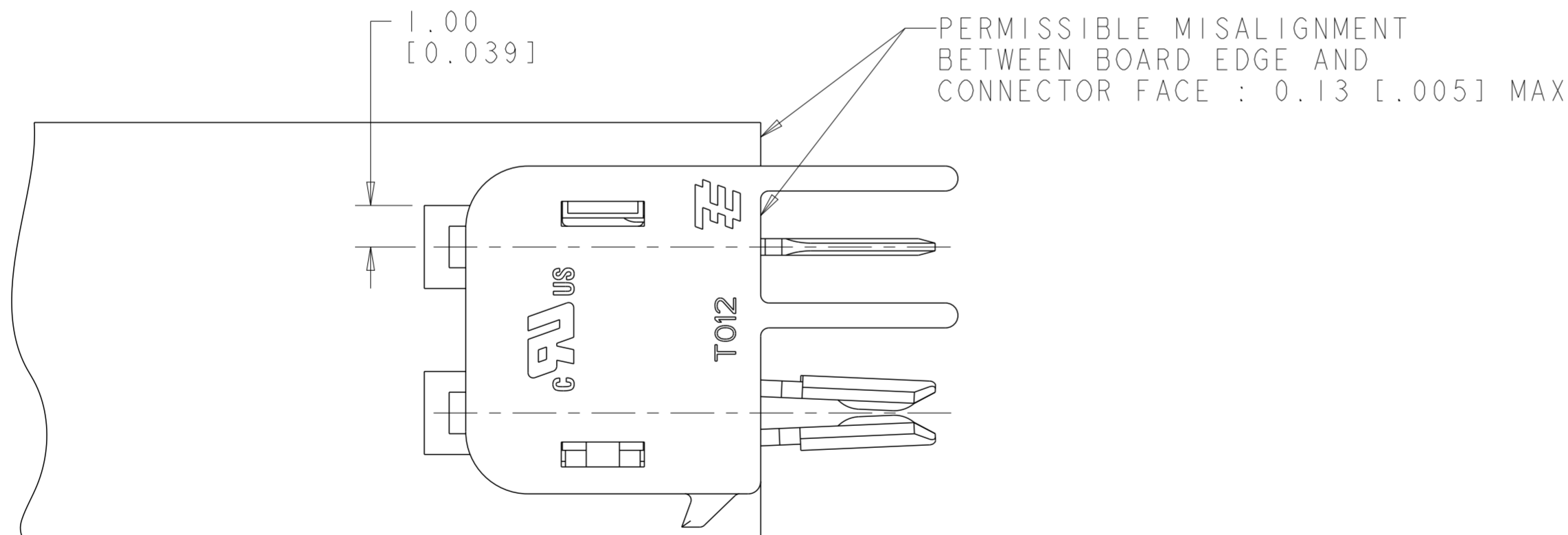
RECOMMENDED PCB LAYOUT FOR 2213288-1 & 1-2213288-1



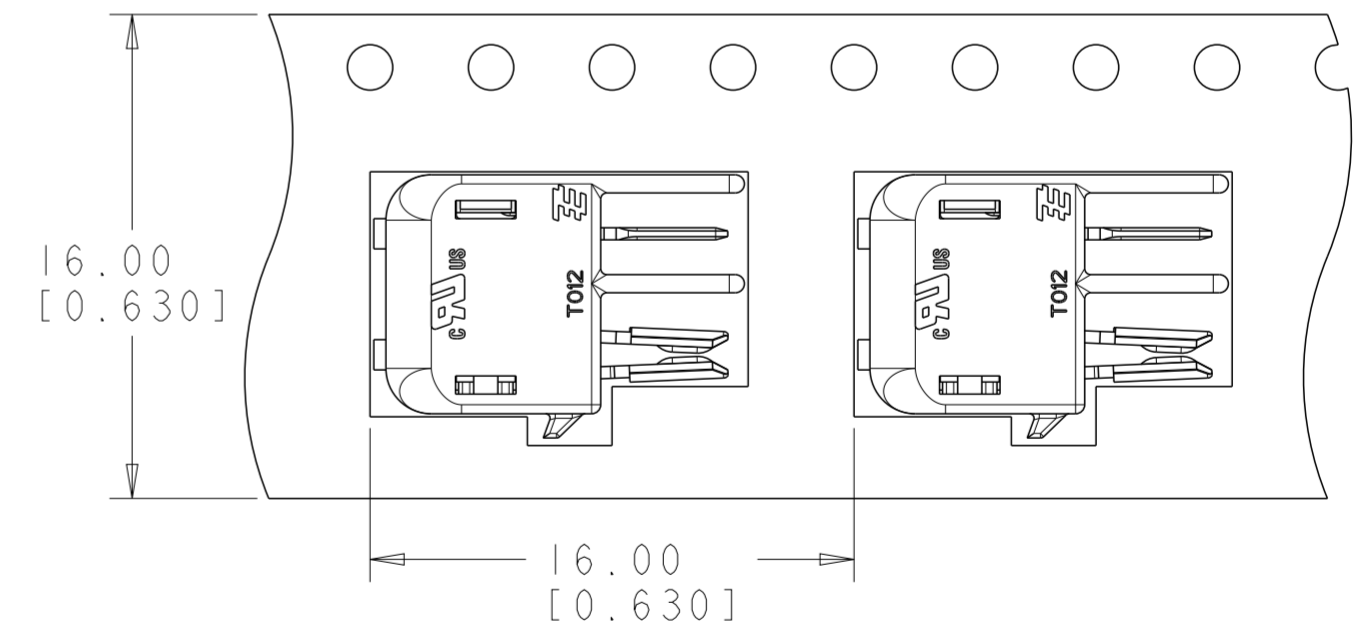
RECOMMENDED PCB LAYOUT FOR 2213288-2 & 1-2213288-2



RECOMMENDED PCB LAYOUT FOR 2213288-3 & 1-2213288-3



SCALE 8:1



TO BE PACKAGED AS SHOWN SCALE 4:1

THIS DRAWING IS A CONTROLLED DOCUMENT.		DWN RAVLS 09APR2013	STE TE Connectivity	
		CHK D. DECKER 09APR2013		
		APVD D. DECKER 09APR2013	NAME CONNECTOR ASSEMBLY, HERMAPHRODITIC BLADE AND RECEPTACLE, WITH LATCH	
DIMENSIONS: mm		PRODUCT SPEC 108-2342	SIZE A2	CAGE CODE 00779
TOLERANCES UNLESS OTHERWISE SPECIFIED:		APPLICATION SPEC 114-13225	DRAWING NO C-2213288	RESTRICTED TO -
MATERIAL		WEIGHT -	SCALE 6:1	SHEET 2 OF 2
		Customer Drawing		REV A