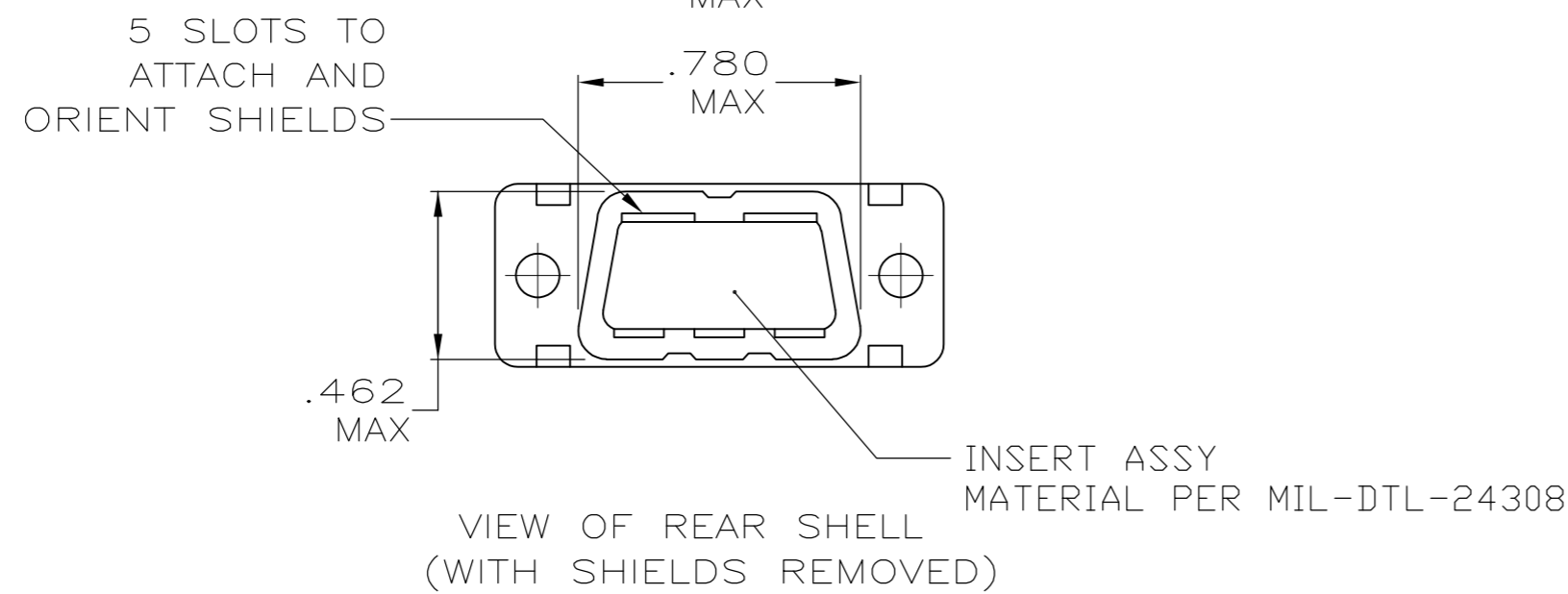
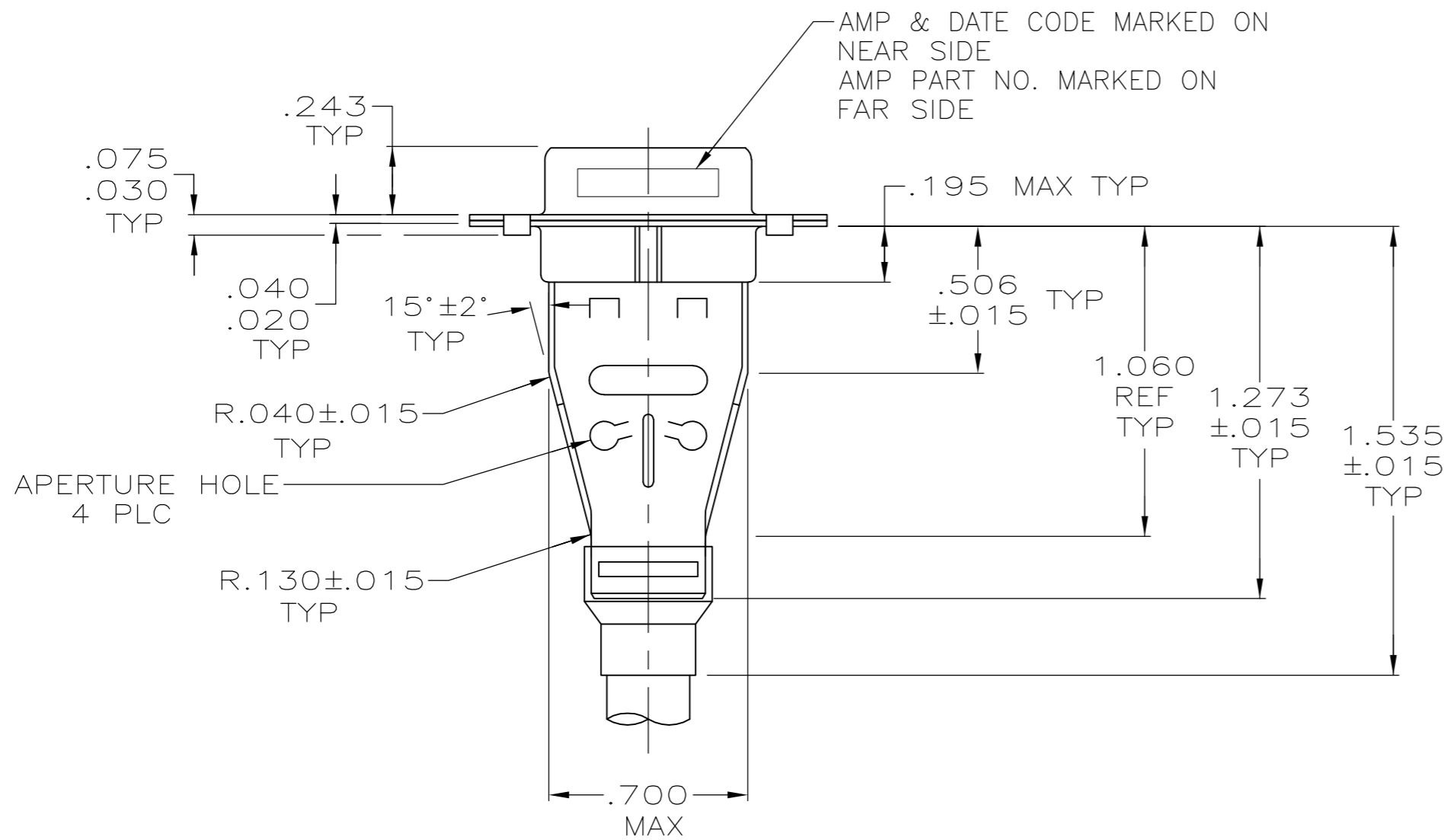
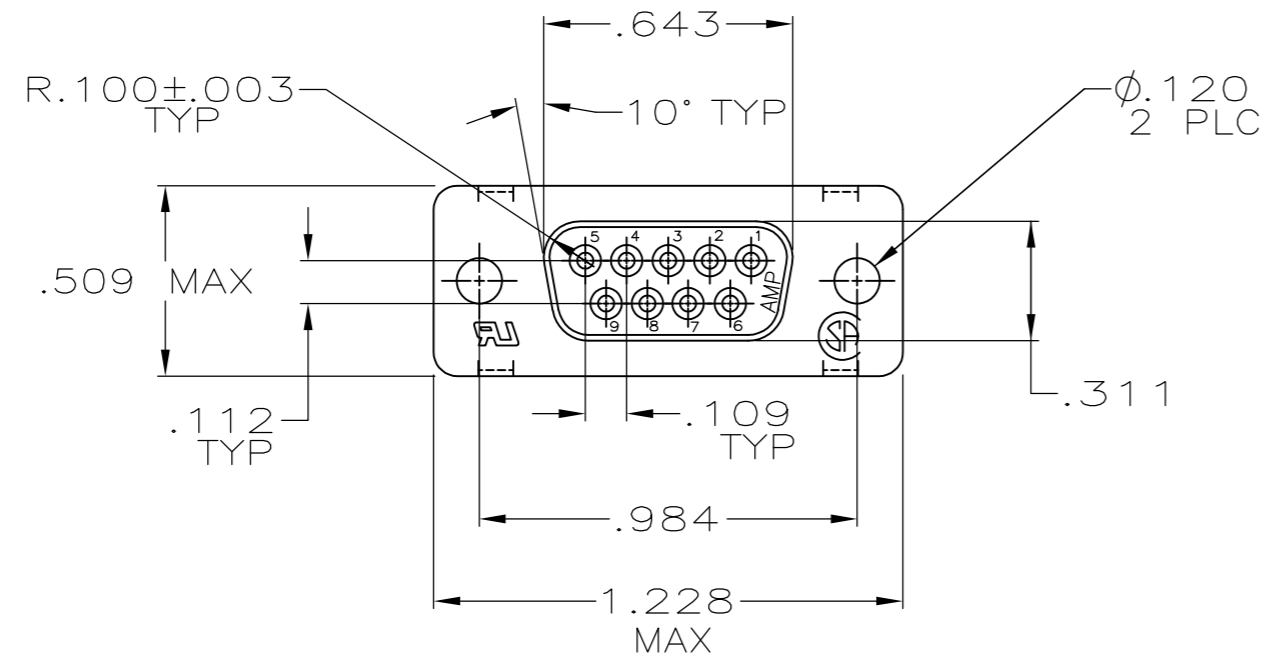
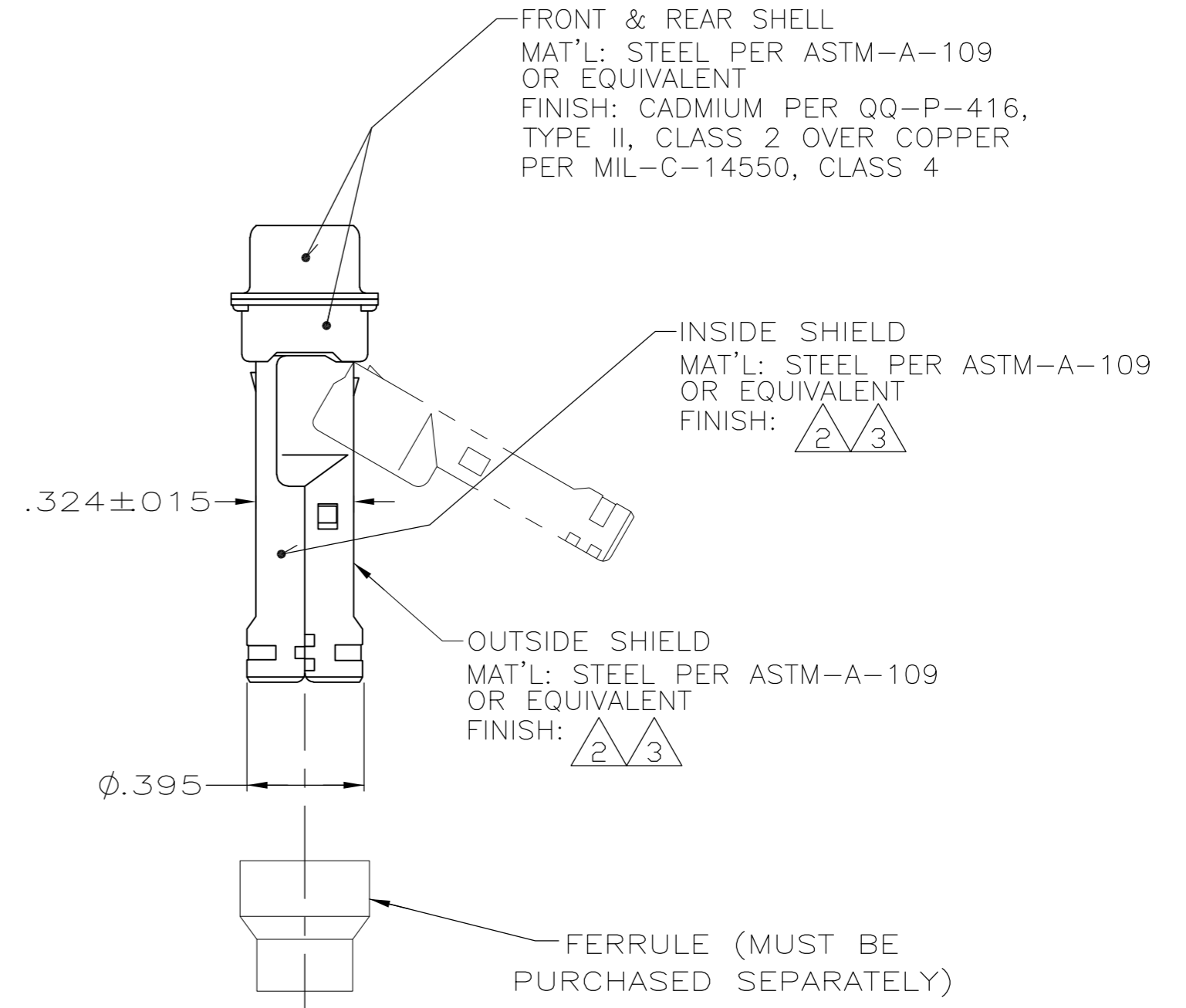


THIS DRAWING IS UNPUBLISHED. RELEASED FOR PUBLICATION  
 © COPYRIGHT - By - ALL RIGHTS RESERVED.

LOC		DIST		REVISIONS			
P	LTR	DESCRIPTION	DATE	DWN	APVD		
D		REV PER ECO 15-005911	5-28-15	CT	DM		



- CONTACTS ARE INCLUDED WITH CONNECTOR (PACKAGED SEPARATELY)  
 MAT'L: BRASS PER ASTM-B-16 OR BERYLLIUM COPPER PER ASTM-B-194.  
 FINISH: GOLD PER MIL-G-45204, TYPE II, GRADE C, CLASS 1 IN CONTACT MATING AREA. .000010 MIN GOLD PER MIL-G-45204 ON CONTACT BODY OVER NICKEL .000050 MIN THICK PER QQ-N-290.
- FINISH: CADMIUM PER QQ-P-416, TYPE II, CLASS 2, OVER COPPER PER MIL-C-14550 CLASS 4.
- FINISH: ZINC PLATED PER ASTM-B-633 .000200-.000400 THK WITH SUPPLEMENTARY CHROMATE (Cr3+).



3	5-1218949-1
2	1218949-1
REMARKS	PART NO

THIS DRAWING IS A CONTROLLED DOCUMENT.		DWN	C.C.THOMAS	11-9-00		TE Connectivity																						
DIMENSIONS: INCHES		CHK	R.GROSS	11-9-00		NAME																						
TOLERANCES UNLESS OTHERWISE SPECIFIED:		APVD	R.GROSS	11-9-00		AMPLIMITE KIT,SERIES 109, SIZE 1,9 POSN., WITH SHIELDING HARDWARE																						
<table border="1"> <tr><td>0 PLC</td><td>±</td><td>-</td></tr> <tr><td>1 PLC</td><td>±</td><td>-</td></tr> <tr><td>2 PLC</td><td>±</td><td>-</td></tr> <tr><td>3 PLC</td><td>±</td><td>.005 [0.13]</td></tr> <tr><td>4 PLC</td><td>±</td><td>-</td></tr> <tr><td>ANGLES</td><td>±</td><td>-</td></tr> <tr><td>FINISH</td><td></td><td></td></tr> </table>		0 PLC	±	-		1 PLC	±	-	2 PLC	±	-	3 PLC	±	.005 [0.13]	4 PLC	±	-	ANGLES	±	-	FINISH			PRODUCT SPEC	-	SIZE	CAGE CODE	DRAWING NO
0 PLC	±	-																										
1 PLC	±	-																										
2 PLC	±	-																										
3 PLC	±	.005 [0.13]																										
4 PLC	±	-																										
ANGLES	±	-																										
FINISH																												
MATERIAL	-	APPLICATION SPEC	-	A2	00779	C=1218949	-																					
CUSTOMER DRAWING		WEIGHT	-	SCALE	2:1	SHEET	1 of 1																					
				REV	D																							