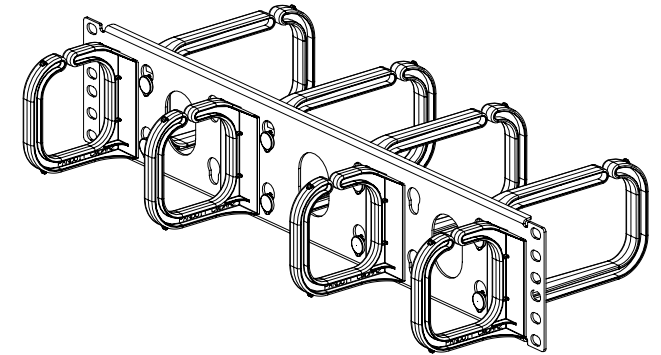
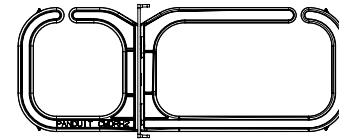
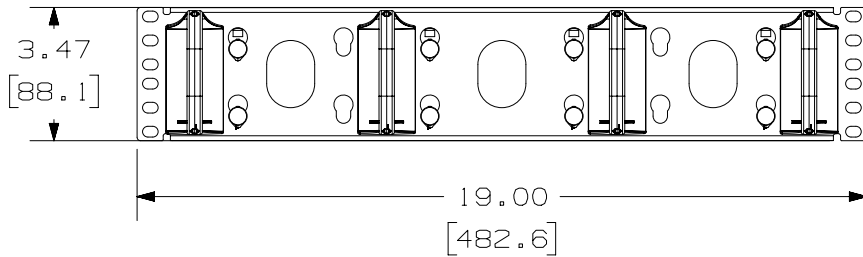
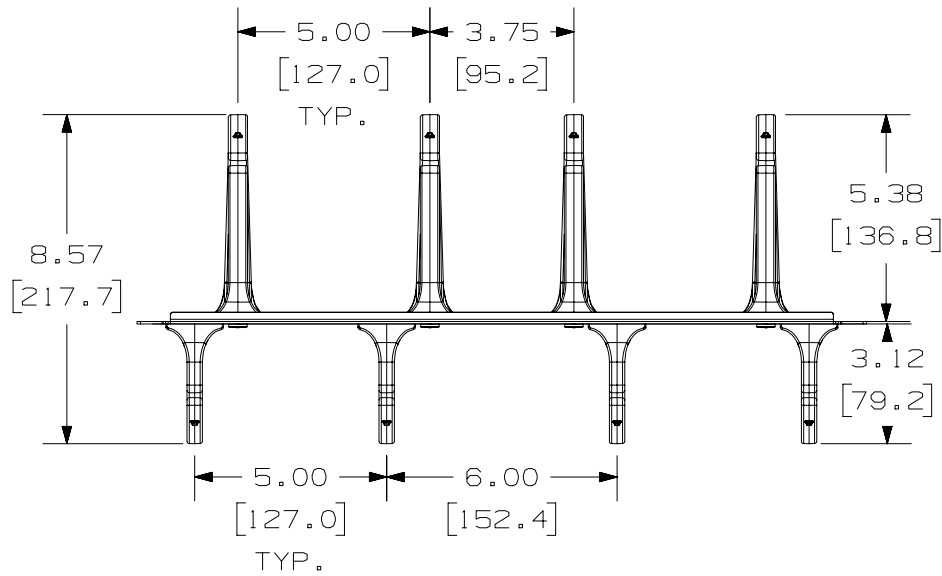


2

1

THIS COPY IS PROVIDED ON A RESTRICTED BASIS AND IS NOT TO BE USED IN ANY WAY DETRIMENTAL TO THE INTERESTS OF PANDUIT CORP.



PANDUIT P/N	WEIGHT
CMPH2	1.8 LB/EACH PC .84 kg/EACH PC

- NOTES:
- SEE CATALOG FOR COMPLETE LIST OF PARTS APPLICABLE FOR USE WITH THIS PART.
 - DIMENSIONS IN PARENTHESES ARE IN METRIC.
 - PARTS INCLUDED:
4- SMALL D-RINGS
4- LARGE D-RINGS
1- METAL STAMPING
4- 12-24 SCREWS
 - FOR OPTIONAL SNAP ON COVER USE PART NUMBER CMPH2C.



A

A

REV	DATE	BY	CHK	APR	DESCRIPTION	ECN
05A	3-26-15	TWV	MACA	KRKE	BOM ADJUSTMENT; REVISED NOTES.	00072-15
04A	4-1-13	BAME	FGR	CMK	REVISED AND REDRAWN; ALL PREVIOUS REVS OMITTED	00072-15

TITLE OPEN CABLE MANAGEMENT PANEL HORIZONTAL (CMPH2) CUSTOMER DRAWING					
ITEM REVISION NAME M00072AB/05					
DATASET FILE NAME M00072AB_DC/05A					
UNLESS OTHERWISE SPECIFIED, DIMENSIONAL TOLERANCES ARE: IN (mm)					
DRAWN BY JSP			MATERIAL: STAMPING- BLACK POWDER COATED STEEL		
DATE 7-16-98			RINGS- BLACK PC		
CHK FJD			DRAWING NUMBER: 00072-15		
SCALE NONE			SHT 1 OF 1		
THIRD ANGLE PROJECTION			SIZE A		

D101000DA/15

2

1