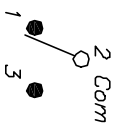
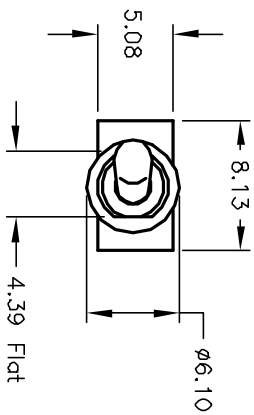


RECOMMENDED P.C.B. LAYOUT

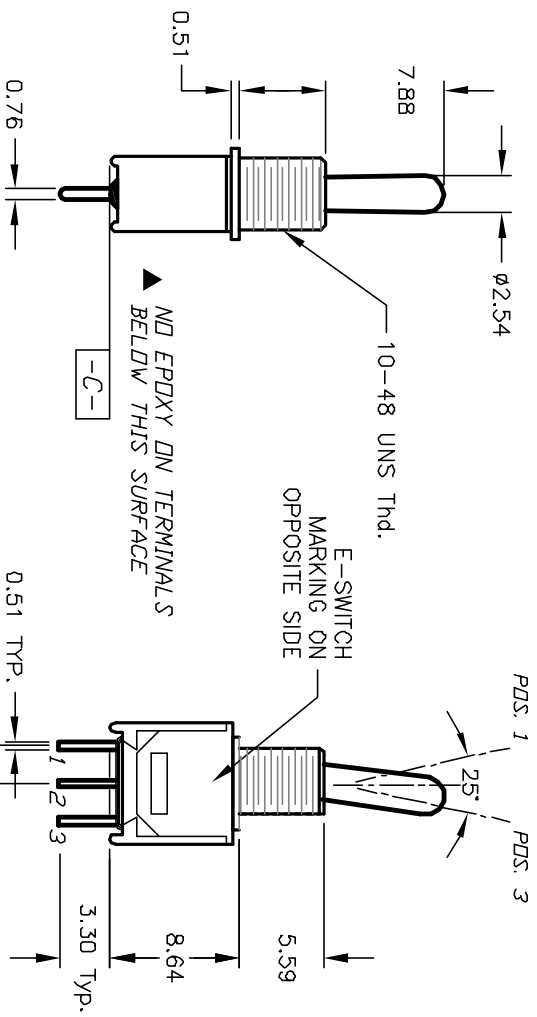


CIRCUIT: SPDT  
CONTACT CONFIGURATION

SWITCH FUNCTION		
POS. 1	POS. 2	POS. 3
DN	NONE	DN
2-3	DPEN	2-1

NOTES:

1. ALL DIMENSIONS IN MM
2. GENERAL TOLERANCE: X.X=±0.4  
X.XX=±0.25
3. TERM. NOS. FOR REF. ONLY
4. CONTACT RATING: 3A @120VAC OR 28VDC, 1A @250VAC
5. FIXED TERM/MOVING CONTACT  
COPPER ALLOY W/SILVER PLATE.
6. ELECTRIC LIFE: 50,000 make-and-break cycles at full load.
7. INSULATION RESISTANCE: 1,000 M ohm min.
8. DIELECTRIC STRENGTH: 1,000 V RMS @sea level.
9. OPERATING TEMP. -30°C to 85°C
10. DESIGNATE MAJOR DIMENSION



NO EPOXY ON TERMINALS  
BELOW THIS SURFACE

E-SWITCH  
MARKING ON  
OPPOSITE SIDE

-C-

**E-SWITCH®**

REV.	ECN NO.	DESCRIPTION	DATE	CHKD
A	12738	RELEASED FOR PRODUCTION	1/16/03	CJB

TITLE	SCALE	DATE	DR	DWG	REV
200 MSP-1 TS B1 M2 Q E	2:1	1/16/03	CJB	T211152	A

THE INFORMATION CONTAINED IN THIS DOCUMENT IS PREPARED FOR E-SWITCH AND IS NOT TO BE COPIED OR TRANSMITTED