

SPECIFICATIONS

ELECTRICAL

PS/2

INPUT: 5V @ 25mA max

OUTPUT: CMOS/TTL

MECHANICAL

BALL DIAMETER: 2.25"

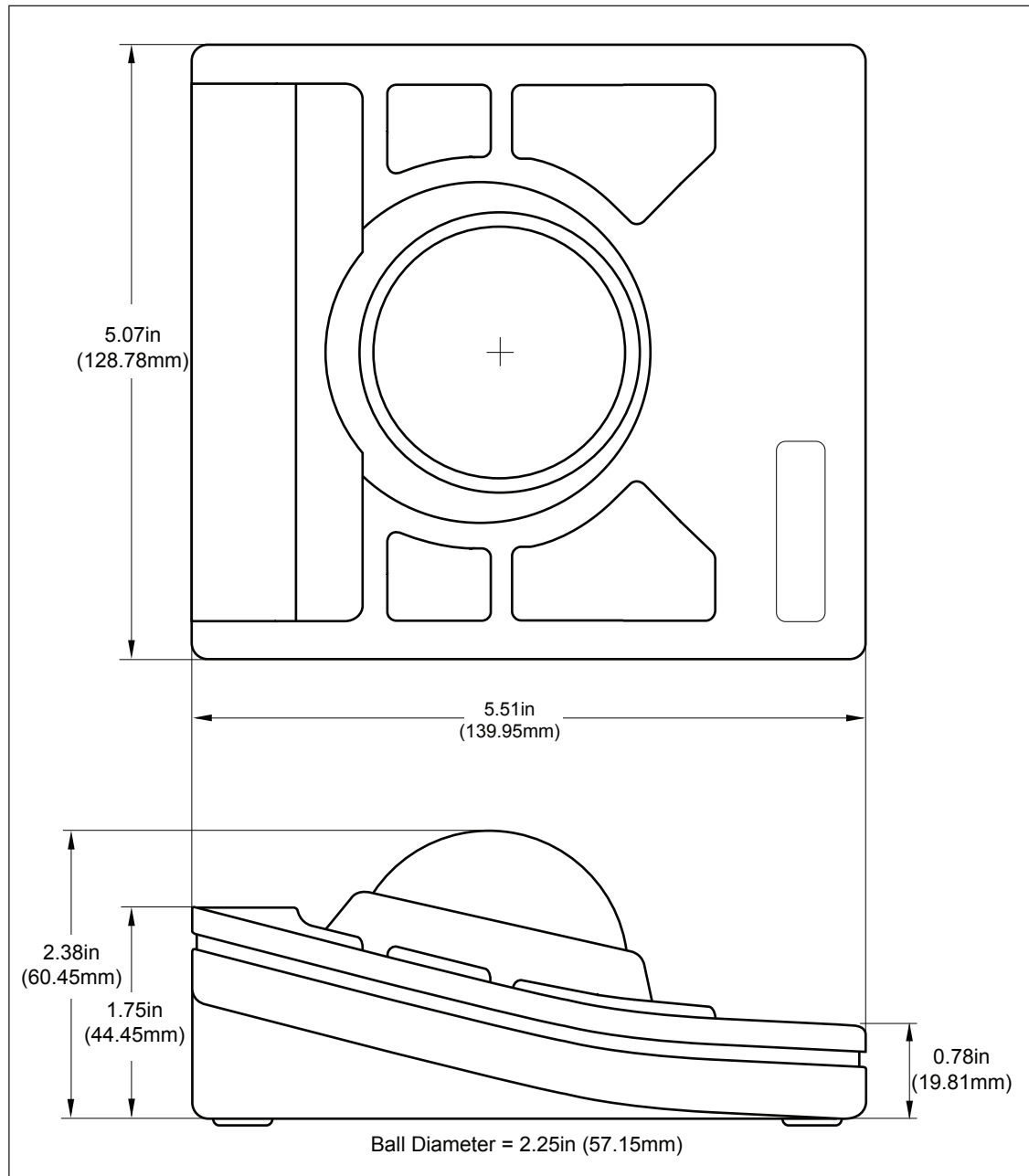
BALL ROTATION: Continuous

TRACKING FORCE: 12g

WEIGHT: 460g

LIFE CYCLE (BALL ROTATIONS): 5 Million

RoHS compliant



CH
Products

P/N

DT2253X20V00

REV
A

DESCRIPTION

DT225 Gray Desktop Trackball, PS/2

PROPRIETARY AND CONFIDENTIAL

THE INFORMATION CONTAINED IN THIS DRAWING IS THE SOLE PROPERTY OF CH PRODUCTS. ANY REPRODUCTION IN PART OR AS WHOLE WITHOUT THE WRITTEN PERMISSION OF CH PRODUCTS IS PROHIBITED.