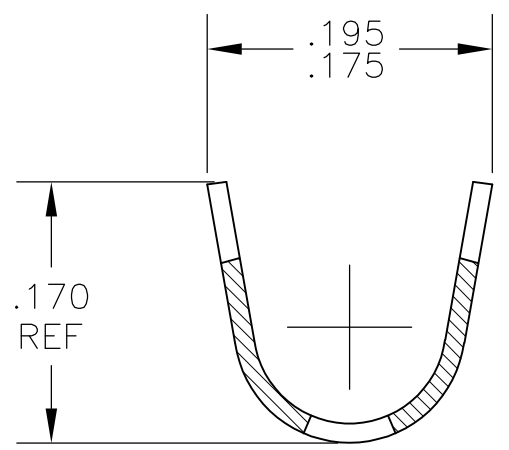
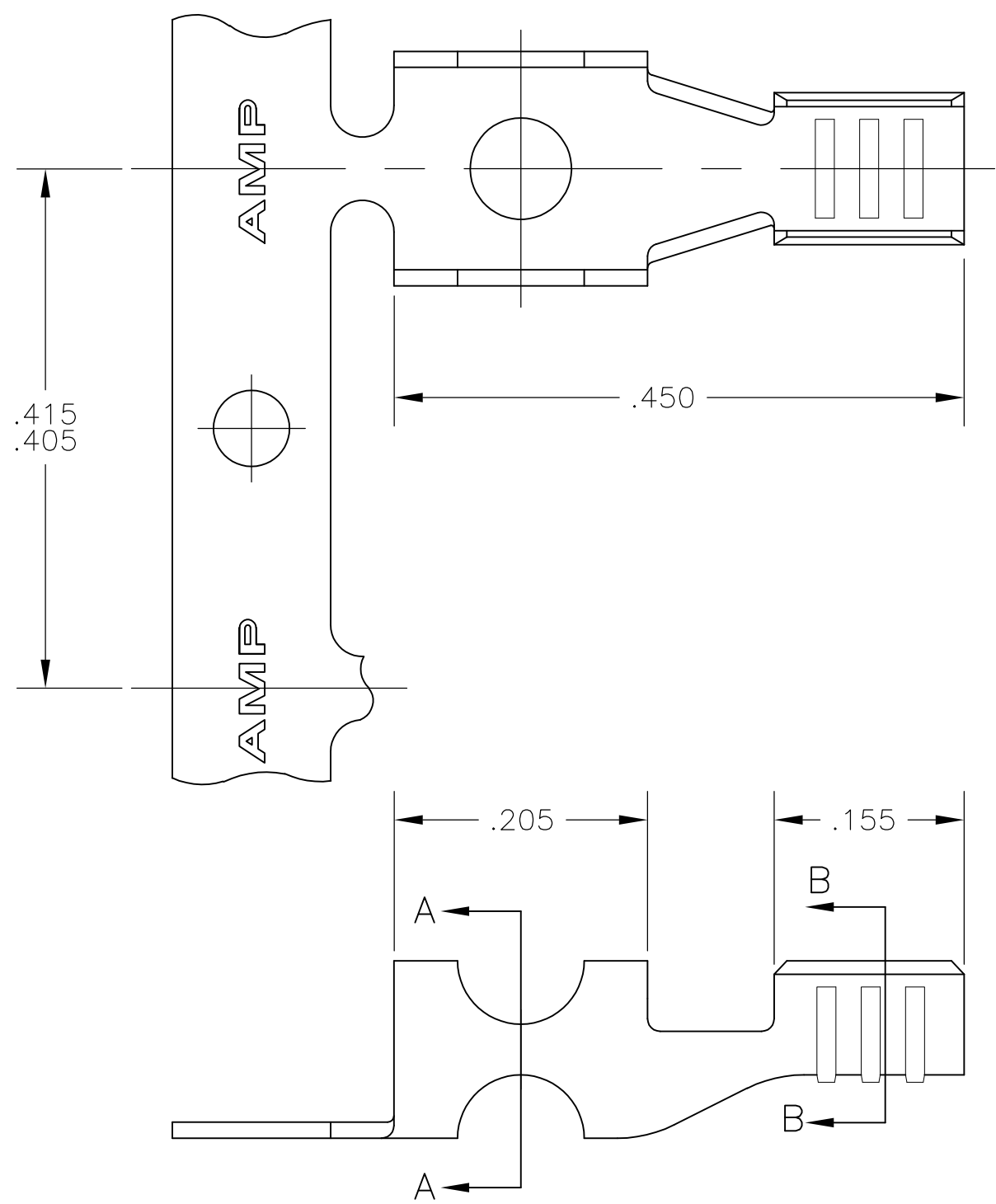
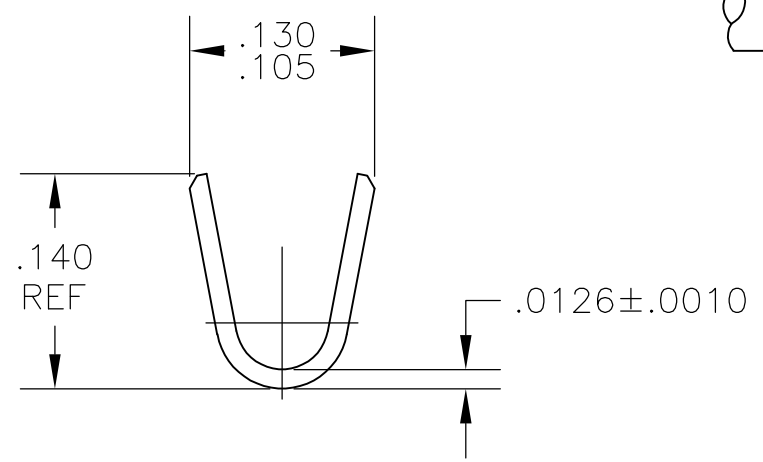


THIS DRAWING IS UNPUBLISHED. RELEASED FOR PUBLICATION  
 © COPYRIGHT - BY TYCO ELECTRONICS CORPORATION. ALL RIGHTS RESERVED.

LOC	DIST	REVISIONS					
AF	50	P	LTR	DESCRIPTION	DATE	DWN	APVD
			E1	ECR-07-010352(REDRAWN IN AUTOCAD)	23FEB07	HMR	GP

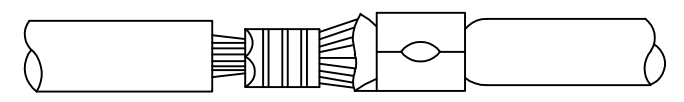


SECTION A-A

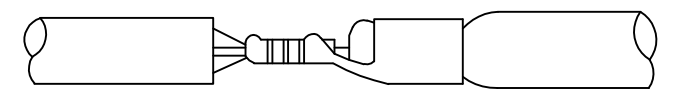


SECTION B-B

- 1 CONTINUOUS STRIP ON REELS.
- 2 WIRE RANGE: 1600 TO 4100 CMA
- 3 INSULATION RANGE: .105 - .145 DIA.



THROUGH CONNECTION



OBSOLETE	<del>.000080 MIN TIN</del>	<del>60806-2</del>
	NONE	60806-1
	FINISH	PART NO

THIS DRAWING IS A CONTROLLED DOCUMENT.		DWN	RAGHAVENDRA	23FEB07	<b>tyco</b> <b>Electronics</b>	Tyco Electronics Corporation Harrisburg, Pa 17105-3608					
DIMENSIONS: INCHES		CHK	G.D.PORTA	23FEB07		NAME	SPLICE				
TOLERANCES UNLESS OTHERWISE SPECIFIED:		APVD	G.D.PORTA	23FEB07	PRODUCT SPEC		SIZE	CAGE CODE	DRAWING NO	RESTRICTED TO	
0 PLC ± -		PRODUCT SPEC	-		APPLICATION SPEC	-		A3	00779	C-60806	-
1 PLC ± -		WEIGHT	-		SCALE	8:1		SHEET	1	OF	1
2 PLC ± -		MATERIAL		O81 BRASS	FINISH		SEE TABLE	REV	E1		
3 PLC ± .010		CUSTOMER DRAWING									
4 PLC ± -											
ANGLES ± -											