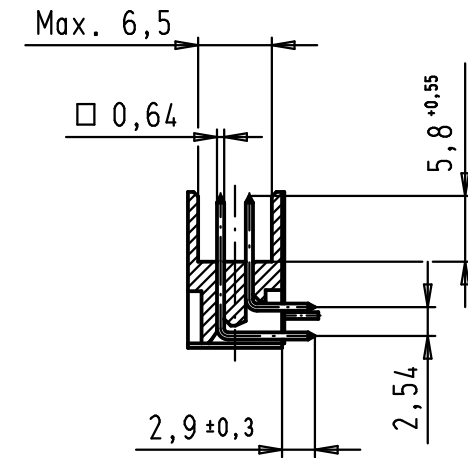
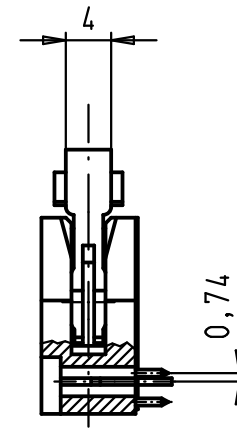
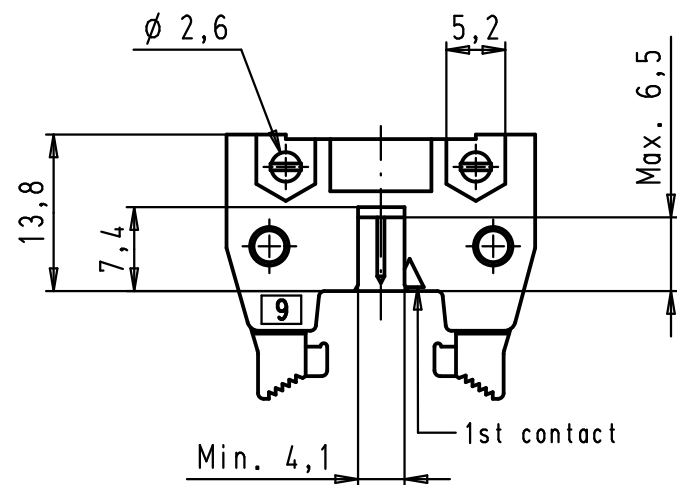
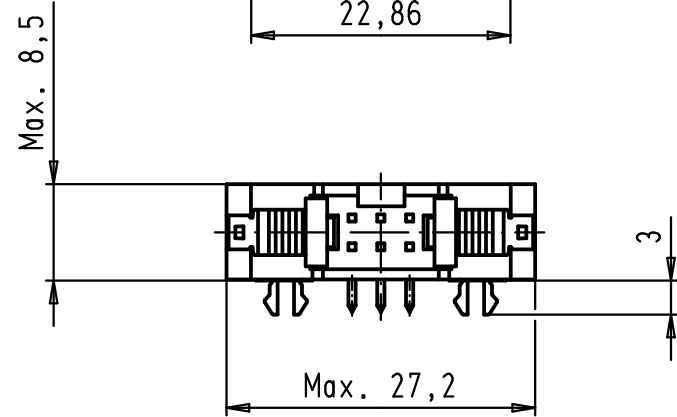
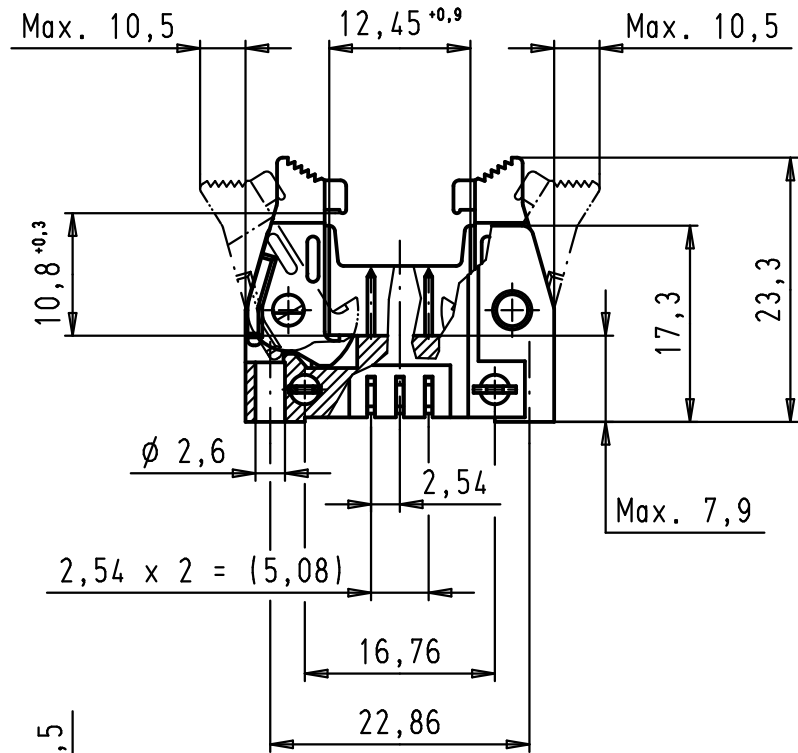
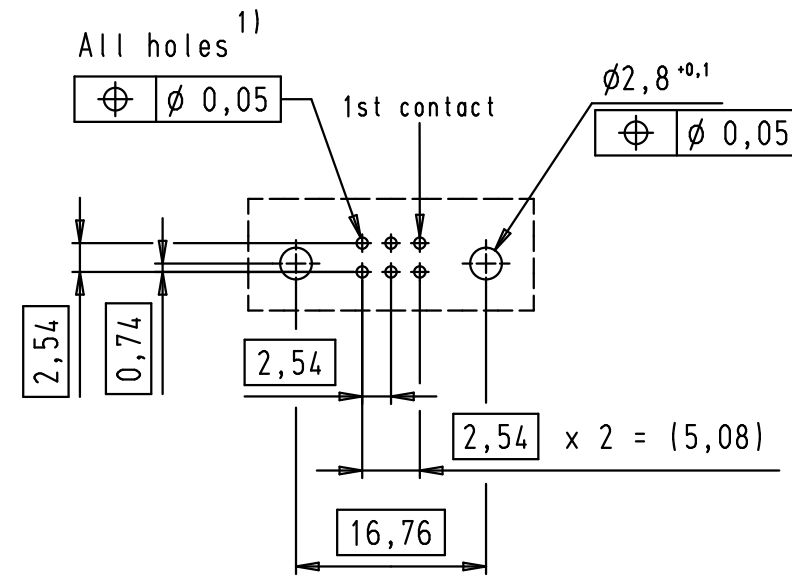


Alle Rechte vorbehalten/ All rights reserved

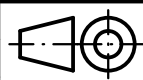



PCB layout, component side, thickness 1,6 mm



1) Solder pins for PCB connections
 $\phi 1 \pm 0,1$ according to IEC 60 326-3

09 18 506 7963	3
09 18 506 6963	2
09 18 506 5963	0,76 $\mu\text{m Au}$
Part number	Performance level

			Det.	Name	 All Dim. in mm Orig. Size DIN A 3	SEK 18 Male Connector Standard 06 poles Angled pins, board locks and short locking levers	Maßstab/ Scale 1,5:1
		Detail.	25/04/02	CV			
		Insp.					
		Stand.					
34890	13/06/08	PK	HARTING EURL F-95972 Paris			TB 09 18 506 X963	Blatt/ Page 1 / 1
29778	25/04/02	CV	Mod.	Det.			