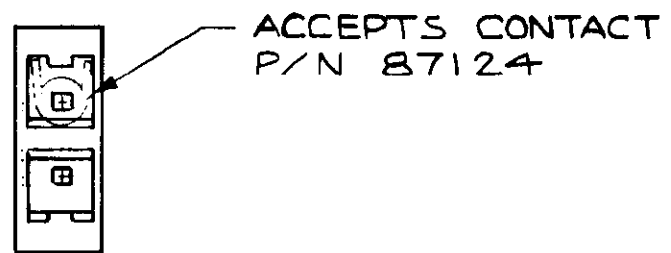


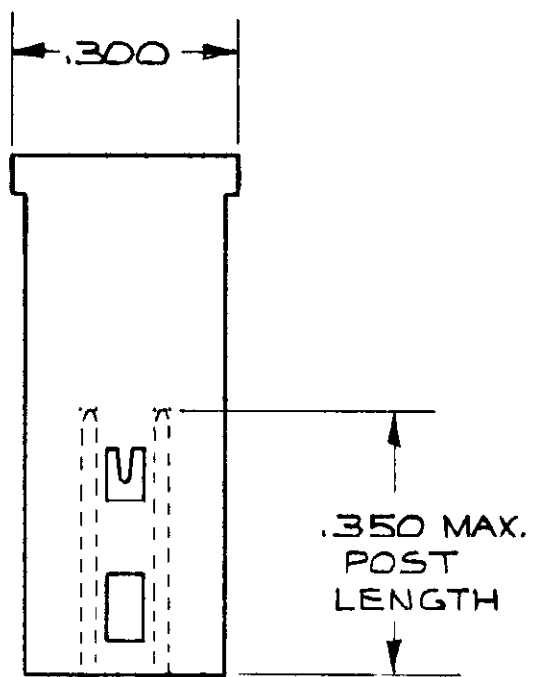
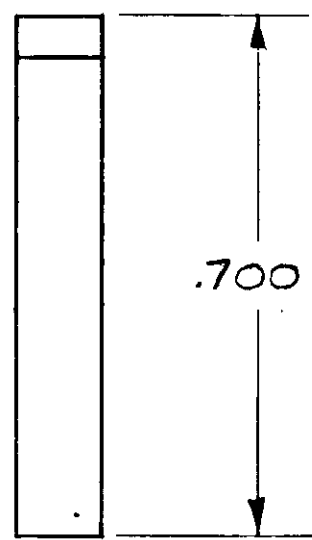
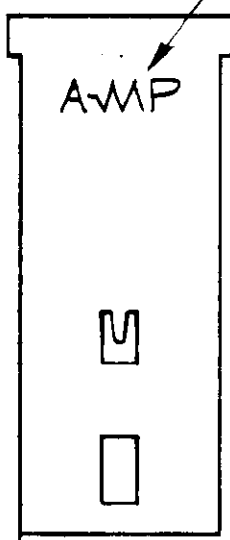
© 1972 BY AMP INCORPORATED. ALL RIGHTS RESERVED. AMP PRODUCTS COVERED BY PATENTS AND/OR PATENTS PENDING.

REVISIONS				
ZONE	LTR	DESCRIPTION	DATE	APPROVED
	D	RELEASED WAS CUST 5407-71	1-31-73	DH
	JL	P/N WAS -1 AS SHOWN PER ECN-792	12-13-74	
	02	REMOVED 94 V.O ECN-840	1-31-75	
	A	ECN AR2048	7/8/88	MOM
✓	B	REV LOC & DIST AD-4171	11-22-89	BF
✓✓	C	REV PER AD-4680	9-28-90	(G)

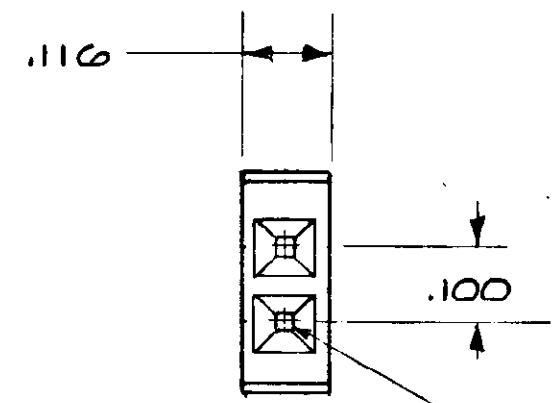
87176-2 1. AS SHOWN.



MOLDED CHARACTERS THIS END



.025 SQUARE POST SHOWN FOR REFERENCE ONLY



CAVITY ACCEPTS .025 SQUARE POST (TYPICAL)

UNLESS OTHERWISE SPECIFIED DIMENSIONS ARE IN INCHES TOLERANCES ON: DECIMALS ± .005 ANGLES ± #	CONTRACT NO.	AMP INCORPORATED HARRISBURG, PENNSYLVANIA	
	DR. <i>J. Quirk</i> 12-14-72	NAME HOUSING, LOCKING CLIP	
	CHK <i>J.S. Wade</i> 1/31/73	.025 SQUARE POST	
	APPD <i>J. Penkew</i> 1-31-73	2 POSITION, .100 CENTERS	
MATERIAL GLASS FILLED POLYESTER COLOR - BLACK	REL <i>J. Penkew</i> 1/3/73	SIZE B	CODE IDENT NO. 00779
	DSGN APPD	NUMBER 87176	
	OTHER APPD	SCALE 4-1	SHEET