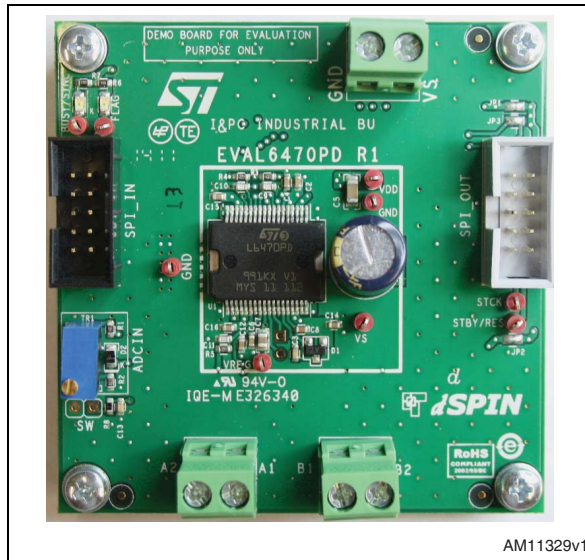


## Fully integrated stepper motor driver mounting the L6470 in a high power PowerSo package

Data brief



### Description

The EVAL6470PD demonstration board is a fully integrated microstepping motor driver. In combination with the STEVAL-PCC009V2 communication board and SPIN evaluation software, the board allows the engineer to investigate all the features of the L6470 device. In particular, the board can be used to check the voltage mode driving and to regulate the L6470 parameters in order to fit the application requirements. The 4-layer layout and the PowerSO package allow the top thermal performance to be obtained. The EVAL6470PD supports the daisy chain configuration making it suitable for the evaluation of the L6470 in multi motor applications.

### Features

- Voltage range from 8 V to 45 V
- Phase current up to 3 A<sub>r.m.s.</sub>
- Dual SPI connector (daisy chain configuration suitable)
- SW input
- FLAG and BUSY LED indicators
- Adjustable supply voltage compensation
- High thermal performance ( $R_{thj-a}$  12 °C/W typical)
- Suitable for use in combination with the STEVAL-PCC009V2

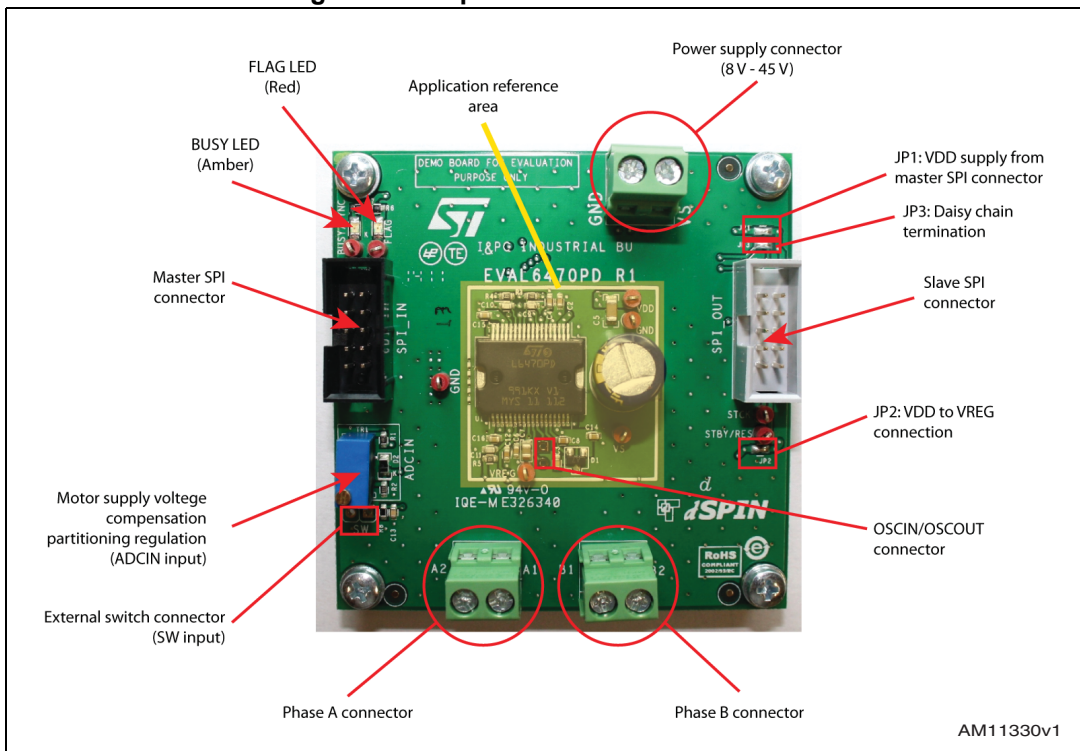
# Board description

**Table 1. EVAL6470PD specifications**

Parameter	Value
Supply voltage (VS)	8 to 45 V
Maximum output current (each phase)	3 A <sub>r.m.s.</sub>
Logic supply voltage (VREG)	Externally supplied: 3.3 V internally supplied: 3 V typical
Logic interface voltage (VDD)	Externally supplied: 3.3 V or 5 V internally supplied: VREG
Low level logic input voltage	0 V
High level logic input voltage	VDD <sup>(1)</sup>
Operating temperature	-25 to +125 °C
L6470PD thermal resistance junction to ambient	12 °C/W typical

1. All logic inputs are 5 V tolerant.

**Figure 1. Jumper and connector location**



AM11330v1

**Table 2. Jumper and connector description**

Name	Type	Function
M1	Power supply	Motor supply voltage
M2	Power output	Bridge A outputs
M3	Power output	Bridge B outputs
CN1	SPI connector	Master SPI
CN2	SPI connector	Slave SPI
CN3	NM connector	OSCIN and OSCOUT pins
CN4	NM connector	External switch input
TP1 (VS)	Test point	Motor supply voltage test point
TP2 (VDD)	Test point	Logic interface supply voltage test point
TP3 (VREG)	Test point	Logic supply voltage/L6470 internal regulator test point
TP5 (GND)	Test point	Ground test point
TP6 (GND)	Test point	Ground test point
TP8 (STCK)	Test point	Step clock input test point
TP9 (STBY/RES)	Test point	Standby/reset input test point
TP10 (FLAG)	Test point	FLAG output test point
TP11 (BUSY/SYNC)	Test point	BUSY/SYNC output test point

**Table 3. Master SPI connector pinout (J10)**

Pin number	Type	Description
1	Open drain output	L6470 BUSY/SYNC output
2	Open drain output	L6470 FLAG output
3	Ground	Ground
4	Supply	EXT_VDD (can be used as external logic power supply)
5	Digital output	SPI "Master In Slave Out" signal (connected to the L6470 SDO output through the daisy chain termination jumper JP2)
6	Digital input	SPI serial clock signal (connected to L6470 CK input)
7	Digital input	SPI "Master Out Slave In" signal (connected to L6470 SDI input)
8	Digital input	SPI slave select signal (connected to L6470 CS input)
9	Digital input	L6470 step-clock input
10	Digital input	L6470 STBY/RST input

**Table 4. Slave SPI connector pinout (J11)**

Pin number	Type	Description
1	Open drain output	L6470 BUSY/SYNC output
2	Open drain output	L6470 FLAG output
3	Ground	Ground
4	Supply	EXT_VDD (can be used as external logic power supply)
5	Digital output	SPI "Master In Slave Out" signal (connected to pin 5 of J10)
6	Digital input	SPI serial clock signal (connected to L6470 CK input)
7	Digital input	SPI "Master Out Slave In" signal (connected to L6470 SDO output)
8	Digital input	SPI slave select signal (connected to L6470 CS input)
9	Digital input	L6470 step-clock input
10	Digital input	L6470 STBY/RST input

Figure 2. EVAL6470PD - schematic

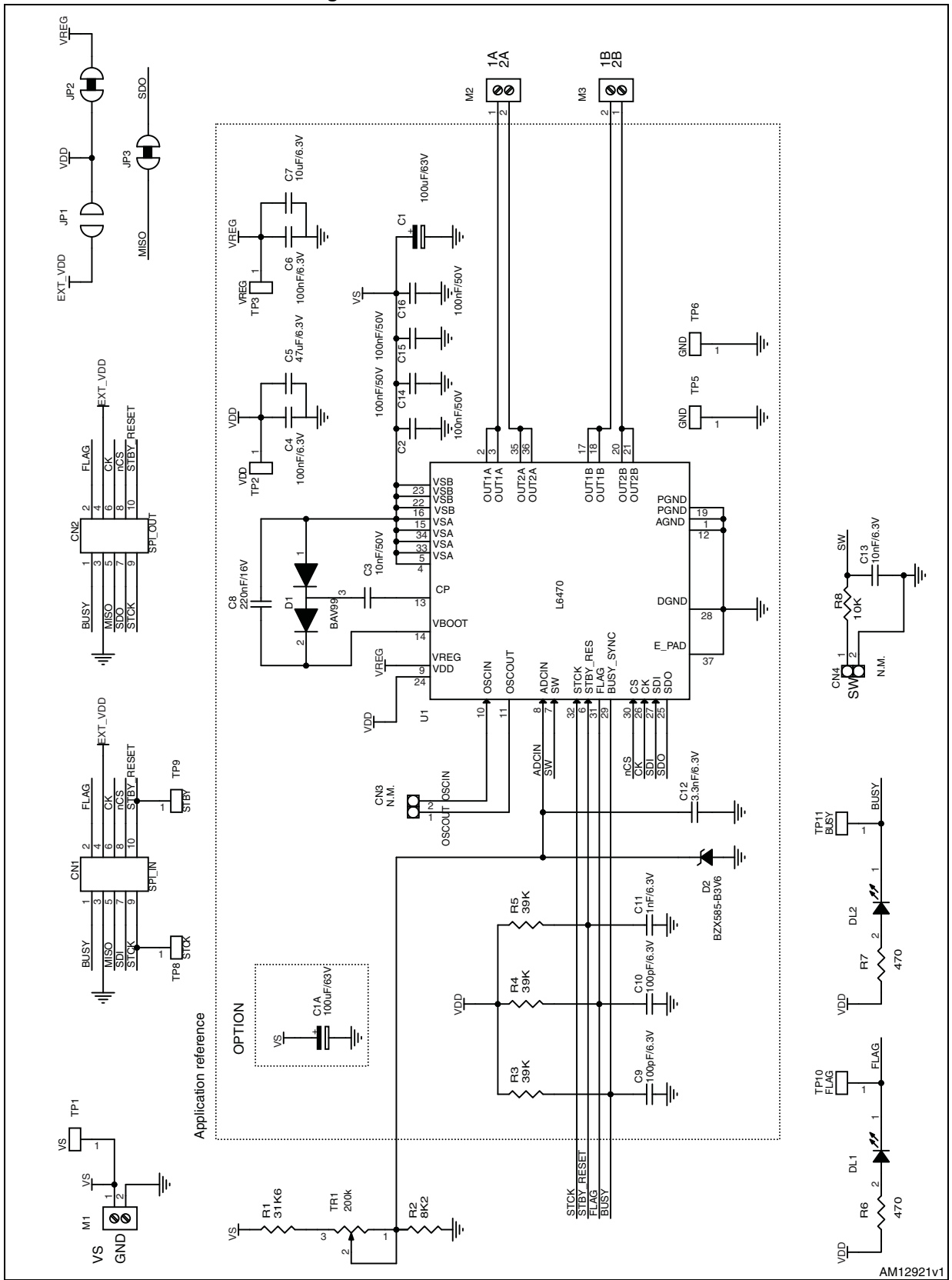
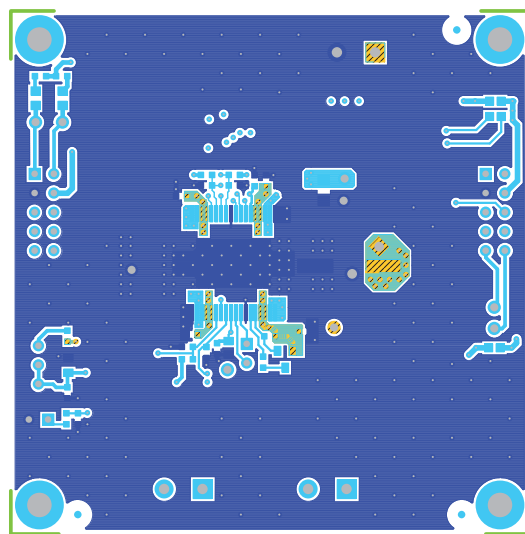


Table 5. EVAL6470PD - bill of material

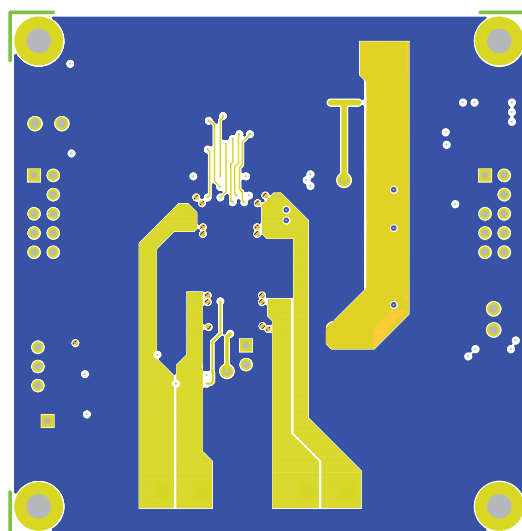
Index	Quantity	Reference	Value	Package
1	1	CN1	Pol. IDC male header vertical 10 poles (black)	CON-FLAT- 5 x 2- 180 M
2	1	CN2	Pol. IDC male header vertical 10 poles (gray)	CON-FLAT- 5 x 2 - 180 M
3	2	CN3, CN4	N.M.	STRIP254P-M-2
4	1	C1A	100 $\mu$ F/63 V (option)	CAPE-R10HXX-P5
5	1	C1	100 $\mu$ F/63 V	CAPES-R10HXX
6	4	C2, C14, C15, C1	100 nF/50 V	CAPC-0603
7	1	C3	10 nF/50 V	CAPC-0603
8	2	C4,C6	100 nF/6.3 V	CAPC-0603
9	1	C5	47 $\mu$ F/6.3 V	CAPC-1206
10	1	C7	10 $\mu$ F/6.3 V	CAPC-0805
11	1	C8	220 nF/16 V	CAPC-0603
12	2	C9, C10	100 pF/6.3 V	CAPC-0603
13	1	C11	1 nF/6.3 V	CAPC-0603
14	1	C12	3.3 nF/6.3 V	CAPC-0603
15	1	C13	10 nF/6.3 V	CAPC-0603
16	1	DL1	LED red	LEDC-0805
17	1	DL2	LED amber	LEDC-0805
18	1	D1	BAV99	SOT23
19	1	D2	BZX585-B3V6	SOD523
20	1	JP1	Jumper OPEN	JP2SO
21	2	JP2, JP3	Jumper CLOSED	JP2SO
22	3	M1, M2, M3	Screw connector 2 poles	MORSV-508-2P
23	1	R1	31.6 k $\Omega$	RESC-0603
24	1	R2	8.2 k $\Omega$	RESC-0603
25	3	R3, R4, R5	39 k $\Omega$	RESC-0603
26	2	R6, R7	470 k $\Omega$	RESC-0603
27	1	R8	10 k $\Omega$	RESC-0603
28	9	TP1, TP2, TP3, TP5, TP6, TP8, TP9, TP10, TP11	TPTH-RING-1MM	TPTH-RING-1MM
29	1	TR1	200 k $\Omega$	TRIMM -100 x 50 x 110 -64 W
30	1	U1	L6470	PowerSO36

Figure 3. EVAL6470PD - layout (top layer)



AM12923v1

Figure 4. EVAL6470PD - layout (inner layer 2)



AM12924v1

Figure 5. EVAL6470PD - layout (inner layer 3)

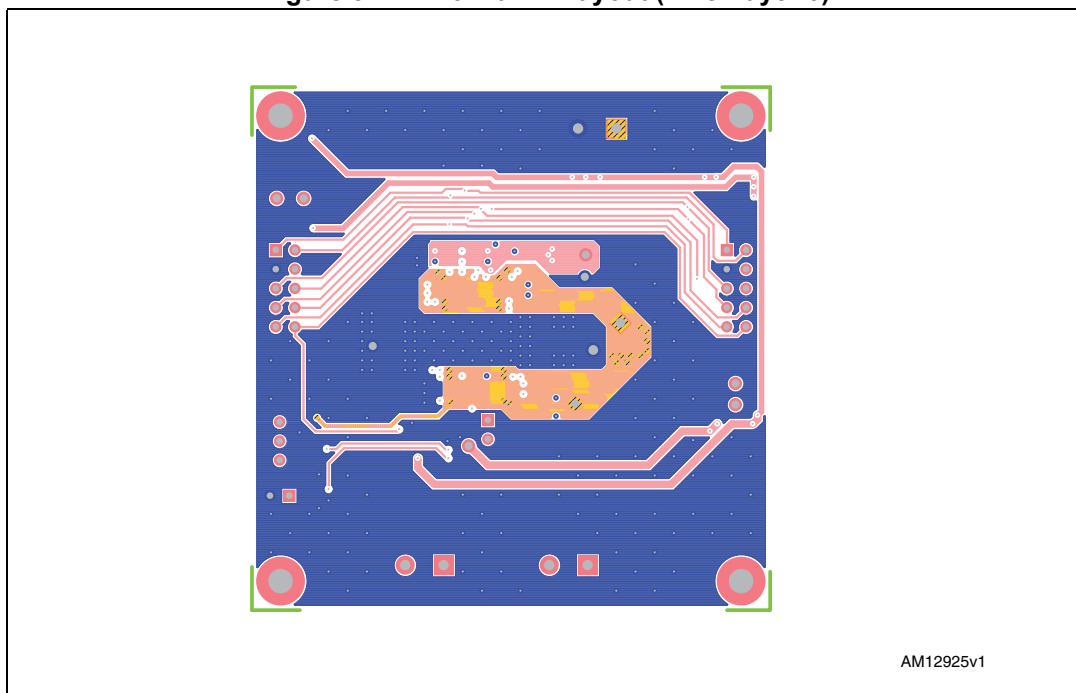
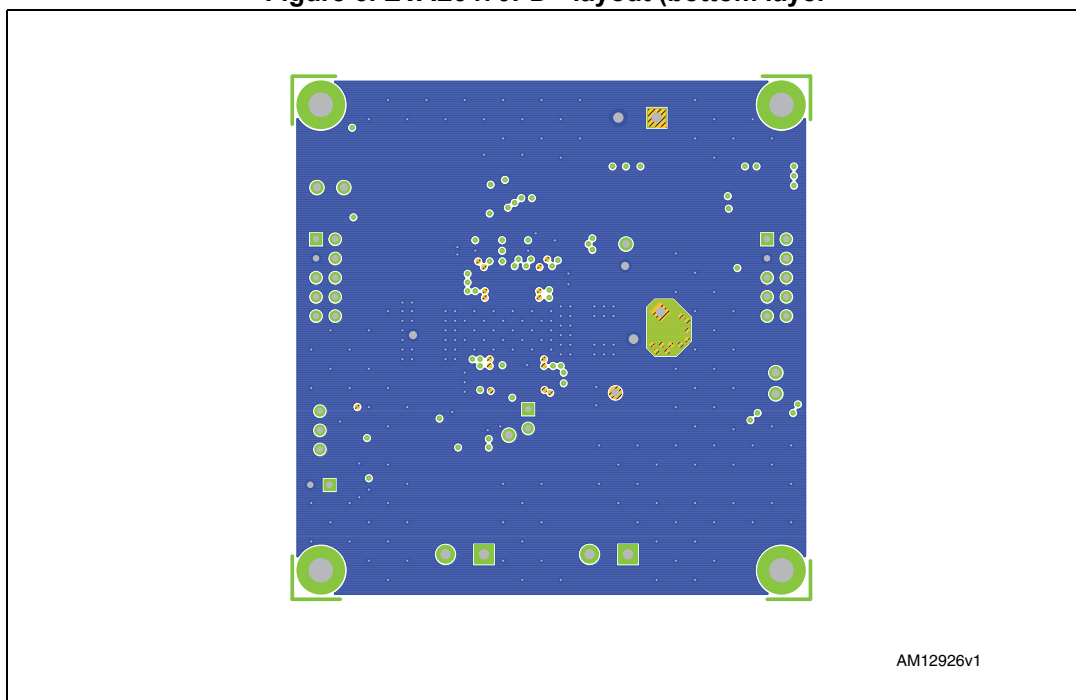


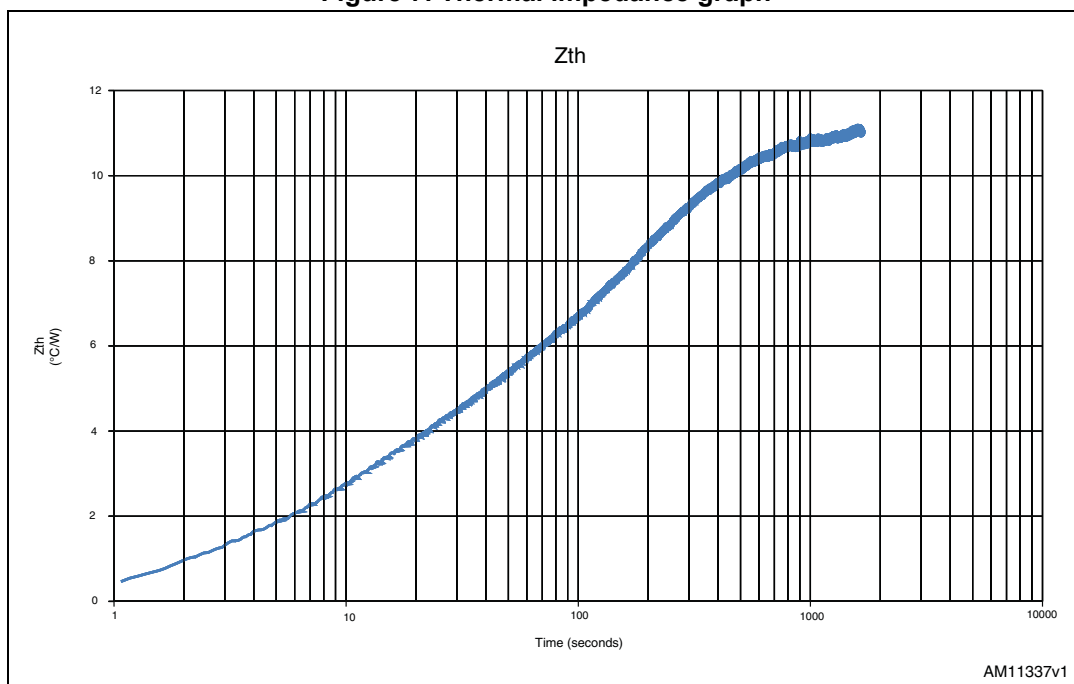
Figure 6. EVAL6470PD - layout (bottom layer)





### Thermal data

Figure 7. Thermal impedance graph



## Revision history

**Table 6. Document revision history**

Date	Revision	Changes
23-Dec-2011	1	Initial release.
31-May-2012	2	Updated: <a href="#">Figure 2</a> , <a href="#">Figure</a> , <a href="#">Figure 3</a> , <a href="#">Figure 4</a> , <a href="#">Figure 5</a> , <a href="#">Figure 6</a> . Updated TP9 (STBY/RES) function in <a href="#">Table 2</a> ; Updated pin 1 and pin 10 description both in <a href="#">Table 3</a> and in <a href="#">Table 4</a> . Updated <a href="#">Table 5: EVAL6470PD - bill of material</a> .
16-Mar-2015	3	Replaced “dSPIN” by “SPIN” in <a href="#">Section : Description on page 1</a> . Removed Figure 3. “EVAL6470PD - Layout (silk screen)” from page 7. Minor modifications throughout document.

**IMPORTANT NOTICE – PLEASE READ CAREFULLY**

STMicroelectronics NV and its subsidiaries ("ST") reserve the right to make changes, corrections, enhancements, modifications, and improvements to ST products and/or to this document at any time without notice. Purchasers should obtain the latest relevant information on ST products before placing orders. ST products are sold pursuant to ST's terms and conditions of sale in place at the time of order acknowledgement.

Purchasers are solely responsible for the choice, selection, and use of ST products and ST assumes no liability for application assistance or the design of Purchasers' products.

No license, express or implied, to any intellectual property right is granted by ST herein.

Resale of ST products with provisions different from the information set forth herein shall void any warranty granted by ST for such product.

ST and the ST logo are trademarks of ST. All other product or service names are the property of their respective owners.

Information in this document supersedes and replaces information previously supplied in any prior versions of this document.

© 2015 STMicroelectronics – All rights reserved

